

UNIMIG VIPER



MULTI185

Contents

1. Safety	3	7.3.1 Welding Parameters	52
2. Input Power Requirements	7	7.3.2 Advanced Welding Parameters	53
2.1 Circuit Breaker Recommendation	8	7.4 TIG Mode	54
2.2 Welding Cable Leads Recommendation	8	7.4.1 Welding Parameters	54
2.3 Extension Cord Data	9	7.4.2 Advanced Welding Parameters	55
2.4 Generator Power Data	9	7.5 MMA Mode	56
3. Package Contents	10	7.5.1 Welding Parameters	56
4. Technical Specifications	11	7.5.2 Advanced Welding Parameters	56
4.1 Machine Specifications	11	7.6 Job Menu	57
4.2 Equipment Identification	11	7.6.1 Saving a Job	57
4.3 Duty Cycle & Overheating	12	7.6.2 Loading a Job	57
4.4 Pinout	13	7.6.3 Deleting a Job	57
5. Machine Overview	14	7.7 Machine Settings Menu	58
5.1 Key Features	14	7.7.1 Settings Parameters	58
5.2 MIG Features	14	8. Maintenance	59
5.3 TIG Features	15	9. Troubleshooting	60
5.4 MMA Features	15	9.1 Machine Troubleshooting	60
5.5 Machine Layout	16	9.2 MIG Troubleshooting	60
6. Installation	17	9.3 TIG Troubleshooting	62
6.1 Connecting the MIG Torch	17	9.4 MMA Troubleshooting	63
6.2 Connecting a Spool Gun	19	9.5 Error Codes	64
6.3 Connecting the TIG Torch	20	10. General Welding Information	65
6.4 Connecting the MMA Electrode Holder	21	10.1 Metal Preparation	65
6.5 Connecting the Earth Clamp	22	10.2 Beveling	65
6.6 Connecting a Foot Pedal	25	10.3 External (Static) Characteristic Curves	66
6.7 Installing & Replacing the Drive Rollers	26	11. MIG Welding Guide	67
6.8 Removing & Installing the Guide Tube	27	12. TIG Welding Guide	74
6.9 Installing & Replacing the Wire	29	13. MMA Welding Guide	81
6.9.1 To Install a Wire Spool	29	14. Welding Settings Guides	84
6.9.2 Adjusting the Spool Hub Brake	32	14.1 TIG Mild Steel	84
6.9.3 To Remove the Wire Spool	32	14.2 TIG Stainless Steel	85
6.9.4 To Install a 100mm Wire Spool	33	15. Gas Selection	86
6.9.5 To Install a Wire Spool in the Spool Gun	34	15.1 MIG	86
6.10 Installing & Replacing the Torch Liner	38	15.2 TIG	86
6.10.1 Steel Liner	38	16. Welding Processes & Features Glossary	87
6.10.2 Aluminium Liner	41	17. MIG Torch & Consumables	90
6.11 Installing the Gas Bottle & Testing the Gas Flow	43	17.1 M26 Binzel Style MIG Torch	90
6.11.1 Testing the Gas Flow	44	17.2 M26 Binzel Style MIG Torch Consumables	91
6.12 Regulator Safety & Operation	45	18. Recommended Accessories	92
7. Operation	50		
7.1 Preparing for Operation	50		
7.2 Control Panel Layout & Operation	51		
7.3 MIG Mode	52		

1. Safety

Welding equipment can be dangerous to both the operator and people in or near the surrounding working area if the equipment is not correctly operated. Equipment must only be used under the strict and comprehensive observance of all relevant safety regulations.


Read and understand this instruction manual carefully for all system components, especially the safety instructions and warning notices before the installation and operation of this equipment.


Product specifications and features are subject to change without notice. While every effort has been made to provide accurate and current information at the time of publication, this manual is intended as a general guide and is not exhaustive regarding safety, welding, or the operation and maintenance of this unit. Due to the many variables in the welding field and the evolving nature of both the field and the UNIMIG product line, Welding Guns of Australia Pty Ltd. does not guarantee the accuracy, completeness, authority, or authenticity of the information in this manual or provided by any UNIMIG employee during conversations or business dealings. The product owner assumes all liability for its use and maintenance. Welding Guns of Australia Pty Ltd. does not warrant this product or this document for fitness for any particular purpose, performance, accuracy, or suitability of application. Furthermore, Welding Guns of Australia Pty Ltd. accepts no liability for injury or damages, whether consequential or incidental, resulting from the use of this product or from the content of this document, nor does it accept third-party claims of such liability.


Note:

- Observe the accident prevention regulations and any regional regulations.
- Safety and warning labels on the machine indicate any possible risks.
- Keep these labels clean and legible at all times.
- Technical changes due to further development in machine technology may lead to different welding behaviour.

Items in the manual that require particular attention in order to minimise damage and harm are indicated with the below symbols. Read these sections carefully and follow their instructions.

 **Note:** Gives the user a useful piece of information.

 **Caution:** Describes a situation that may result in damage to the equipment or system.

 **Warning:** Describes a potentially dangerous situation. If not avoided, it will result in personal damage or fatal injury.

Machine Operating Safety

- Do not switch the function modes while the machine is operating. Switching of the function modes during welding can damage the machine. Damage caused in this manner will not be covered under warranty.
- Disconnect the electrode holder cable from the machine before switching on the machine to avoid arcing should the electrode be in contact with the workpiece.
- Only qualified persons should install, operate, maintain, and repair this equipment.
- During operation, keep everyone, especially children, away.
- The machine conforms to equipment requirement A in the EMC requirement.
- Ensure the machine is secured upright to prevent tipping or falling over. Do not drop the machine.
- The machine should not exceed a 10° incline.
- Do not block the machine's vents.
- Sensible precautions must be taken to ensure safe transport at all times.
- The machine can be lifted by forklift or crane. Ensure the machine is securely fixed before lifting with a crane, as it is not equipped with anchor points.
- Only operate the machine in an ambient air temperature of -10°C - 40°C when welding, and -25°C - 55°C when not welding with no more humidity than 50% at 40°C or 90% at 20°C.
- Do not use the machine to thaw pipes.



Electric Shock

Electric shock can kill. Touching live electrical parts can cause fatal shocks or severe burns. The electrode and work circuit is electrically live whenever the output is on. The input power circuit and internal machine circuits are also live when power is on. In MIG/MAG welding, the wire, drive rollers, wire feed housing, and all metal parts touching the welding wire are electrically live. Incorrectly installed or improperly grounded equipment is dangerous.

- Connect the primary input cable according to Australian and New Zealand standards and regulations.
- Avoid all contact with live electrical parts of the welding circuit, such as sockets, tungstens and electrodes with bare hands.
- The operator must wear dry, hole-free welding gloves and body protection while they perform the welding task.
- The operator should keep the workpiece insulated from themselves.
- Keep cords dry, free of oil and grease, and protected from hot metal and sparks.
- Frequently inspect input power cable for wear and tear, and replace the cable immediately if damaged. Bare wiring is dangerous and can kill.
- Do not use damaged, undersized, or badly joined cables.
- Do not weld in the rain or in wet, moist, or damp areas.
- Do not drape cables over your body.
- Disconnect power source before servicing or maintaining this equipment.
- We recommend an RCD safety switch is used with this equipment to detect any leakage of current to earth.

⚠ DC voltage remains in the inverter power source after the removal of input power.



Arc Rays

Arc rays are harmful to your eyes and skin. Arc rays from the welding process produce intense visible and invisible ultraviolet and infrared rays that can burn eyes and skin.

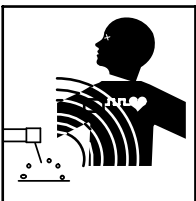
- Always wear an approved welding helmet with the correct shade of filter lens and suitable protective clothing, including welding gloves, while the welding operation is performed.

Recommended filter shades for arc welding

Less than 150A	Shade 10*
150A to 250A	Shade 11*
250A to 300A	Shade 12
300A to 350A	Shade 13
Over 350A	Shade 14

**Use one shade darker for aluminium.*

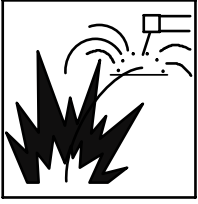
- Wear safety glasses under your helmet.
- Measures should be taken to protect people in or near the surrounding working area. Use protective screens or barriers to protect others from flash, glare and sparks; warn others not to watch the arc.
- Wear proper PPE and body protection made from durable, flame-resistant materials like leather.



Electro Magnetic Fields (EMF)

Magnetic fields can affect Implanted Medical Devices.

- Wearers of Pacemakers and other Implanted Medical Devices should keep away.
- Implanted Medical Device wearers should consult their doctor and the device manufacturer before going near any arc welding.



Fire Hazard

Welding on closed containers, such as tanks, drums, or pipes, can cause them to explode. Flying sparks from the welding arc, hot workpiece, and hot equipment can cause fires and burns. Accidental contact of the electrode with metal objects can cause sparks, explosions, overheating, or fire. Check and be sure the area is safe before doing any welding.

- Remove any flammable materials well away from the working area. Cover flammable materials and containers with approved covers if they cannot be moved from the area.
- Do not weld on closed containers or containers that have held combustible materials, such as tanks, drums, or pipes, unless they are correctly prepared according to the required Safety Standards to ensure that flammable or toxic vapours and substances are totally removed, these can cause an explosion even though the vessel has been “cleaned”.
- Vent hollow castings or containers before welding. They may explode.
- Do not weld where the atmosphere may contain flammable dust, gas, or liquid vapours (such as petrol).
- Have a fire extinguisher nearby and know how to use it.
- Be alert that welding sparks and hot materials from welding can easily go through small cracks and openings to adjacent areas.
- Be aware that welding on a ceiling, floor, bulkhead, or partition can cause a fire on the hidden side.
- Avoid welding on tire rims or wheels, as heating can cause tires to explode and repaired rims may fail.
- Attach the earth clamp as close as possible to the welding area to minimise the risk of electric shock, sparks, and fire hazards caused by the welding current travelling through long or unknown paths.
- When not in use, ensure the MMA electrode is removed from its holder.
- Before welding, remove any combustible items, like butane lighters or matches, from your person.
- Post welding, thoroughly inspect the area to ensure there are no lingering sparks, glowing embers, or flames.
- Always use the correct fuses or circuit breakers, and don't oversize or bypass them.
- Wear proper PPE and body protection made from durable, flame-resistant materials like leather.
- Read and understand the Safety Data Sheets (SDSs) and the manufacturer's instructions for adhesives, coatings, cleaners, consumables, coolants, degreasers, fluxes, and metals.



Hot Parts

Hot parts can burn. Items being welded can generate and hold high heat and can cause severe burns.

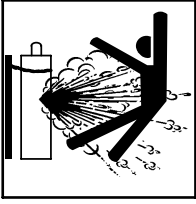
- Do not touch hot parts with bare hands.
- Allow a cooling period before working on the welding equipment.
- Use the proper tools and insulated welding gloves and clothing to handle hot parts and prevent burns.



Noise Hazards

The noise from some processes or equipment can damage hearing.

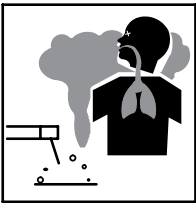
- Wear approved ear protection if the noise level is high.



Gas Cylinders

Shielding gas cylinders contain gas under high pressure. If damaged, a cylinder can explode. Because gas cylinders are usually part of the welding process, be sure to treat them carefully.

- Protect gas cylinders from excessive heat, mechanical shocks, physical damage, slag, open flames, sparks, and arcs.
- Ensure cylinders are secured upright to prevent tipping or falling over.
- Never allow the welding electrode, earth clamp, or electrical circuit to touch the gas cylinder, and don't drape welding cables over the cylinder.
- Never weld on a pressurised gas cylinder, it will explode and kill you.
- Open the cylinder valve slowly and turn your face away from the cylinder outlet valve and gas regulator. Stand to the side of the cylinder when opening the valve.
- Only use the correct gas, regulators, hoses, and fittings for your application and keep them in good condition.
- Keep full and empty cylinders separate.
- Keep ammonia-based leak detection solutions, oil and grease away from cylinders and valves.
- Never use force when opening or closing valves.
- Don't repaint or disguise markings and damage. If damaged, return cylinders immediately.
- When working with cylinders or operating cylinder valves, ensure that you wear appropriate protective clothing – gloves, boots and safety glasses.



Fumes & Gases

Fumes and gases are dangerous. Welding produces fumes and gases and breathing these fumes and gases can be hazardous to your health.

- Do not breathe the smoke and gas generated while welding. Keep your head out of the fumes.
- Keep the working area well-ventilated and use fume extraction or ventilation to remove welding fumes and gases.
- In confined or heavy fume environments, always wear an approved air-supplied respirator.
- Welding fumes and gases can displace air and lower the oxygen level, causing injury or death. Be sure the breathing air is safe.
- Do not weld in locations near degreasing, cleaning, or spraying operations. The heat and rays of the arc can react with vapours to form highly toxic and irritating gases.
- Materials such as galvanised, lead, or cadmium-plated steel contain elements that can give off toxic fumes when welded. Do not weld these materials unless the coating is removed, or the area is very well-ventilated and/or you are wearing an air-supplied respirator.
- Read and understand the Safety Data Sheets (SDSs) and the manufacturer's instructions for adhesives, coatings, cleaners, consumables, coolants, degreasers, fluxes, and metals.



Gas Buildup

The build-up of gas can cause a toxic environment and deplete the oxygen content in the air resulting in death or injury. Many gases used in welding are invisible and odourless.

- Shut off the shielding gas supply when not in use.
- Always ventilate confined spaces or use an approved air-supplied respirator.



PLEASE NOTE that under no circumstances should any equipment or parts be altered or changed in any way from the standard specification without written permission given by UNIMIG.

To do so will void the warranty.

2. Input Power Requirements

UNIMIG welding machines are designed and manufactured to conform to **IEC 60974** or **AS 60974** standards. This Standard covers the safety and performance requirements of welding power sources and plasma cutting systems. This includes the **machine**, the **input cable**, and the **plug** requirements like the size of the plug that should be used.

Maximum effective supply current (I_{eff}) according to AS 60974.1

$$I_{\text{eff}} = \sqrt{I_1^2 \times X + I_0^2(1-X)}$$

- I_0 Rated no-load supply current
- I_1 Rated supply current
- X Rated duty cycle

The I_{eff} identifies the appropriate plug, input cable, and input current necessary for each device.

	Min-Max Cable Size
$I_{\text{eff}} \leq 10A$	1.5-2.5mm ²
$I_{\text{eff}} \leq 15A$	1.5-4.0mm ²
$I_{\text{eff}} \leq 25A$	2.5-6.0mm ²
$I_{\text{eff}} \leq 32A$	4.0-10.0mm ²

⚠ Don't risk damage to your machine or cause tripping and/or fire by using the wrong input current, cable or plug. Don't tamper with the plugs or file down earth pins. Doing so will void your warranty.

For your safety, UNIMIG meets the AS/NZS Standards for safe electrical compliance

All UNIMIG machines undergo an independent certification process to meet Australian and New Zealand regulations regarding electrical safety.



The triangle-circle-tick (RCM) symbol signifies that UNIMIG has taken the necessary steps to have the product comply with the electrical safety and/or electromagnetic compatibility (EMC) legislative requirements as specified by the Electrical Regulatory Authorities Council (ERAC). For your safety, please check for this symbol before buying any welding machine in Australia and New Zealand.

Depending on the specific machine, it may be necessary for UNIMIG to use a 32A single-phase plug. This is to make sure that the input supply plug and lead remain cool and do not overheat when the machine operates at its maximum capacity.

Check the rating plate on your machine

All welding machines that comply with **IEC 60974** or **AS 60974** must have a data plate similar to the one shown.

Welding machines draw some current when not welding, a higher current when welding, and a surge current when initiating an arc.

The effective rated primary current (I_{eff}) combines the conductor heating due to these levels of current. I_{eff} is the maximum rated effective supply current that determines the minimum plug and input cable rating as well as the minimum capacity of the input circuit that the machine gets plugged into to safely operate the machine.

Look for the I_{eff} on the welding machine's rating plate and ensure that you have the correct input circuit to support this power draw.

Example: If the I_{eff} rating on your machine is 27A then you must use a 32A plug, as a 15A plug is undersized for the welding current being used and may cause the cable to overheat.

UNIMIG	
Welding Guns of Australia Pty Ltd Address: 112 Christina Rd Villawood NSW 2163 AUSTRALIA	
VIPER MULTI 185 U11260	MIG/MAG Inverter Welder
AS 60974.1:2020 IEC 60974-1	
	30A / 15.5V ~ 185A / 23.3V
	X 10% 60% 100%
	I ₂ 185A 77A 60A U ₂ 23.3V 17.8V 17V
	20A / 10.8V ~ 185A / 17.4V
	X 10% 60% 100%
	I ₂ 185A 77A 60A U ₂ 17.4V 13.1V 12.4V
	20A / 20.8V ~ 180A / 27.2V
	X 10% 60% 100%
	I ₂ 180A 75A 60A U ₂ 27.2V 23V 22.4V
	MIG I _{max} =27A I _{eff} =8.6A
	TIG I _{max} =17A I _{eff} =5.5A
	MMA I _{max} =24.5A I _{eff} =7.8A
1~50/60Hz IP21S	U ₁ =240V Insulation class: H

How important is the correct input cable and plug on a welding machine?

The size of the plug depends on the above formula, which uses the maximum current draw as well as the duty cycle of the power source. The use of any welding power source will not only cause the machine itself to heat up but the input cable, plug, and mains power as well.

That’s why it’s important to understand input and output currents and to make sure that the input circuit is correctly rated to supply the required input draw. This allows the machine to operate at or near maximum output and protects the circuit board from tripping, overheating and/or catching fire.

What if I don’t have a 240volt 15amp or 32amp outlet?

If you don’t have a suitable power outlet, you should contact a qualified electrician to advise whether the wiring in your building will cater for a 15amp or 32amp outlet. You may also need to upgrade your circuit breakers and possibly switchboard to suit. Failure to do this may cause an electrical fire in the building which may void insurances.

Make sure you:

- ✓ Use the correct input current cable and plug in accordance with **AS 60974.1** for your safety and to get the maximum performance from your welding machine.
- ✓ Inspect cables and plugs regularly.
- ✓ Contact a qualified electrician for advice and/or upgrade and, if needed, to replace any damaged plugs or cables.

2.1 Circuit Breaker Recommendation

The maximum input current (I_{max}) will determine the size of the circuit breaker that should be installed in order to run the machine continuously without risk of voltage drops from the circuit breaker to the plug outlet.

The recommended circuit breaker for this machine is 32A.

i This recommendation is distinct from the effective current (I_{eff}), which dictates the size of the input plug.

2.2 Welding Cable Leads Recommendation

Welding cables are crucial electrical conductors for the welding current. The appropriate thickness of the welding cable is dictated by the machine’s maximum amperage and the length of cable needed. It is essential that both the earth clamp and the electrode holder are equipped with adequately sized welding cable leads to maintain effective operation.

Current (A)	Duty Cycle (%)	Lead thickness (mm ²) based off combined lengths of electrode and earth cable				
		Up to 15m	16-30m	31-45m	46-60m	61-75m
125	30	10	16	25	35	50
150	40	10	16	25	35	50
180	30	25	25	35	50	50
200	60	35	35	35	50	50
225	30	25	25	50	50	50
250	30	25	25	50	50	50
275	60	50	50	50	70	95
300	60	50	50	70	70	95
350	60	50	50	70	95	120
400	100	70	70	95	95	120
500	100	70	95	95	95	120

2.3 Extension Cord Data

See the table below as a guide based on the minimum necessary input power (in this case, 20A):

Cord thickness/Cable size (mm ²)	Maximum length of cord (m)
2.5	30
4.0	50

Using an extension lead that is too small, or using it over a longer distance than recommended, will lead to voltage drops and cause problems with power supply.

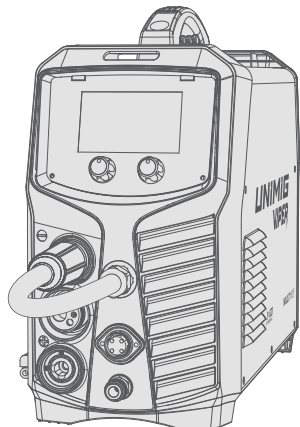
⚠ Not following these recommendations can cause insufficient power, which can lead to unstable arc behaviour, reduced penetration, and poor weld quality.

2.4 Generator Power Data

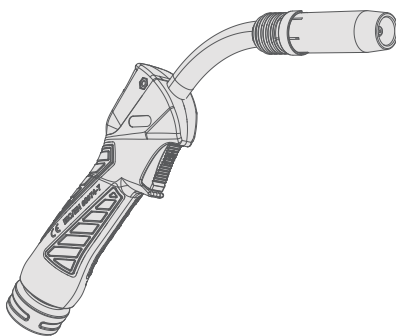
Operate this unit only with clean power generators that provide a surge capacity of 10,000 watts or more. The generator should limit Total Harmonic Distortion (THD) to 5% or below, as this level of THD is deemed 'clean' and comparable to conventional shop power. Usage of generators that don't meet the clean power standard (5% or lower THD) is not recommended.

⚠ Not following these recommendations can cause insufficient power, which can lead to unstable arc behaviour, reduced penetration, and poor weld quality. In some instances it can also cause damage to your equipment.

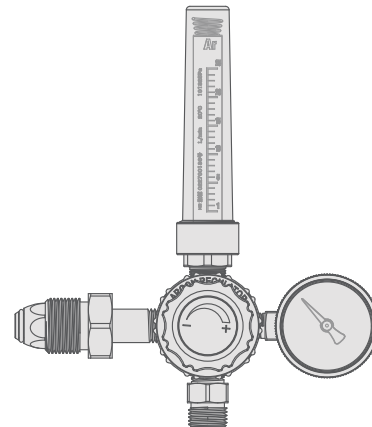
3. Package Contents



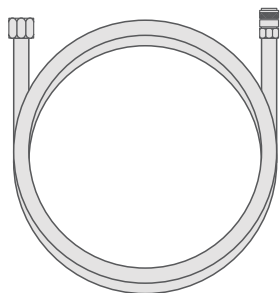
VIPER MULTI 185 Welder



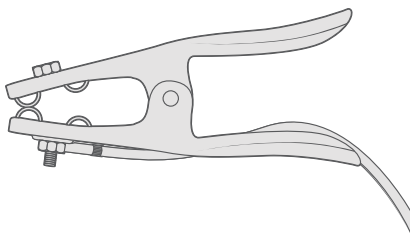
3m M26 MIG Torch



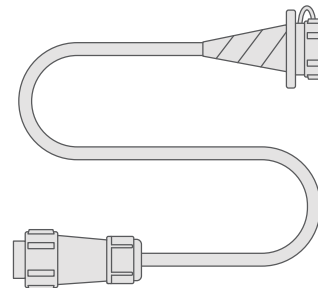
Dual Stage Flowmeter



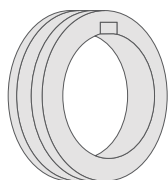
Quick-Connect Gas Hose



200A Earth Clamp



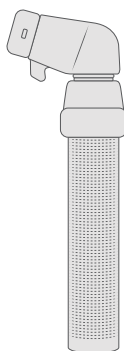
9-to-9 Pin TIG Torch Adapter



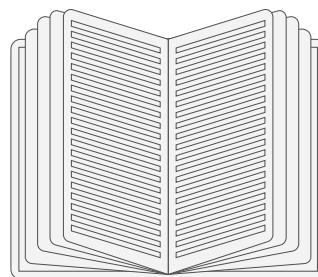
Includes:

- 0.8-0.9mm V Groove Roller
- 0.8-0.9mm F Groove Roller
- 1.0-1.2mm U Groove Roller

Drive Rollers



400A Electrode Holder



Manual

4. Technical Specifications

4.1 Machine Specifications

Technical Data

Parameter	Values
SKU	U11260
Primary Input Voltage	240V Single Phase 50/60Hz
Supply Plug	10A
I _{eff} (A)	8.6
I _{max} (A)	27
Rated Output	20-185A
No Load Voltage (V)	67.0
Protection Class	IP21S
Insulation Class	H
Minimum Generator (kVA)	9
Dinse Connector	35/50
Standards	AS 60974.1
Welds	<p>MIG: Mild Steel, Stainless Steel, Aluminium, Silicon Bronze</p> <p>MMA: Mild Steel, Stainless Steel, Cast Iron</p> <p>TIG: Mild Steel, Stainless Steel, Copper, Silicon Bronze, Titanium</p>
Warranty (Years)	3

MIG Specifications

Parameter	Values
MIG Welding Current Range	30-185A
MIG Duty Cycle @ 40°C	10% @ 185A 60% @ 77A 100% @ 60A
MIG Wire Size Range	0.6-1.0mm
MIG Wire Spool Size	1kg (100mm) / 5kg (200mm)
MIG Welding Thickness Range	1-10mm
Drive Roller Size	30/22

TIG Specifications

Parameter	Values
TIG Function Type	DC High-Frequency TIG
TIG Welding Current Range	20-185A
TIG Duty Cycle @ 40°C	10% @ 185A 60% @ 77A 100% @ 60A
TIG Welding Thickness Range	1-6mm

MMA Specifications

Parameter	Values
STICK Welding Current Range	20-180A
STICK Duty Cycle @ 40°C	10% @ 180A 60% @ 75A 100% @ 60A
STICK Electrode Range	2.5-4.0mm
STICK Welding Thickness Range	2-10mm

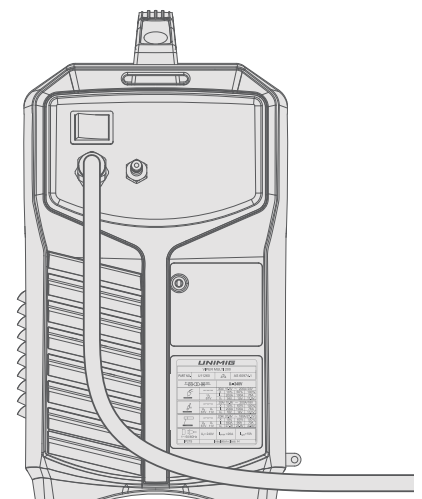
Size & Weight

Parameter	Values
Dimensions (mm)	523x214x388mm
Weight (kg)	13.5kg

4.2 Equipment Identification

Serial Number

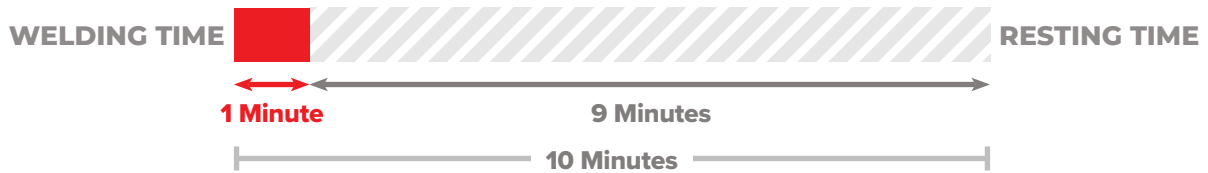
The serial number of the device is marked below the data plate on the back of the machine. It is important to make correct reference to the serial number of the product when ordering spare parts or making repairs, for example.



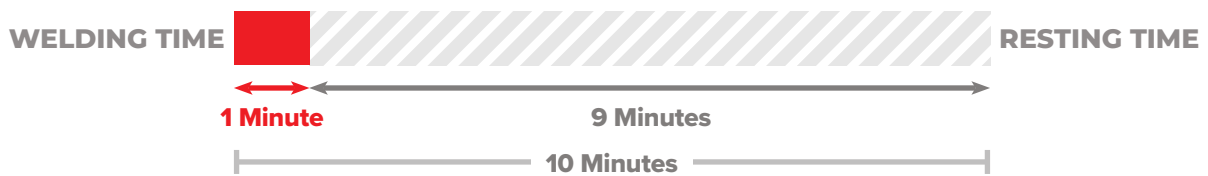
4.3 Duty Cycle & Overheating

The duty cycle is how long a machine can continuously weld at a selected amperage over a 10-minute period before the thermal overload protection kicks in.

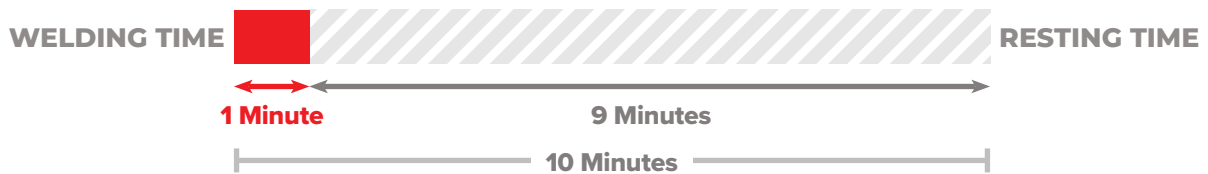
MIG - 10% @ 185A, at 40°C ambient temperature



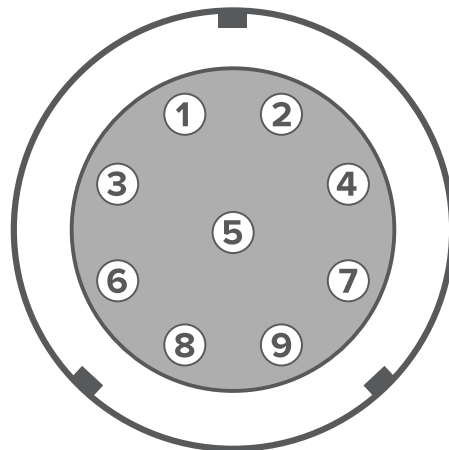
TIG - 10% @ 185A, at 40°C ambient temperature



MMA - 10% @ 180A, at 40°C ambient temperature



4.4 Pinout



PIN Number	Standard Spool Gun Torch Connection
1	Spool Gun Motor (-)
2	Spool Gun Motor (+)
3	Spool Gun Potentiometer Max
4	Spool Gun Potentiometer Min
5	Spool Gun Potentiometer Common

5. Machine Overview

5.1 Key Features

4.3" Colour LCD Interface

Change settings with ease with the intuitive controls and next-generation user interface.

Smart Fan

Smart Fan diminishes noise, saves power, helps reduce energy costs, and minimises the number of contaminants being pulled through the machine.

Power Factor Correction (PFC)

Get the most out of your machine. The PFC maximises the electrical efficiency of the machine and automatically compensates for any voltage fluctuations, so you get more output power and the internal components last longer.

Job Memory

The job memory function allows you to enter and store weld parameter settings. Weld parameters can be further adjusted and stored as required. A total of 10 Jobs can be memorised and stored for recall.

Generator Compatible

Going off the grid? The VIPER MULTI 185 can be connected to a generator, we recommend one with at least 9kVA.

IP21S Rating

Rated IP21S, so it's protected from touch by fingers and objects greater than 12mm, and water spray from a vertical direction.

Foot Control Ready

Enjoy greater control and precision with our optional foot control accessory. This handy feature allows you to easily adjust your TIG amperage on the fly, without interrupting your torch movement.

5.2 MIG Features

Single Pulse MIG

Less spatter. Lower heat. Smoother results. Streamline your welds with the single pulse functions.

A single pulse weld alternates between a peak and base current, which works to minimise the amount of heat input without compromising on any of the penetration. The addition of a base current and reduction in heat means it's perfect for softer materials like aluminium. Pulse welding is also done by spray transfer, eliminating spatter and cutting your post-weld clean-up time.

MIG Smart-Set

Setting up for a weld has never been easier, just set your wire material and size, gas, and joint type and you're ready to weld!

Complete MIG Weld Cycle Control

Get complete control over your MIG welds with a full set of adjustable parameters, such as pre- and post-gas flow, inductance, and burnback.

Spool Gun Ready

Make welding aluminium even easier. No need to change your existing setup. The spool gun lets you quickly switch over and get any job done with no downtime.

Adjustable Arc Length

Get absolute precision on your settings. The adjustable arc length allows you to increase or decrease the preselected voltage while in synergic and pulse MIG modes.

Burnback Adjustment

Stop your wire from ever fusing with your weld or your contact tips again. Tune your burnback control to suit how much wire you want to remain sticking out from your torch when you finish a weld.

Gas-Shielded & Gasless Wires

This machine supports both gas-shielded MIG and gasless MIG, meaning you can run mild steel, stainless steel, aluminium as well as flux-cored MIG wires.

Inductance Control

Change the frequency of your short circuit MIG welds with the Inductance settings, so you can choose your preferred arc characteristics.

Digital Geared Wire Drive

Experience unparalleled accuracy with our Digital Geared Wire Drive system. Designed to sustain a consistent arc in varying conditions and with different wire types, it ensures an accurate wire feed speed. With this system, achieving precision in every welding task is effortless.

5.3 TIG Features

Pulse TIG

Minimise the heat input without compromising on any of the penetration. Alternating between a peak and base current reduces the amount of heat input and focuses the arc, perfect for sheet metals and out-of-position welding.

TIG Smart-Set

The easiest way to set up for a TIG weld, simply set your filler material, joint type, tungsten diameter, material thickness, and gas and you're good to go!

High-Frequency TIG

Maximise your results from start to finish. A high-frequency torch can start an arc without contacting the workpiece, reducing the risk of contaminating the tungsten or the weld. It also means you get access to the entire TIG weld cycle, including pre- and post-gas and up and down slope parameters.

5.4 MMA Features

Hot Start

The Hot Start feature gives a boost of current at the beginning of your weld, stabilising your ignition and eliminating any issues with striking an arc, especially on difficult electrodes.

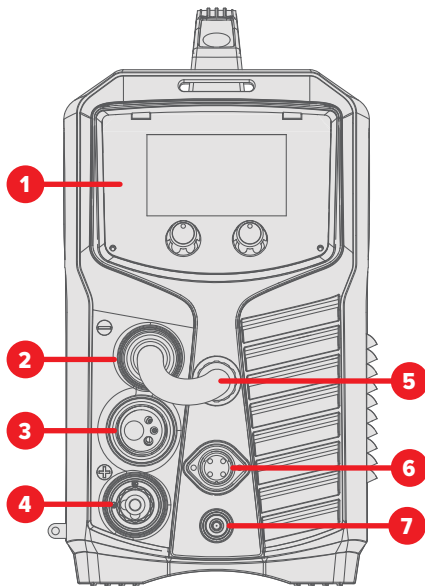
Arc Force

The Arc Force feature helps to keep the arc stabilised throughout the weld, by increasing or decreasing the peak current to compensate for your arc length, preventing the arc from cutting out or the electrode from sticking.

Anti Stick

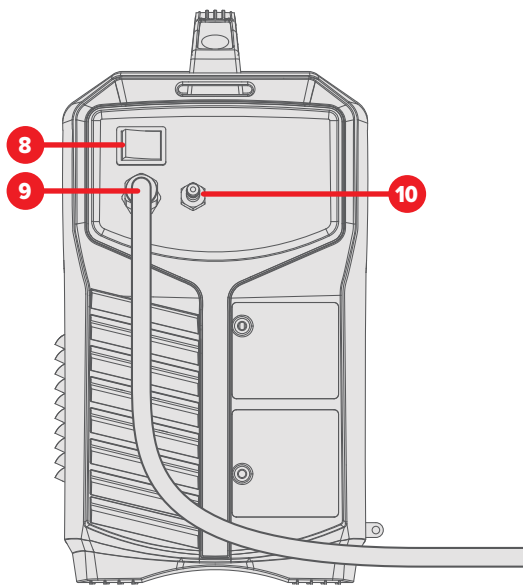
The Anti Stick feature, which is always on, prevents your electrode from sticking to your workpiece. When the machine detects sticking, the current will drop significantly, so the electrode can be removed.

5.5 Machine Layout



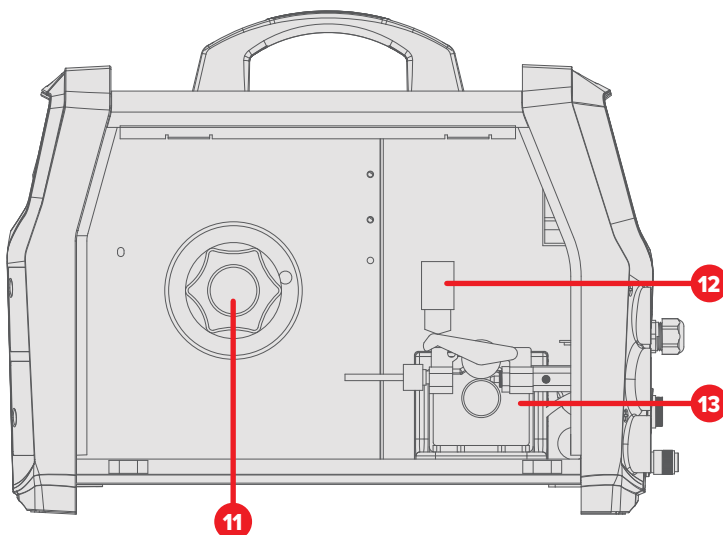
Front Panel Layout

- 1. Display Panel
- 2. Negative Dinse Connector (-)
- 3. Euro Connection
- 4. Positive Dinse Connector (+)
- 5. Polarity Cable
- 6. 9 Pin Outlet
- 7. Gas Outlet



Back Panel Layout

- 8. Power Switch
- 9. Power Cable
- 10. Gas Inlet



Interior Layout

- 11. Spool Holder
- 12. Tension Knob
- 13. Geared Wire Drive

6. Installation

⚠ Don't connect the equipment to the wall socket/mains supply before the installation is complete.

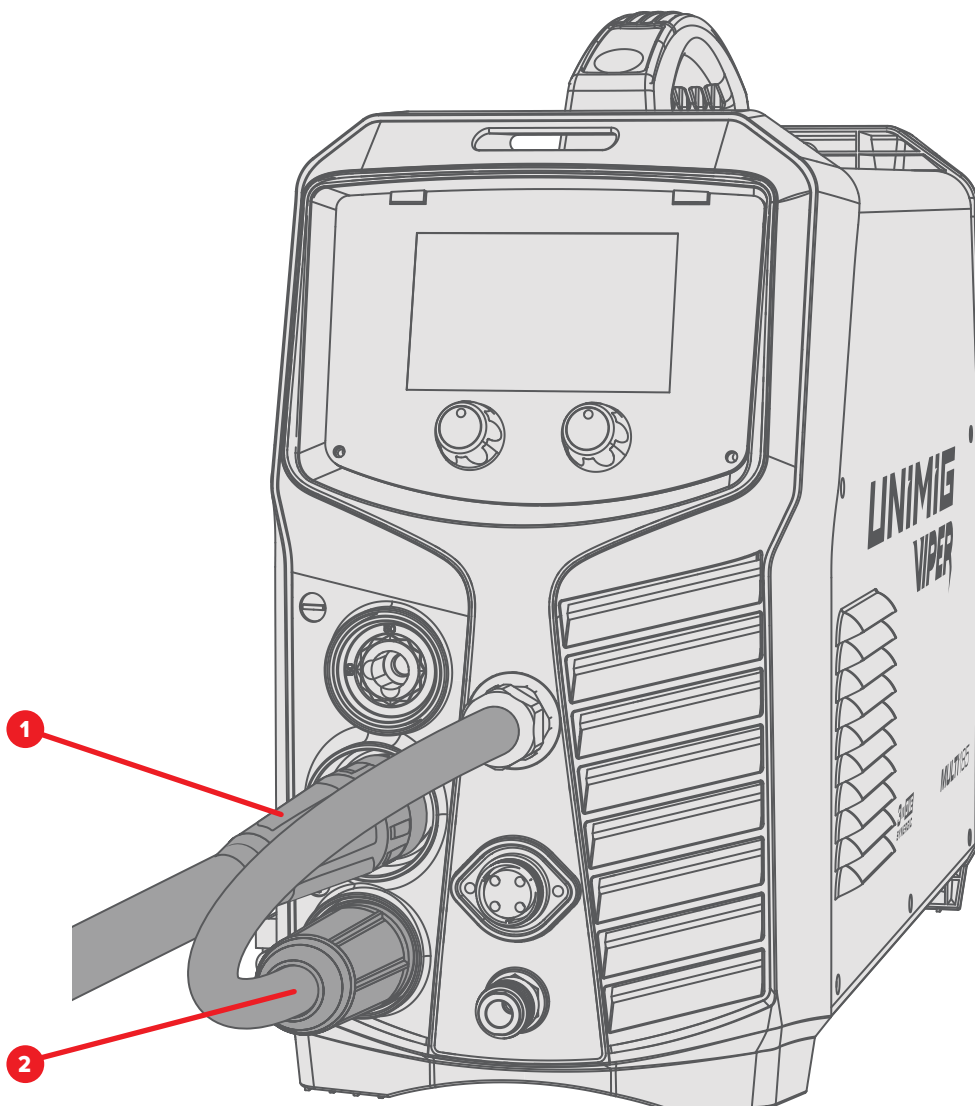
⚠ Don't modify the equipment in any way except for the changes and adjustments covered in the manufacturer's instructions.

ℹ Place the machine on a horizontal, stable and clean ground. Check that there is enough space for cooling air circulation in the machine's vicinity. Don't cover the machine's ventilation as it could overheat.

6.1 Connecting the MIG Torch

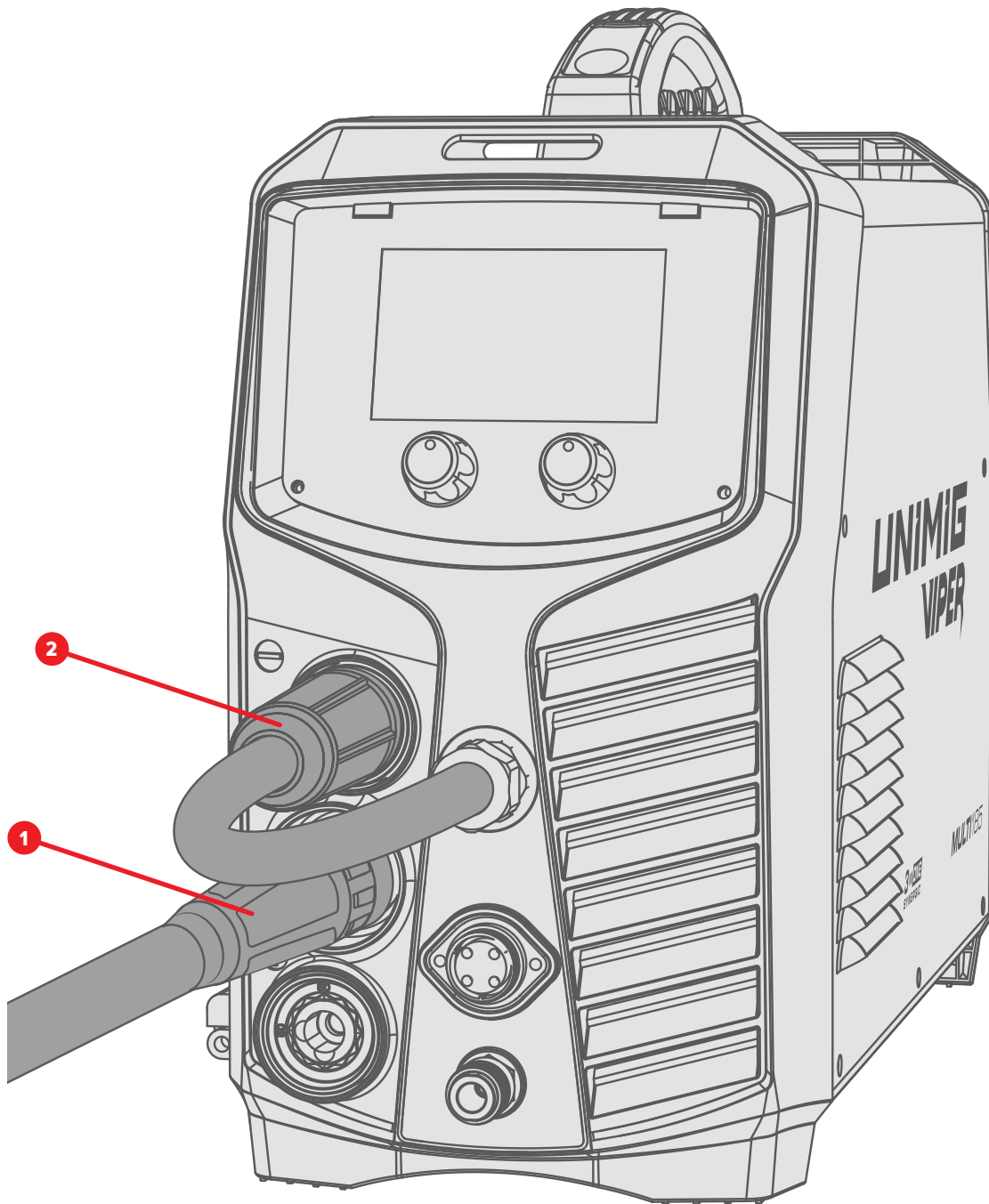
For Gas-Shielded MIG

1. Connect the MIG torch to the Euro connection, and twist to lock it in place.
2. Connect the dinse plug into the positive (+) dinse connection on the front of the machine.



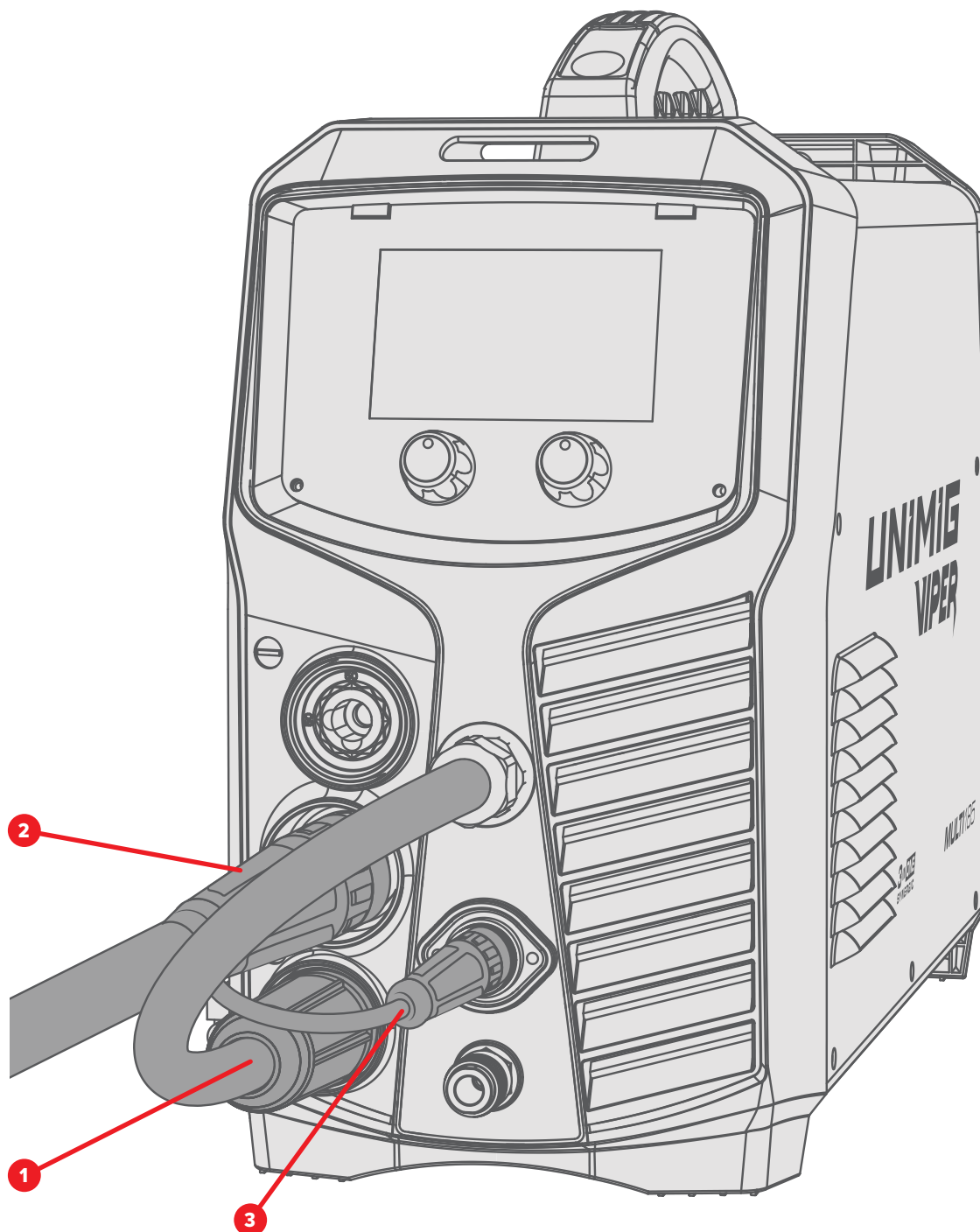
For Gasless MIG

1. Connect the MIG torch to the Euro connection, and twist to lock it in place.
2. Connect the dinse plug into the negative (-) dinse connection on the front of the machine.



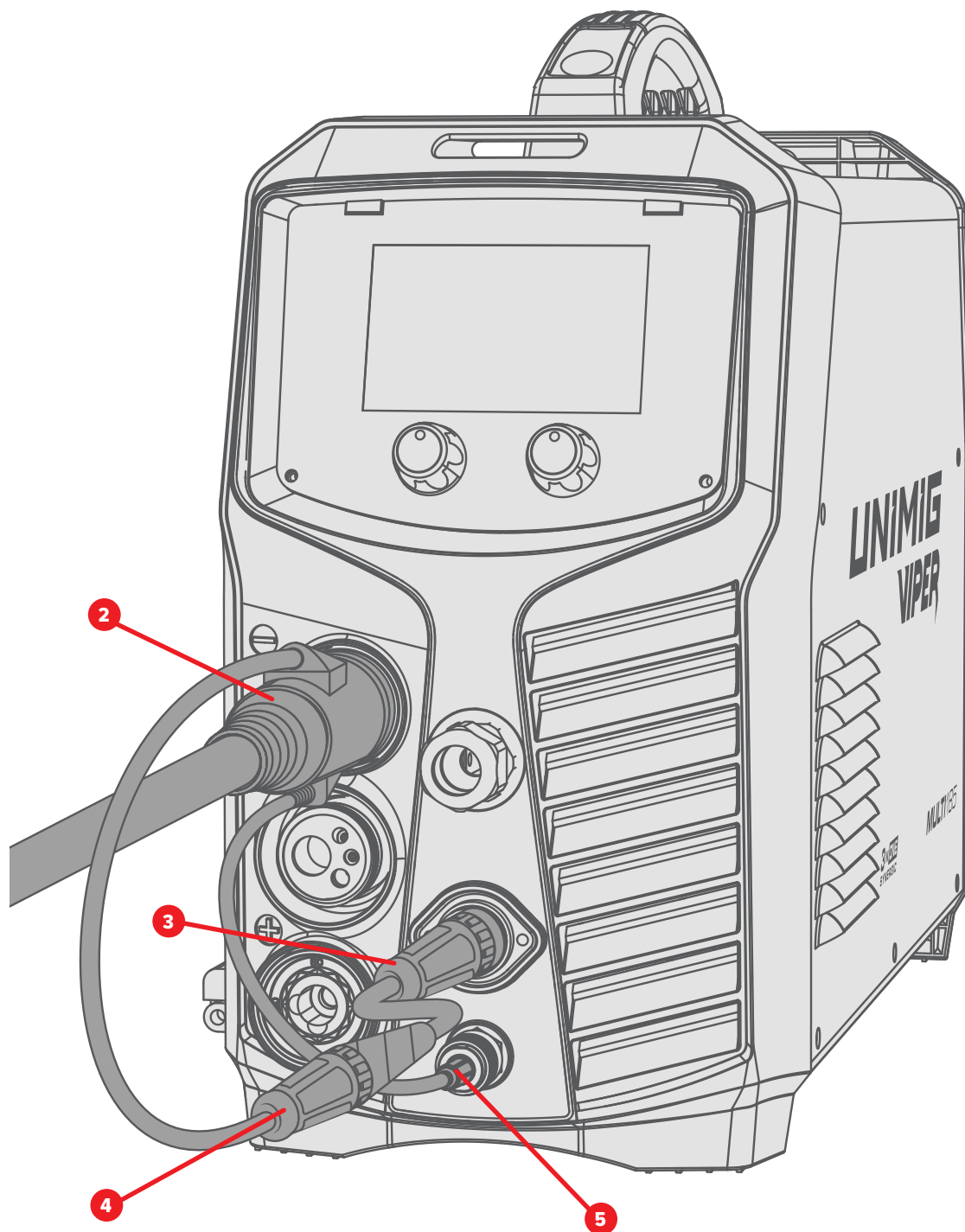
6.2 Connecting a Spool Gun

1. Connect the dinse plug into the positive (+) dinse connection on the front of the machine.
2. Connect the spool gun into the Euro connection and twist the end to secure it in place.
3. Insert the spool gun control cable into the pin socket.
4. Select Spool Gun in the MIG Mode menu on the screen (see "7.3 MIG Mode" on page 52).



6.3 Connecting the TIG Torch

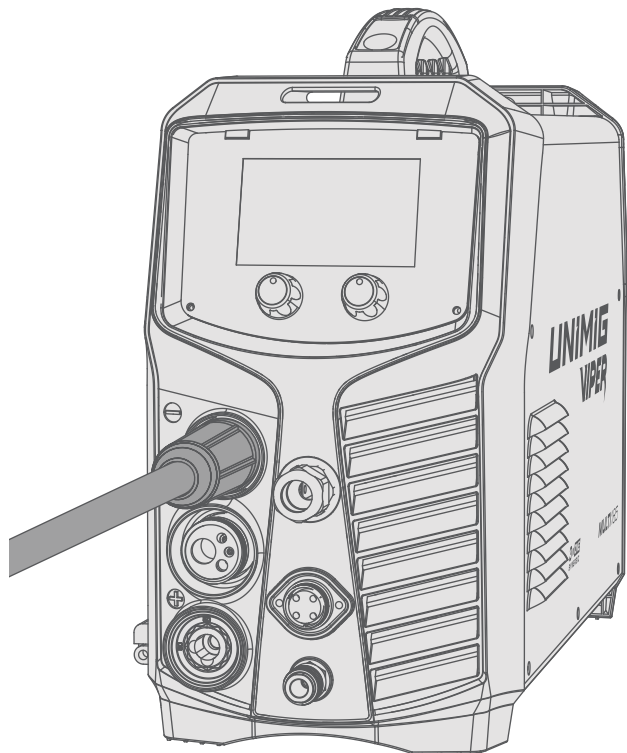
1. Assemble the TIG torch.
2. Connect the TIG torch to the negative (-) dinse connection, and twist to lock it in place.
3. Plug the 9-to-9 pin torch adapter into the machine.
4. Plug the torch connector into the torch adapter socket.
5. Plug the gas connector into the gas outlet.



6.4 Connecting the MMA Electrode Holder

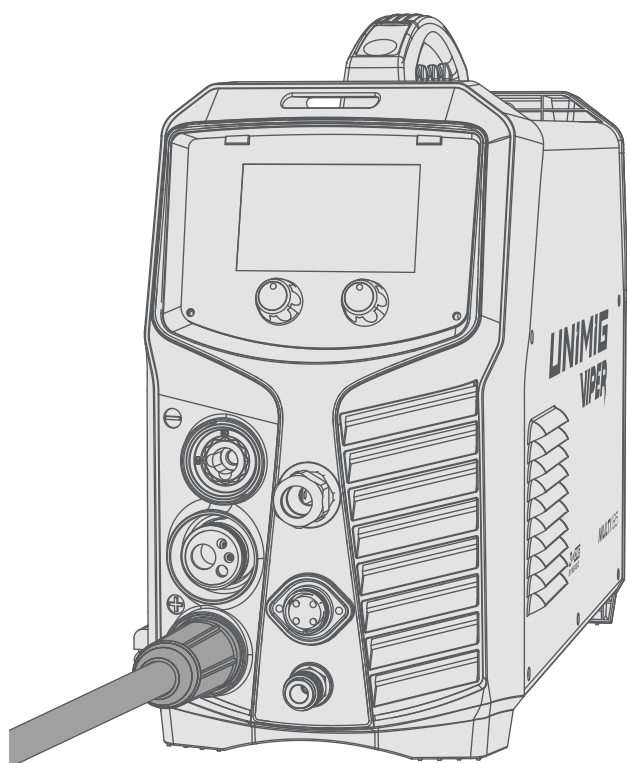
DCEN

For DC- electrodes, connect the electrode holder to the negative (-) dinse connection, and twist to lock it in place.



DCEP

For DC+ electrodes, connect the electrode holder to the positive (+) dinse connection, and twist to lock it in place.

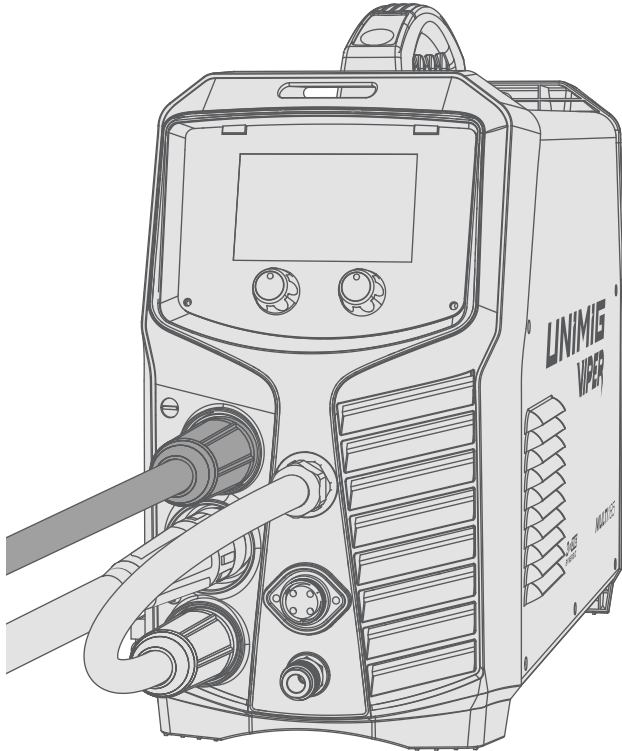


6.5 Connecting the Earth Clamp

MIG

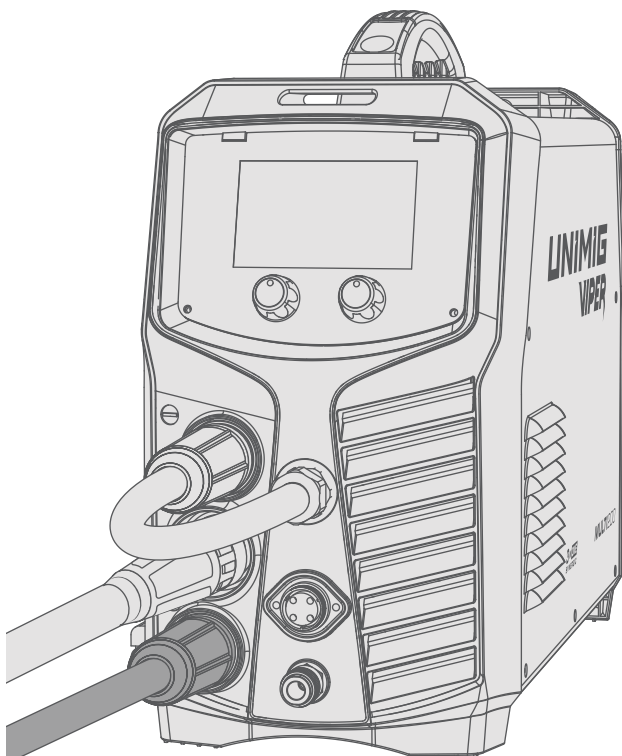
Gas-Shielded

For gas-shielded MIG, connect the earth clamp to the negative (-) dinse connection.



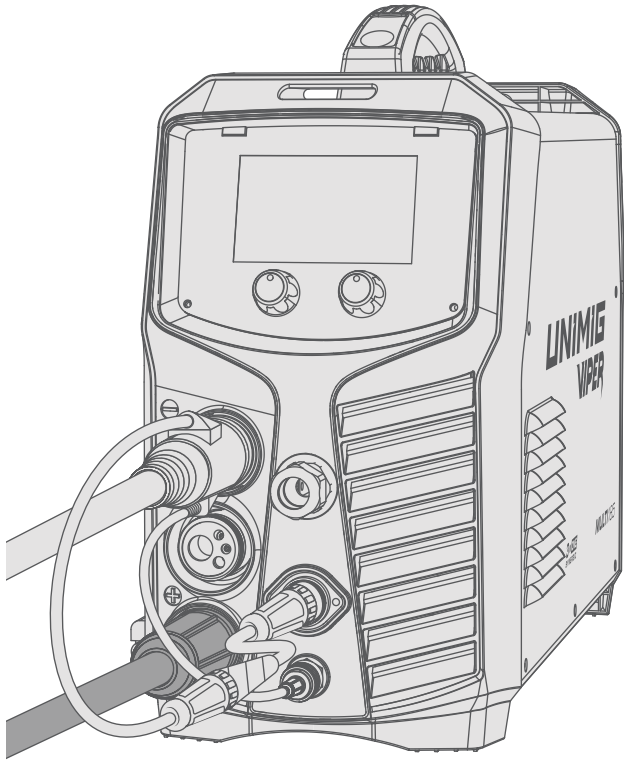
Gasless

For gasless MIG, connect the earth clamp to the positive (+) dinse connection.



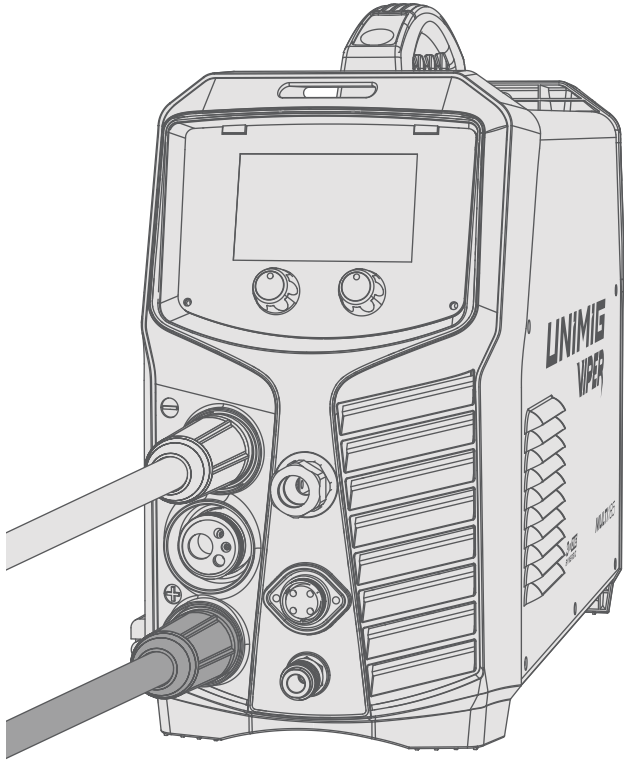
TIG

For TIG, connect the earth clamp to the positive (+) dinse connection, and twist to lock it in place.

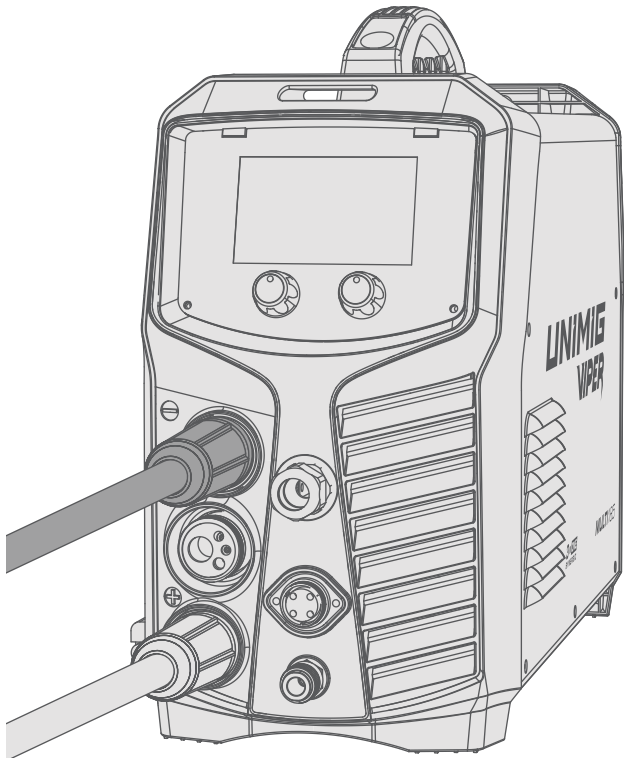


MMA**DCEN**

For DC- MMA electrodes, connect the earth clamp to the positive (+) dinse connection, and twist to lock it in place.

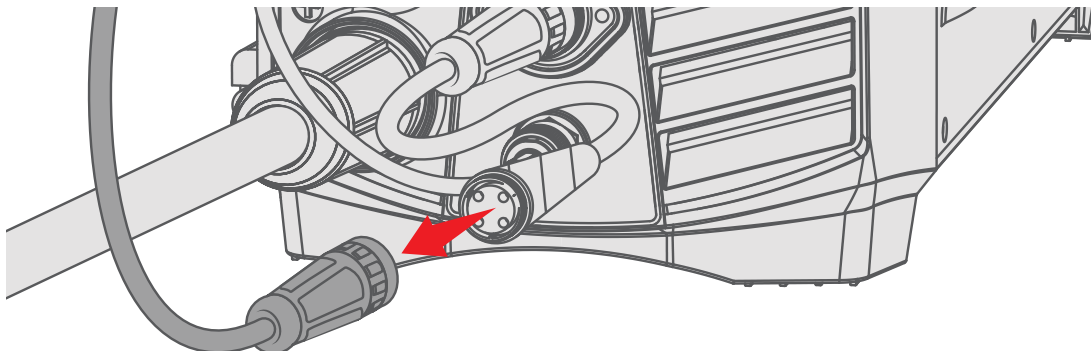
**DCEP**

For DC+ MMA electrodes, connect the earth clamp to the negative (-) dinse connection, and twist to lock it in place.

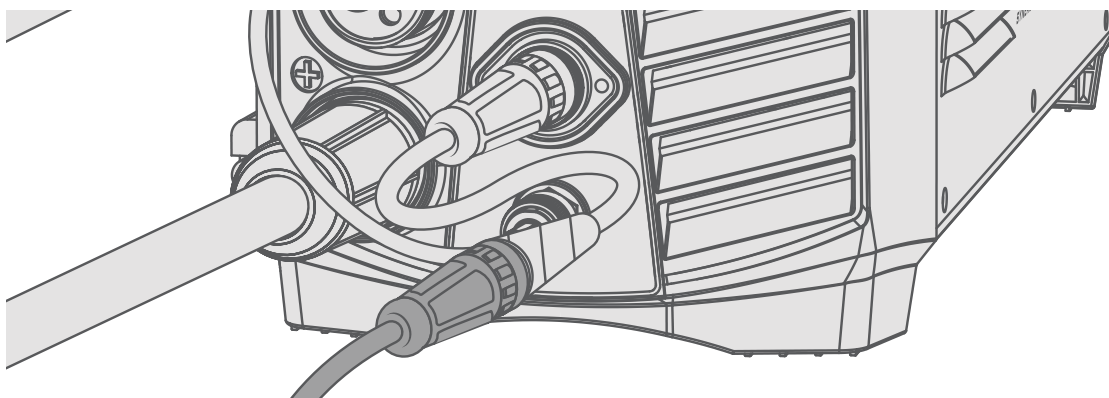


6.6 Connecting a Foot Pedal

1. If connected, disconnect the TIG torch connector cable from the pin adapter.

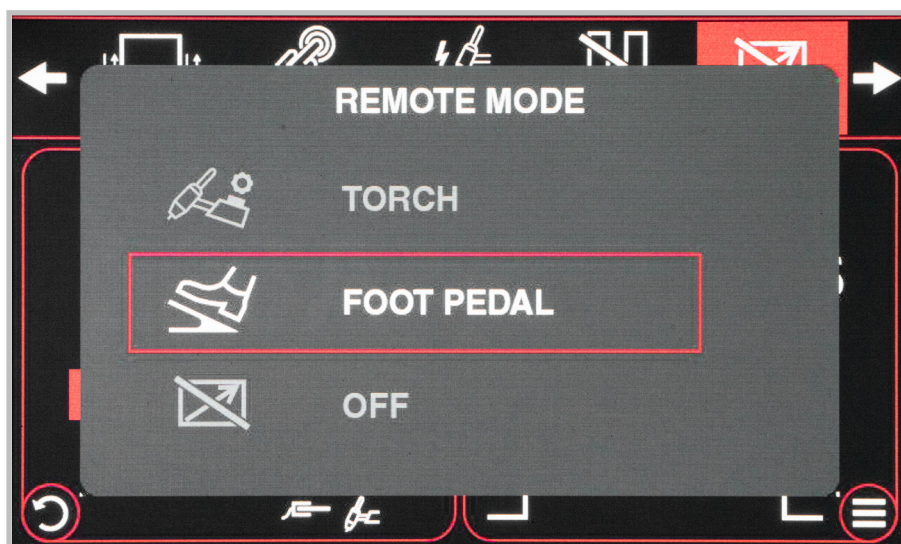


2. Connect the foot pedal connector cable into the pin adapter.



3. Place the machine into remote mode. To do this:

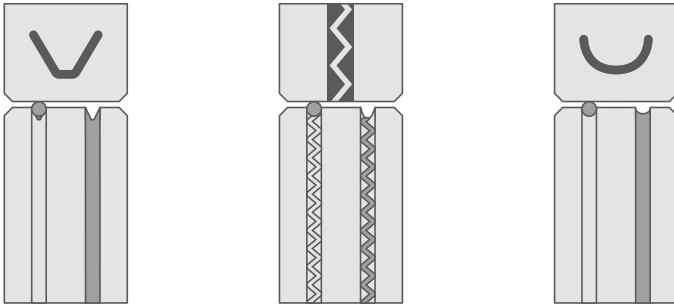
Select Foot Pedal in the Remote Mode menu on the screen (see "7.4 TIG Mode" on page 54).



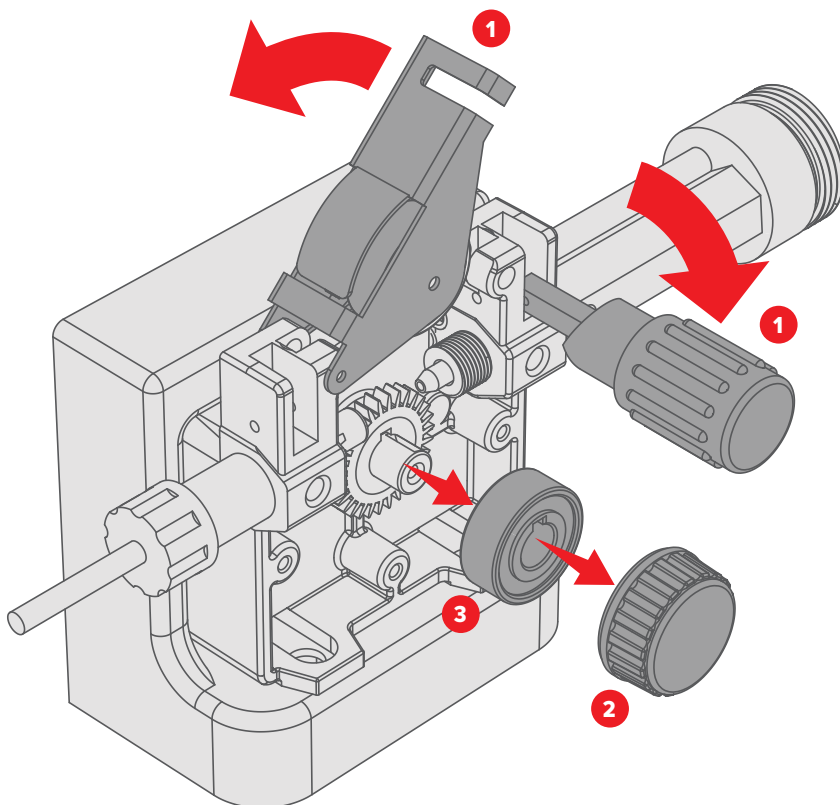
6.7 Installing & Replacing the Drive Rollers

Select the drive roller that suits the wire material and size being used. This machine comes with three types of roller:

- **V groove** - for solid wires like mild and stainless steel
- **F groove (Knurled)** - for flux-cored wires
- **U groove** - for soft wires like aluminium



1. Pull down the drive roller tensioner knob to release the upper wire drive roller and lift it out of the way.
2. Unscrew the roller cap.
3. Remove the drive roller and replace it with the necessary roller. When inserting a new drive roller, make sure to line up the key slot.



4. Repeat these steps in reverse and screw the roller cap back on, close the upper drive roller and lift the tensioner knob back up to lock it into place.
5. See "6.7 Installing & Replacing the Wire" on page 25 for more information on how to install the wire.

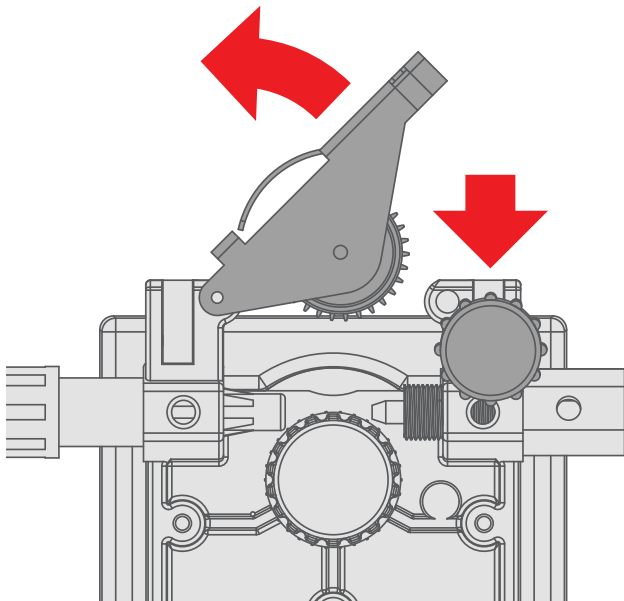
6.8 Removing & Installing the Guide Tube

i Before changing the inlet tube, remove the MIG torch and any wire that may be inside the machine.

i If there is no guide tube pre-installed in the machine, or you are swapping from aluminium back to a mild or stainless steel wire, a guide tube needs to be installed.

To Remove the Guide Tube

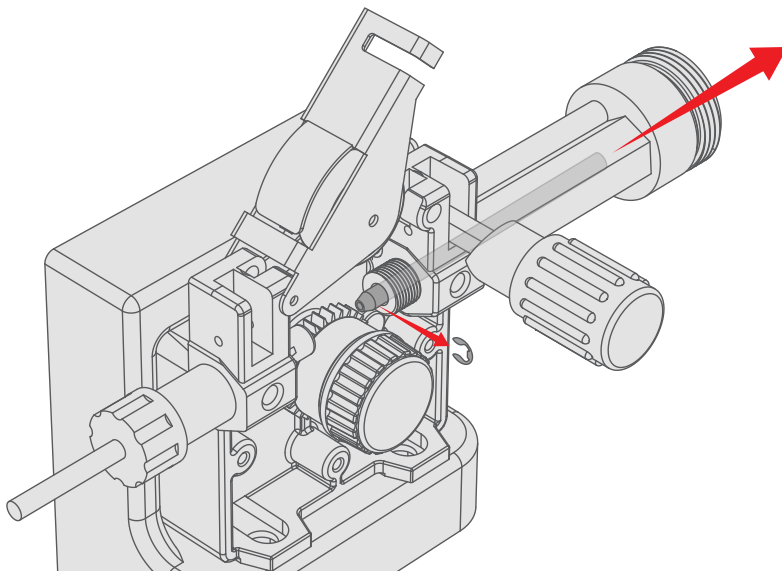
1. Pull down the drive roller tensioner knob on the right hand side to release the wire drive roller and lift it out of the way.



2. Use a pair of pliers to remove the circlip from the guide tube.

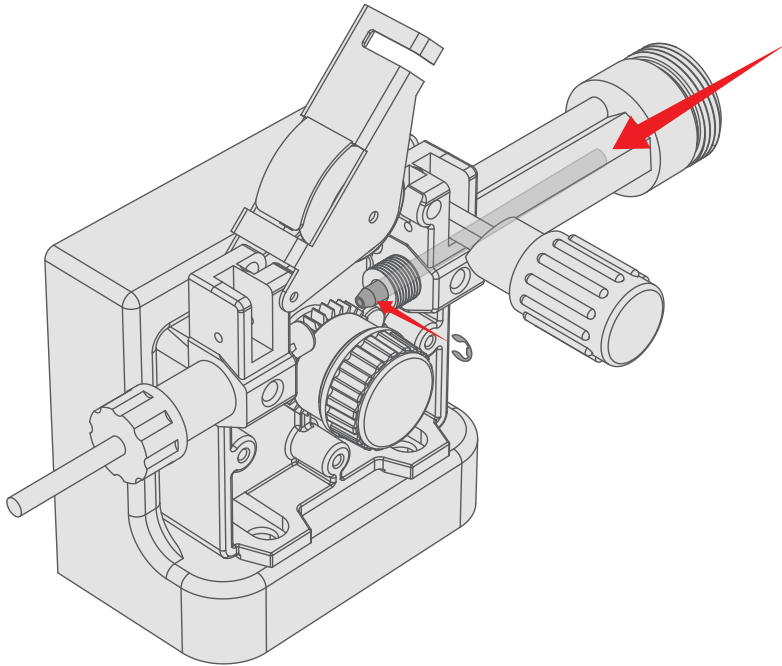
i If there is no circlip lock on the guide tube, it can be pushed from the drive roller side and out the front of the Euro Connection block.

3. Remove the guide tube from the Euro Connection block.



To Install the Guide Tube

1. If there is a circlip already installed on the guide tube, use a pair of pliers to remove the circlip (see *“To Install the Guide Tube”* on page 28).
2. Insert the guide tube into the Euro Connection block.
3. Install the circlip onto the the guide tube to lock it into place.



4. Repeat steps 1-3 from *“To Install the Guide Tube”* on page 28 in reverse to replace the drive rollers and close the wire drive.

6.9 Installing & Replacing the Wire

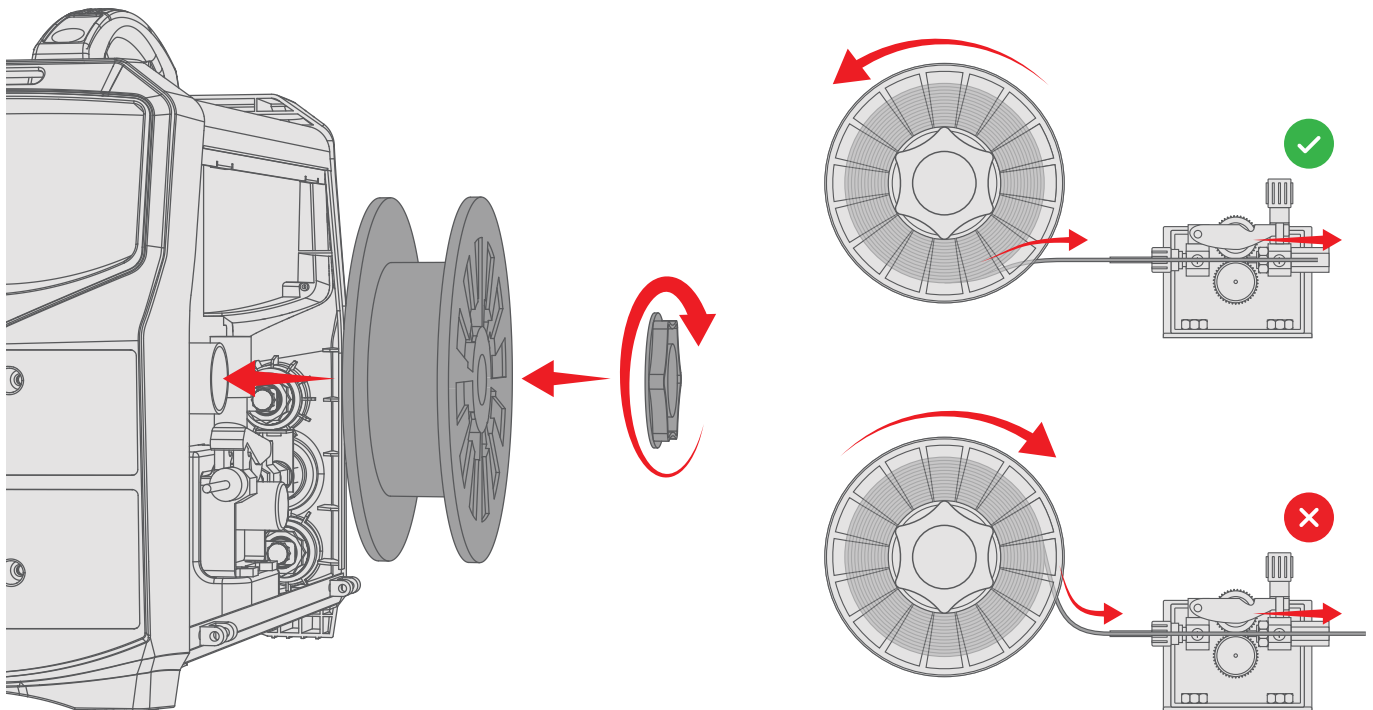
Make sure you have the correct drive rollers installed for the wire being used.

i Install the welding torch before installing the wire spool.

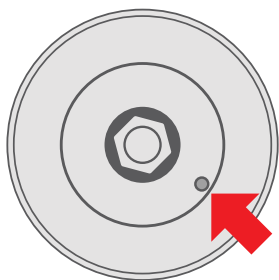
i Always check that the drive roller, liner, contact tip and gas nozzle are suitable for the wire being used.

6.9.1 To Install a Wire Spool

1. Unscrew and remove the spool retaining nut.
2. With the retaining nut off, slide the wire spool onto the spool holder.
3. Lock it into place by reinstalling the spool retaining nut.

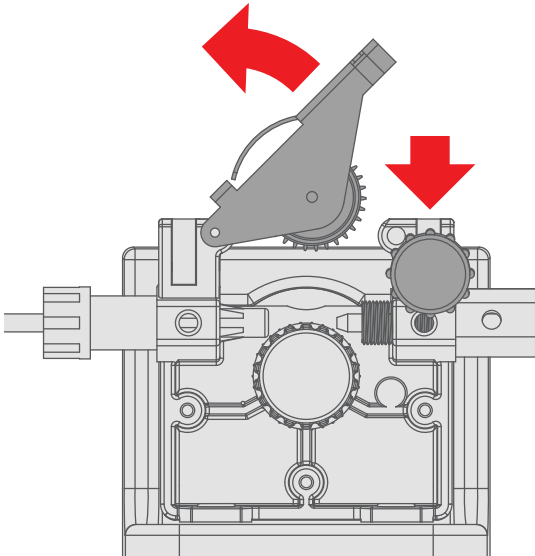


i Ensure the wire spool is facing the right direction with the filler wire able to run from the bottom of the spool to the drive rollers.

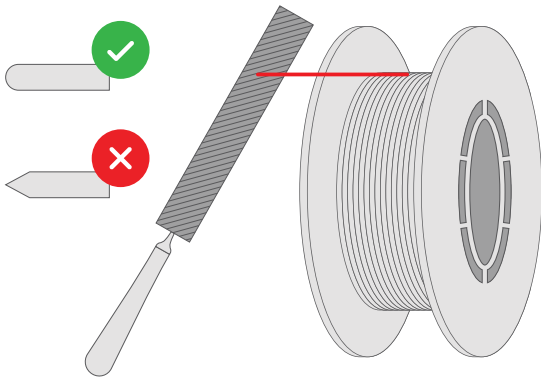


i Ensure you line up the keyhole on the spool with the key on the base of the spool holder.

4. Pull down the drive roller tensioner knob to release the upper wire drive roller and lift it out of the way.

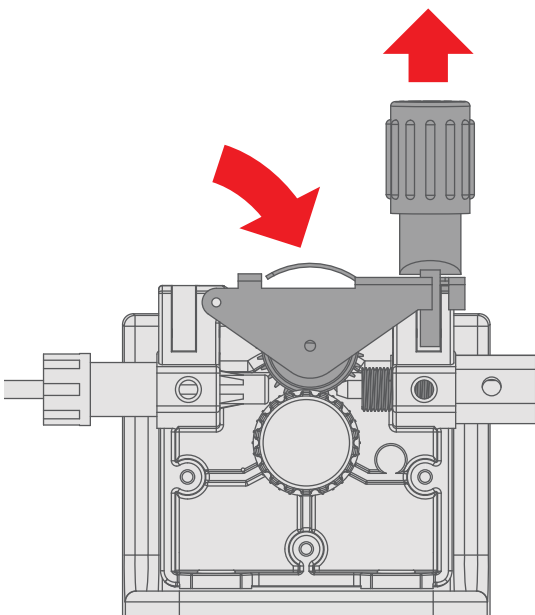


5. Release the filler wire end from the spool and cut off any wire that is deformed and file the end smooth.

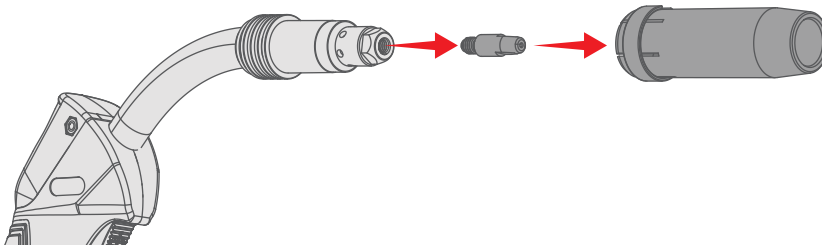


⚠ Sharp edges on the filler wire can cause damage to the torch liner.

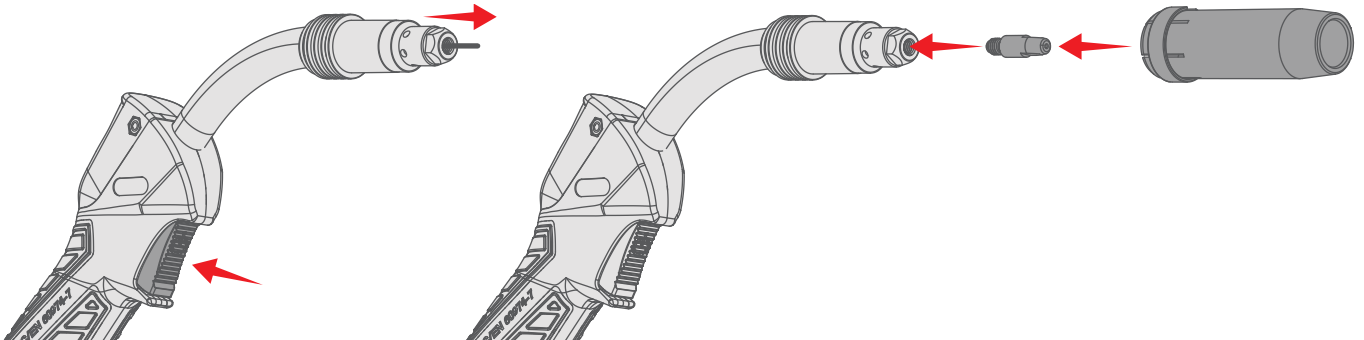
6. Close the upper drive roller and lift the tensioner knob back up to lock the wire into place.



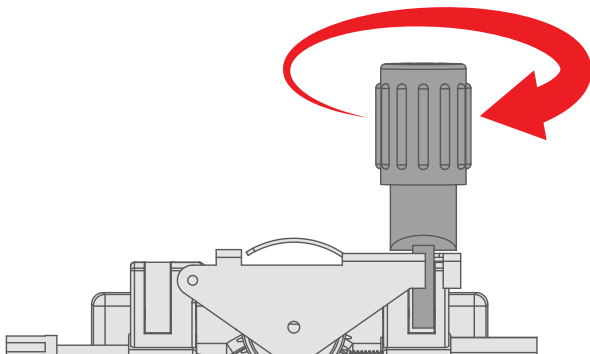
7. Prepare your MIG torch for having wire fed through it by removing the front-end consumables.



8. Feed the wire through the torch by holding the torch button down. Once the wire is fed through the torch, you can replace the torch consumables.



9. Adjust the tension on your drive roller and wire with the tensioner knob.



⚠ Excessive tension will deform the filler wire and can damage cored or coated wires.

To manually tension your drive rollers:

- Start with a cold torch and feed the wire until about 50mm (5cm) hangs out of the end of the torch tip.
- Decrease the tensioner arms by rotating anticlockwise so that the wire slips (the rollers are spinning, but the wire doesn't move) when the trigger is pulled.
- Once the tension has been removed, turn the tension level a half-turn clockwise to increase the tension, gripping the exposed wire between thumb and forefinger with light pressure.

ℹ Don't grip the wire too hard. The pressure should be firm but not excessive.

- Pull the trigger while holding the wire. If it slips, repeat the process.
- Keep adding tension until you can't stop the wire with your fingers, and it feeds smoothly without slipping.

⚠ Keep fingers and hands clear of the wire as it feeds from the torch. Pinch the wire from the sides, so nothing is blocking its path as it exits the torch.

6.9.2 Adjusting the Spool Hub Brake

To adjust the spool hub brake, turn the spool nut to control the brake.

1. Turn the spool nut clockwise to increase the brake.
2. Turn the spool nut anticlockwise to decrease it.

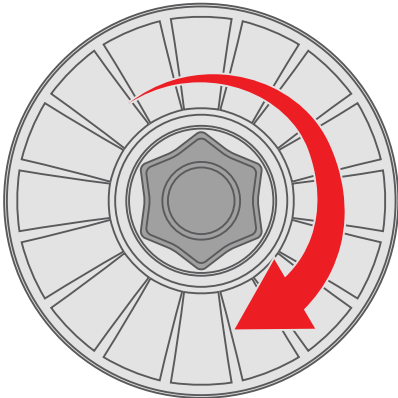
The spool nut can be accessed when the retaining nut is removed from the spool holder.

The brake is properly adjusted when the spool stops within 10mm to 20mm (measured at the outer edge of the spool) after the MIG torch trigger is released. The wire should be slack without coming off the spool.

⚠ Too much tension on the brake can cause rapid wear of the drive roller motor, overheating of the electrical components and could increase the chances of the filler wire burning back into the contact tip.

6.9.3 To Remove the Wire Spool

1. Unscrew and remove the spool retaining nut.



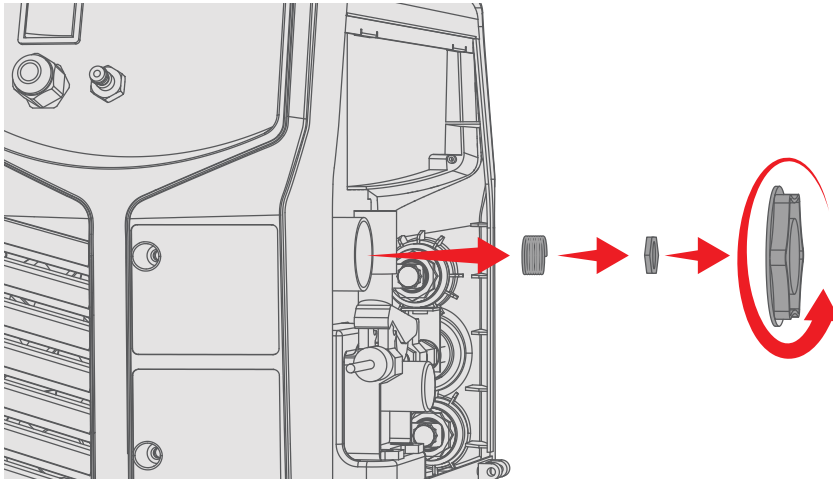
2. Cut the wire behind the inlet guide and hold the end while removing the wire spool from the machine.

⚠ Letting go of the loose wire before reattaching it will cause it to unspool and lose its precision winding, rendering it unusable.

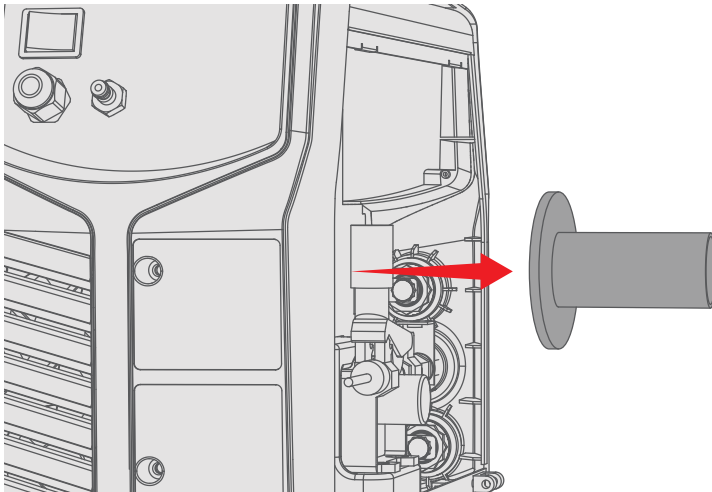
3. Remove the filler wire from inside the welding torch and drive rollers.

6.9.4 To Install a 100mm Wire Spool

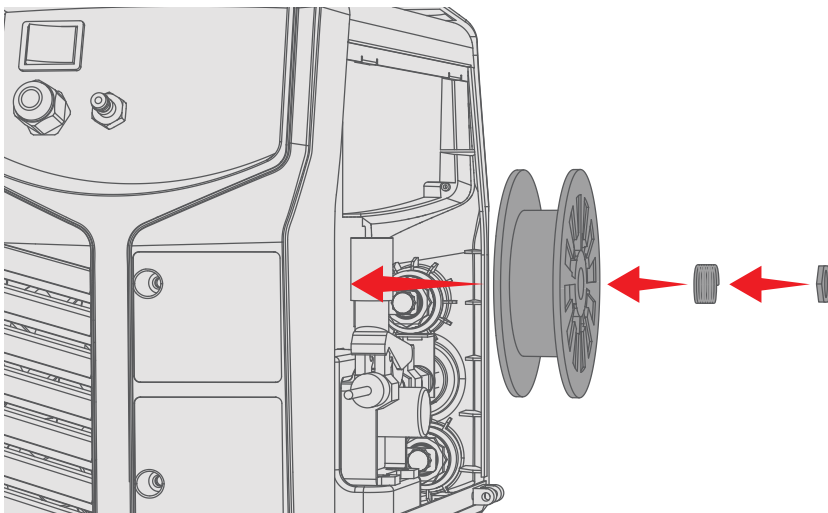
1. With the retaining nut off, unscrew the spool nut located inside the spool holder housing. Make sure to remove the spring that is behind it as well.



2. Remove the spool holder housing from the machine.



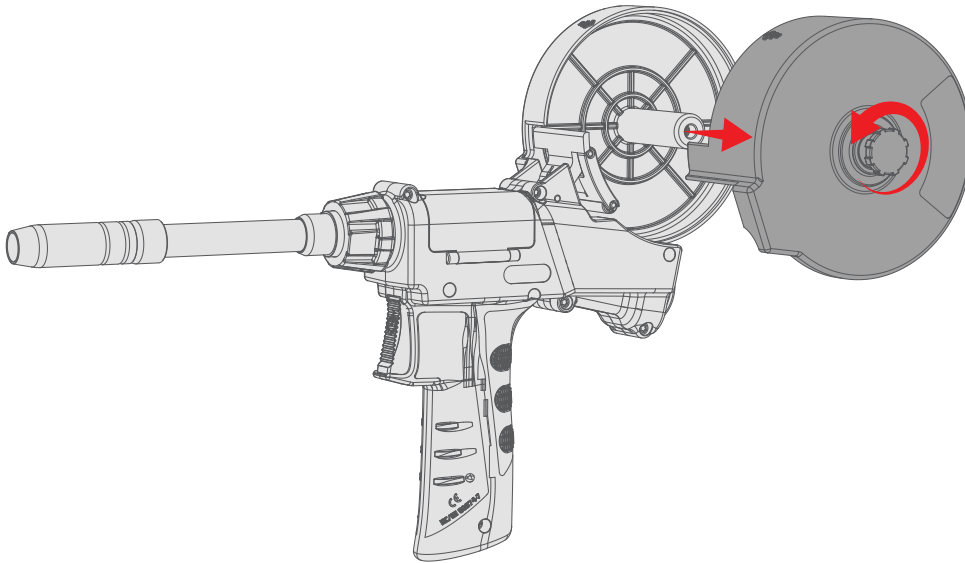
3. Slide the 100mm wire spool into place and lock it by reattaching the spring and then the spool nut.



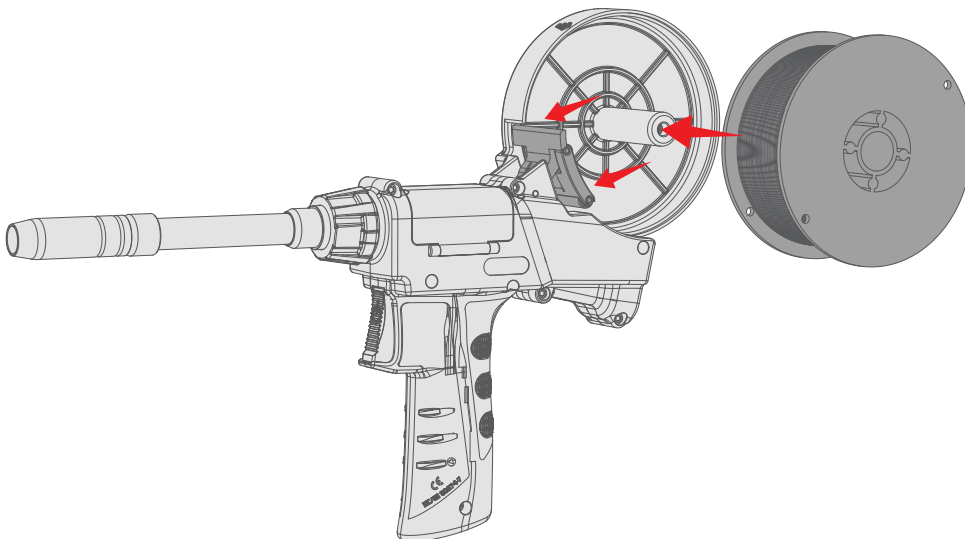
i Adjust the tension on the spool by tightening or loosening the nut. The spool should be able to spin, but should stop when the torch trigger is released.

6.9.5 To Install a Wire Spool in the Spool Gun

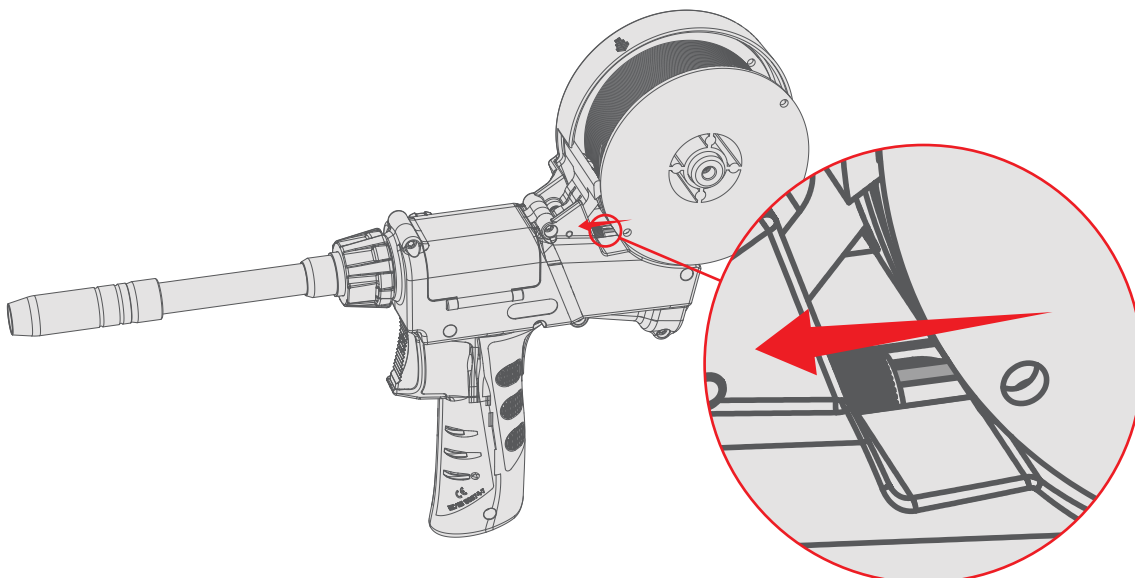
1. Unscrew the spool holder and remove the spool housing cover.



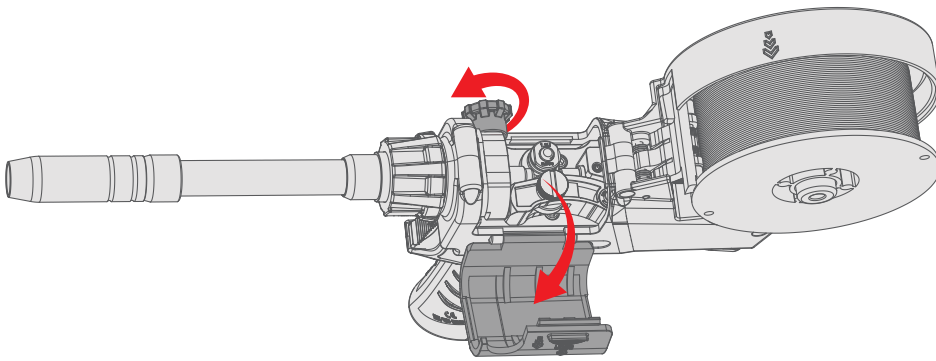
2. Push back the spool guides, and place the wire spool onto the spool nut.



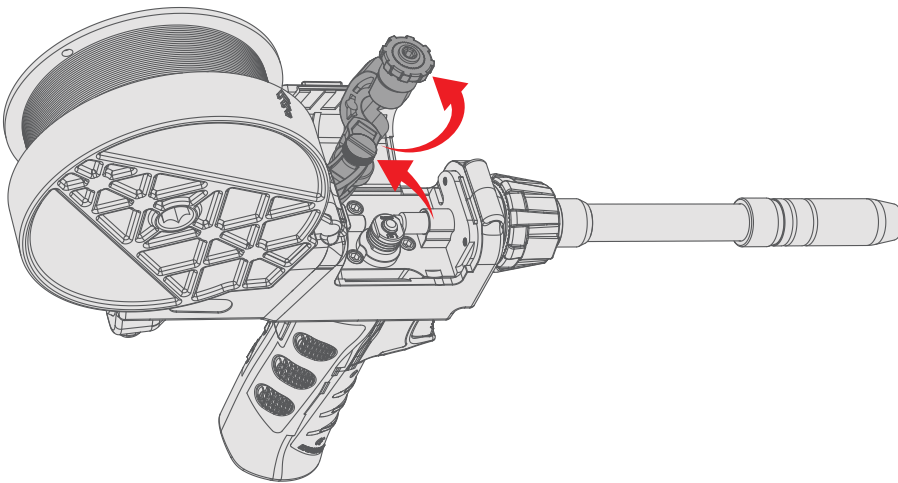
3. Feed the wire through the inlet guide tube.



4. Open the drive roller cover, and loosen the roller tension knob.

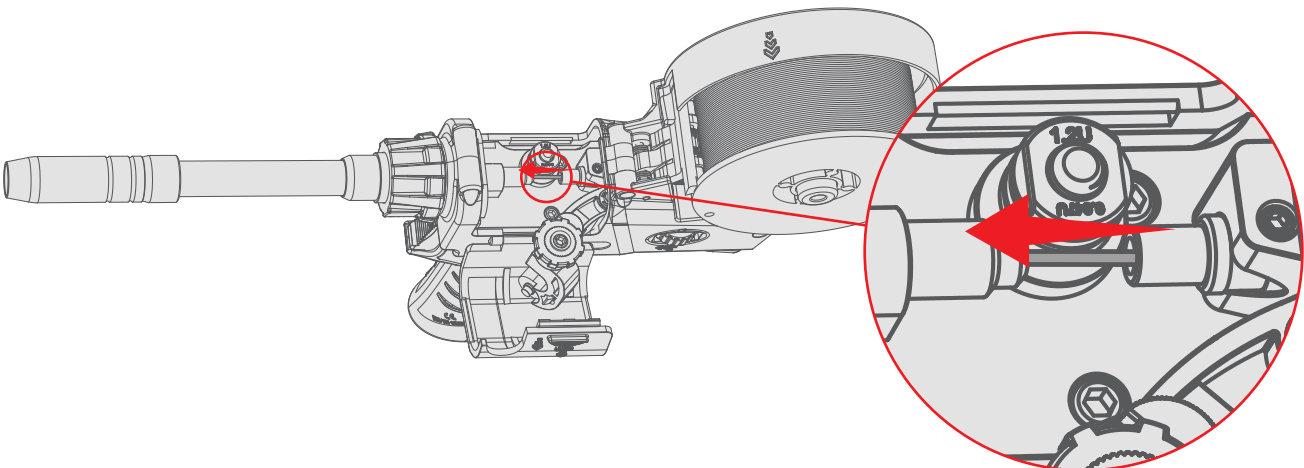


5. Lift the roller lock up and open the wire drive.

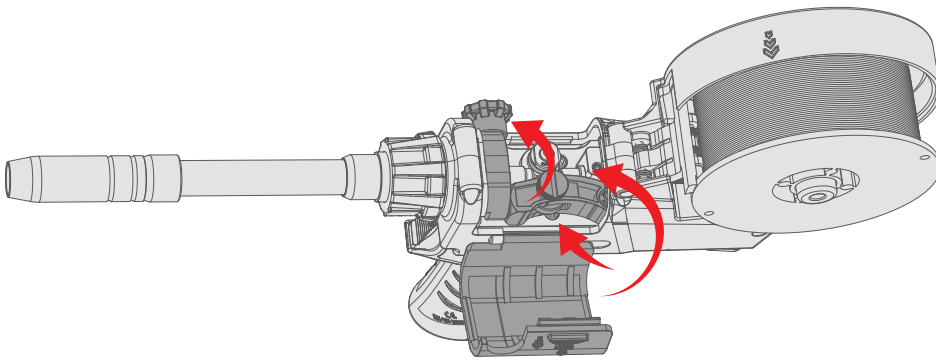


i Ensure you have the correct drive roller for the wire size you are using. If not, replace it with the correct size.

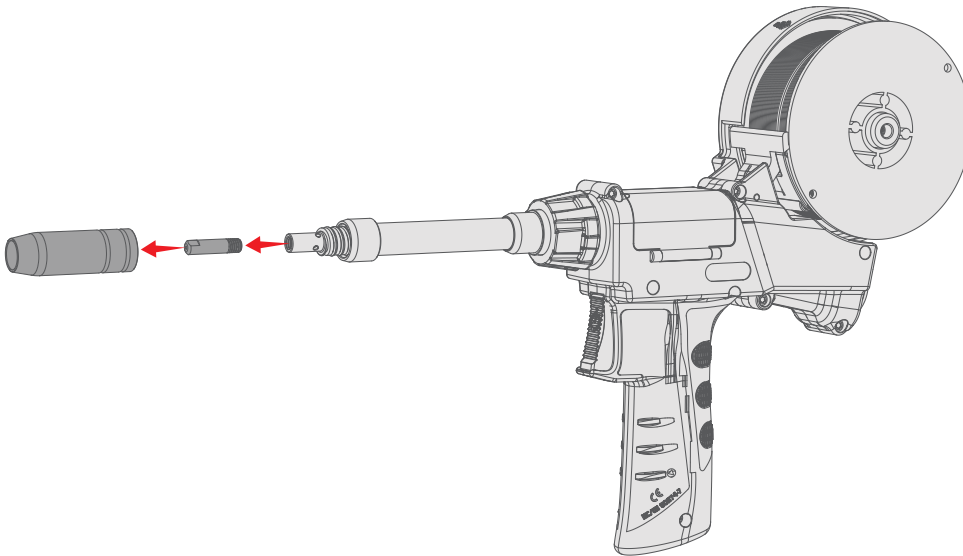
6. Feed the wire through the drive roller and through the outlet guide tube.



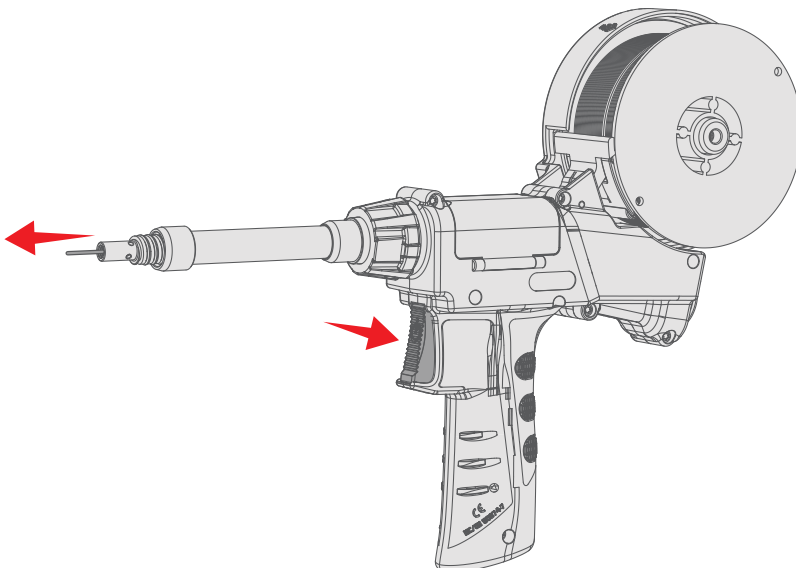
7. Close the wire drive and tighten the roller tension knob.



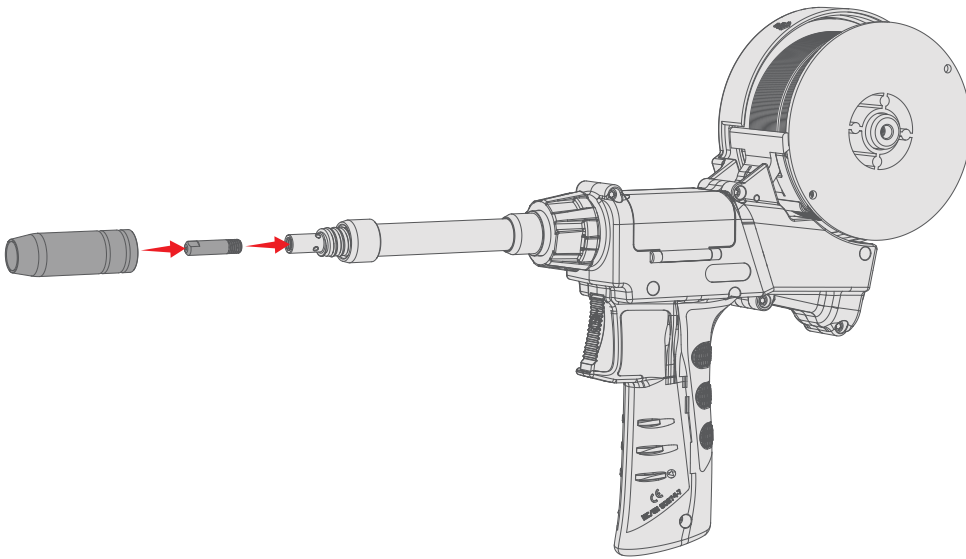
8. Remove the front-end consumables in preparation for feeding the wire.



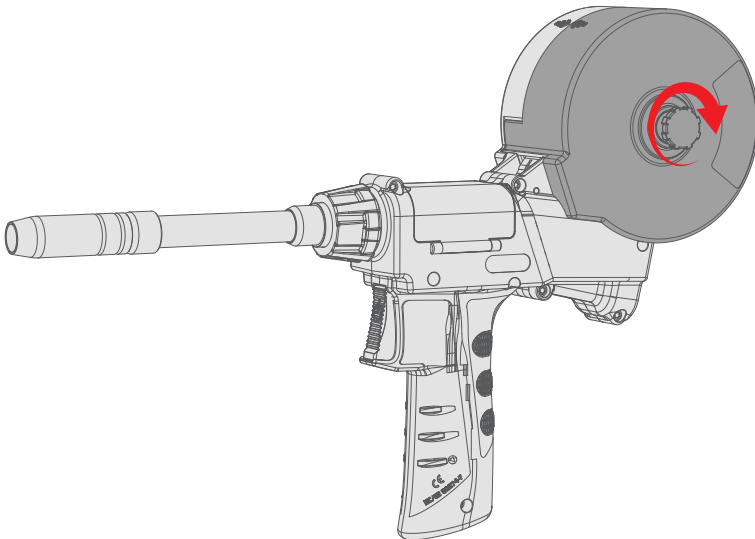
9. Press the torch trigger to feed the wire out of the torch nozzle.



10. Replace the front-end consumables.



11. Replace the spool housing cover and tighten it.



6.10 Installing & Replacing the Torch Liner

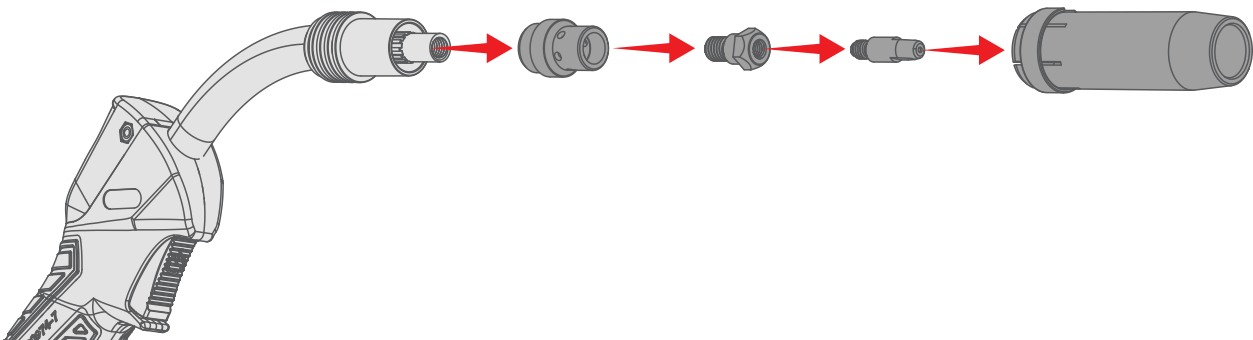
i UNIMIG MIG torches are delivered with a torch liner preinstalled.

The torch liner is a consumable part which will need to be replaced when it becomes worn or damaged, or if the filler wire material and/or diameter changes. The previous filler wire will need to be removed before the liner can be replaced.

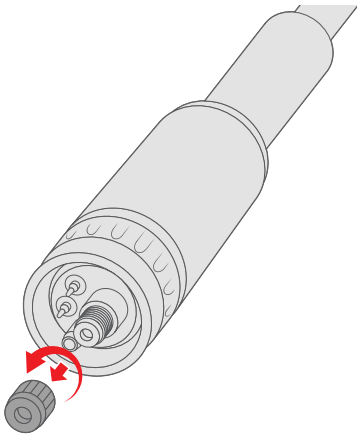
i If the filler wire material or diameter is changed, ensure the correct driver rollers are installed to suit.

6.10.1 Steel Liner

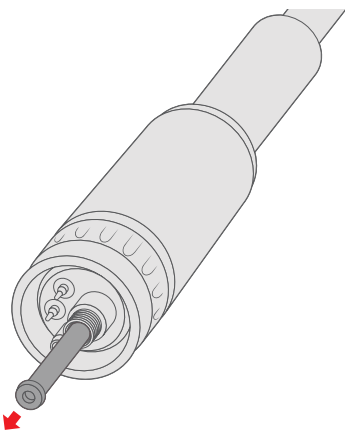
1. Remove the nozzle, contact tip, tip holder and gas diffuser from the front end of the torch.



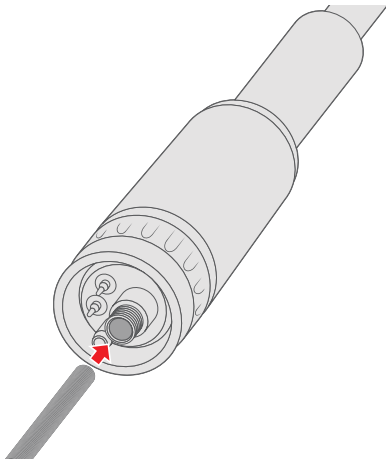
2. Remove the liner retaining nut from the end of the torch.



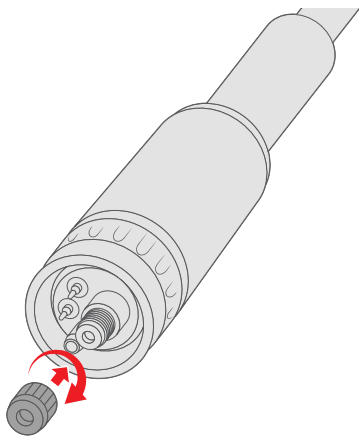
3. Remove the existing liner. Make sure the MIG torch is laid out straight when you do this.



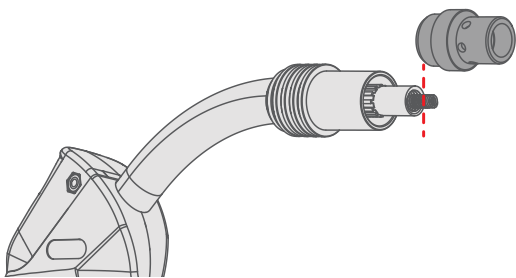
4. Install the new liner down the torch lead to the end of the torch neck.



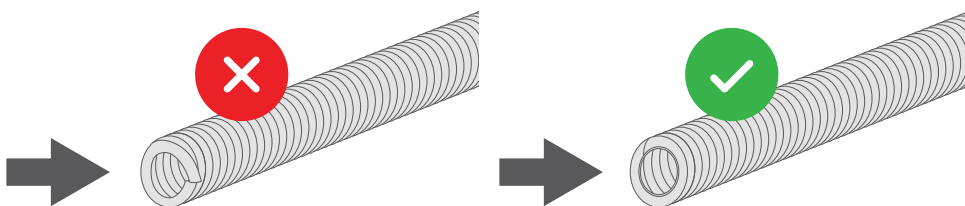
5. Fit the liner retaining nut and screw it halfway down. Don't tighten it yet.



6. Cut the excess liner off so it's just below flush with the torch neck. The liner should line up with the bottom of where the tip holder screws in.

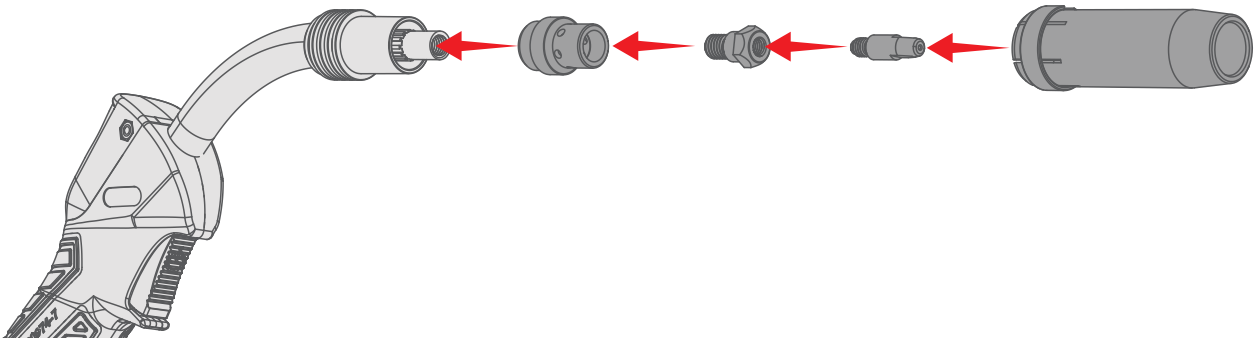


i Remove any sharp edges that could potentially damage the filler wire.

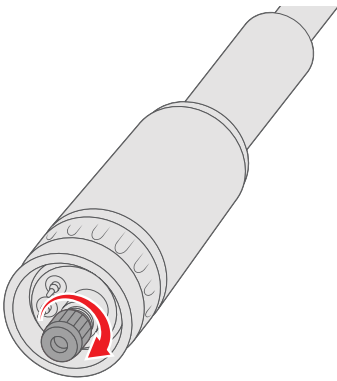


⚠ Don't cut the liner too short, leaving a gap between the liner and tip holder inside the torch can cause wire feeding issues.

7. Replace the front-end consumables on the torch. If you can't screw the tip holder back into place, the liner is too long and needs to be trimmed.

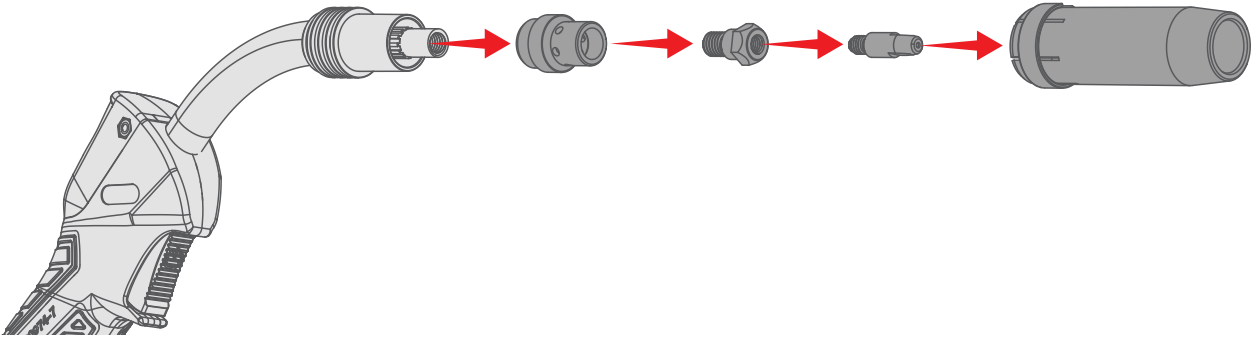


8. Fully screw down the liner retaining nut.

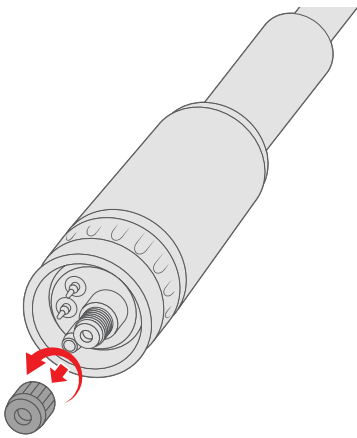


6.10.2 Aluminium Liner

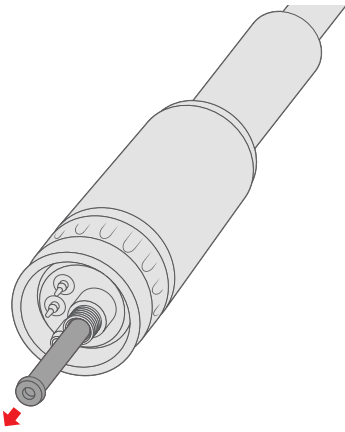
1. Remove the nozzle, contact tip, tip holder and tip holder insulator from the front end of the torch.



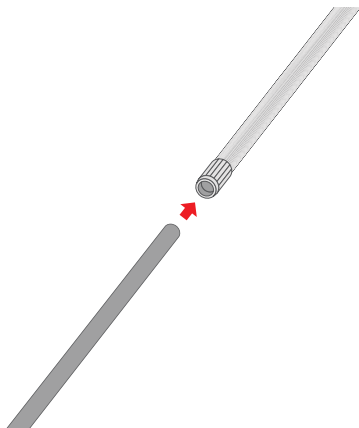
2. Remove the liner retaining nut from the end of the torch.



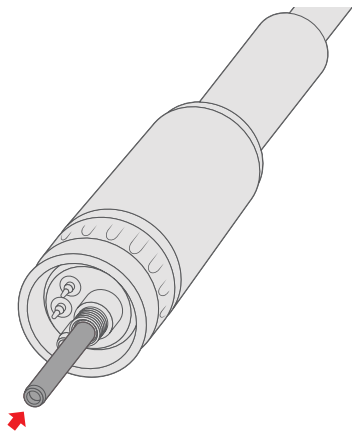
3. Remove the existing liner. Make sure the MIG torch is laid out straight when you do this.



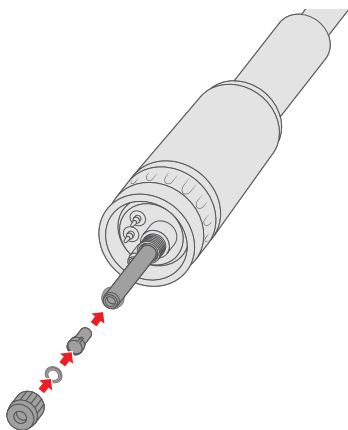
4. Screw the neckspring onto the end of the liner.



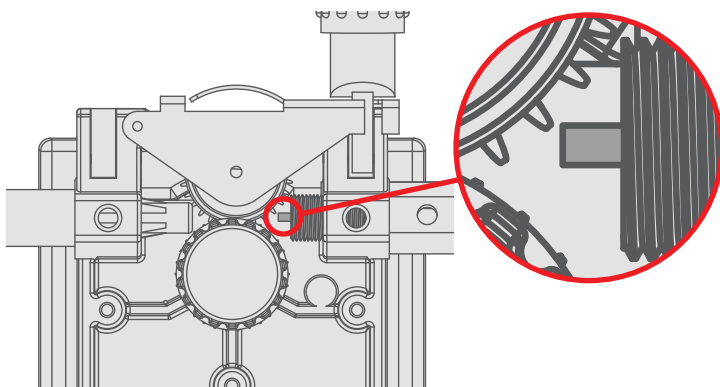
5. Install the new liner down the torch lead to the end of the torch neck until it butts up against the tip holder internally.



6. Place the collet and o-ring (from inside the retaining nut) onto the end of the liner to crimp it in place, and then lock it into place with the retaining nut.

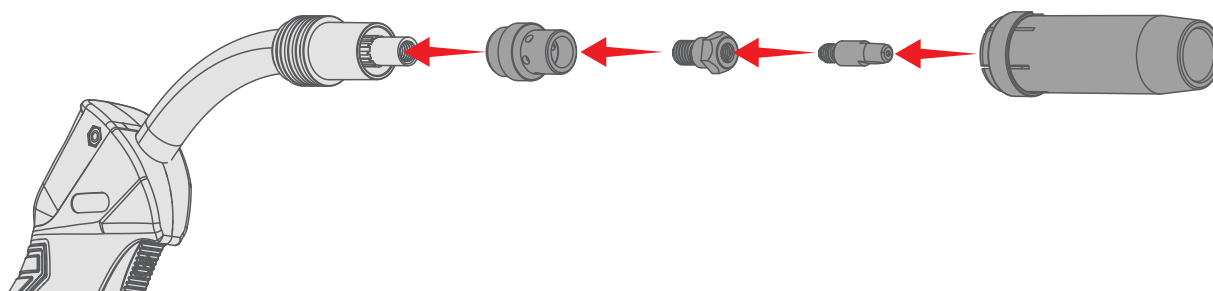


7. Cut the excess liner off so that the liner goes through the Euro connection and sits just before the drive rollers.



i The liner should be as close to the drive roller as possible without touching it.

8. Replace the front-end consumables on the torch.



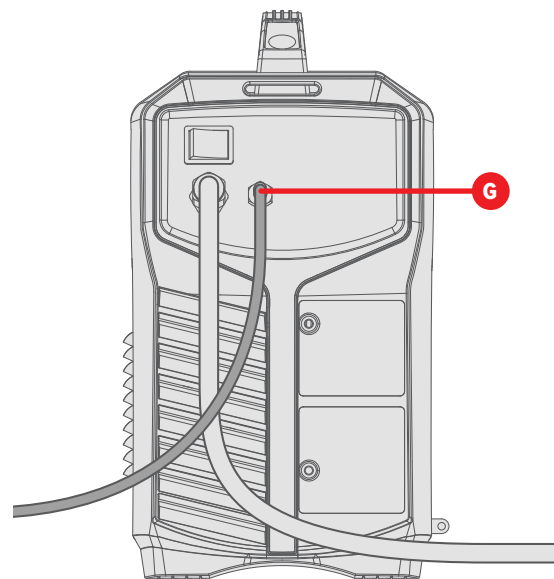
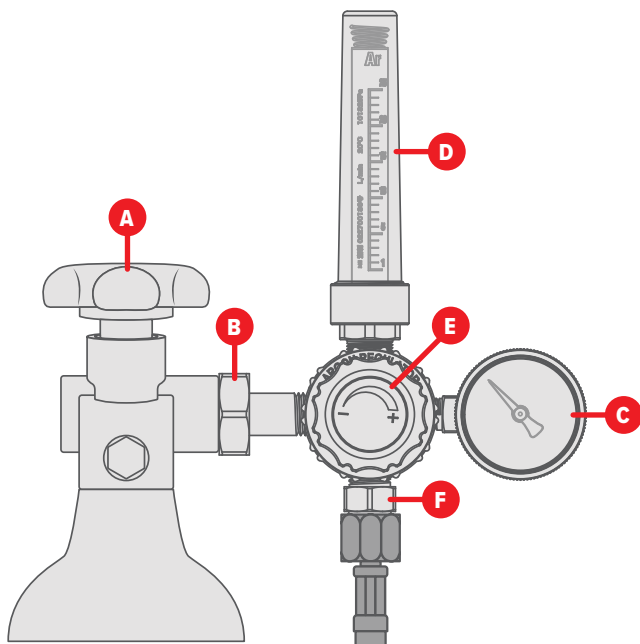
6.11 Installing the Gas Bottle & Testing the Gas Flow

⚠ Handle the gas bottle with care. There is a risk of injury if the gas bottle or the bottle valve is damaged.

ℹ If you have a new gas bottle, remove the insert tab from the valve.

1. Securely fasten the gas cylinder to a wall or stationary support so it can't fall.
2. Stand to the side and open the gas bottle valve or safety lock quickly to blow away any dirt or dust from it before closing it again.
3. Screw in your regulator or flowmeter so that the face of the gauge is vertical, and then tighten it with a wrench.
4. Connect the gas hose to the regulator/flowmeter outlet connection and the gas fitting on the back of the machine.
5. Open the gas bottle valve or safety lock and adjust your flow rate using the gas flow regulation screw.

ℹ When turning the gas flow regulation screw, do it slowly. Cranking the screw can damage the regulator/flowmeter and cause gas leakage.



- A.** Gas bottle valve
- B.** Inlet connection (AS2473 Type 10)
- C.** Gas bottle contents indicator
- D.** Gas flow meter
- E.** Gas flow regulation screw
- F.** Outlet connection (5/8" UNF Male RH)
- G.** Machine gas fitting (6mm quick-connect barb)

Recommended Gas Flow Rates

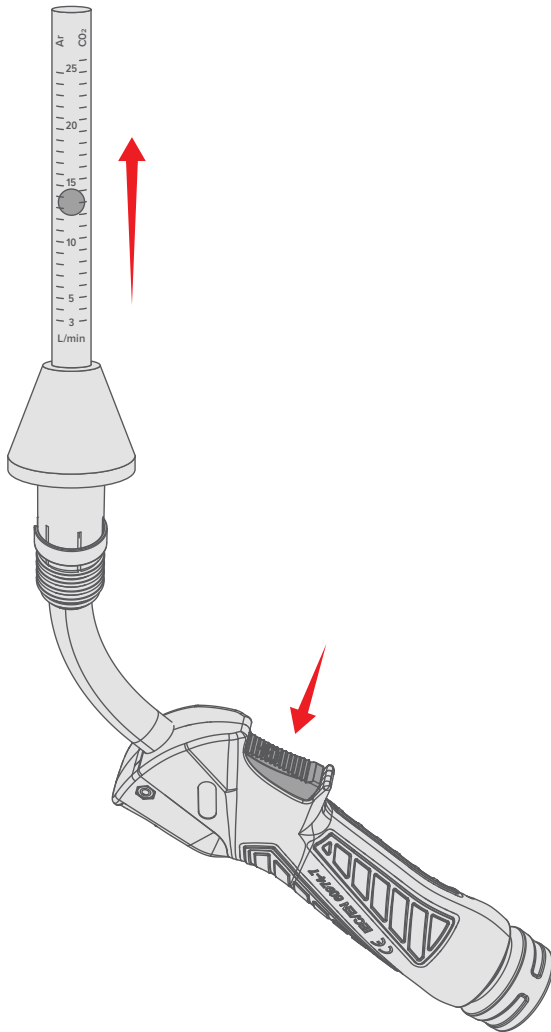
Gas Mixture	TIG	MIG
Argon	5-15L/min	10-25L/min
Helium	5-15L/min	
Argon + 18-25% CO ₂		10-25L/min
CO ₂		10-25L/min

The gas flow rates mentioned are intended as guidelines only. Actual gas flow rates may vary based on the specific gas cup selected.

6.11.1 Testing the Gas Flow

i Testing the gas flow via an external gas test is recommended as the gas solenoid in the machine can cause a small loss of gas as it travels through the machine internals. A gas test lets you check the difference in the flow rate selected on the regulator/flowmeter and the flow exiting the torch.

1. Open the gas bottle valve.
2. Connect a gas flow tester to the end of the torch and start the gas flow by pressing the torch trigger.
3. Check the gas flow tester is reading the gas flow rate selected.



6.12 Regulator Safety & Operation

 **This equipment is designed for use with welding grade (inert) shielding gases only.**

This regulator/flowmeter is designed to reduce and control the flow of high-pressure gas from a cylinder down to a level that is suitable for the equipment it's supplying. Make sure the pressure regulator is designed for use with high pressure gas cylinders and that the connection nut thread matches the cylinder valve outlet.

Misuse of the equipment can lead to dangerous situations, which could result in accidents. It is crucial for users to avoid such scenarios. Prior to operating or handling the equipment, it is imperative to understand and adhere to the safety guidelines provided in this manual.

The following instructions detail specific practices for using regulators/flowmeters:

1. Do not expose the regulator/flowmeter to inlet pressures exceeding its maximum specified limit.
2. Do not pressurise a regulator/flowmeter if it exhibits any signs of damage, loose components, or appears to be in poor condition.
3. Do not attempt to loosen or detach any parts from the regulator/flowmeter without first ensuring the gas pressure has been fully released. Pressurised gas can forcefully eject a dislodged part, creating a hazard.
4. Do not open the cylinder unless a pressure regulator/flowmeter has been fitted.
5. An opened valve should never be fully opened until resistance is encountered, but should be turned back at least half a turn to prevent the valve from becoming stuck in the open position. This can occur if the valve is left open for long periods of time.
6. Ensure the cylinder valve is fully closed and any gas within the regulator/flowmeter's high and low-pressure chambers has been vented before removing the device from a cylinder.
7. Do not use the regulator/flowmeter as a shut-off valve. To prevent gas flow when downstream equipment is not in use for an extended period, turn off the gas at the source and vent it from the system.
8. Open the cylinder valve slowly and make sure to close it after finishing. When you shut the valve, turn it just enough to stop the gas completely. Do not over tighten.
9. Do not attempt to repair or modify the regulator.

DO NOT USE OIL

Never use oil, grease, or other petroleum-based substances on or near this regulator. The presence of oil can cause serious safety hazards, especially when regulators are used in applications involving high-pressure gases. Even with inert gases such as argon, contamination can lead to equipment malfunction, seal degradation, and dangerous cross-use if the regulator is later connected to flammable or oxidising gases. Always ensure all connections, fittings, and threads are clean and completely free of oil or grease before use. Failure to comply with this warning can result in fire, explosion, serious injury, or death.

User Responsibilities

This equipment will perform safely and reliably only if it is installed, operated, maintained, and repaired strictly according to the provided instructions. Regular checks are essential to ensure its ongoing safe and reliable operation.

Any necessary repairs, replacements, or adjustments must be carried out promptly. Do not use equipment that is defective. Immediate replacement is required for parts that are broken, missing, visibly worn, deformed, or contaminated.

Typically, the user will bear exclusive responsibility for any malfunctions resulting from improper usage, inadequate maintenance, or repairs conducted by individuals other than certified repair technicians.

Installation

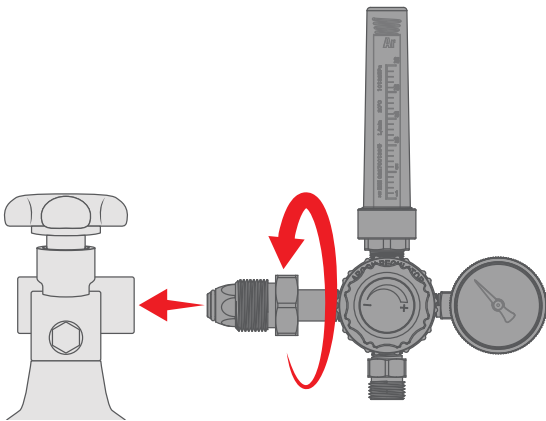
Before connecting a pressure regulator to a full cylinder always screw out (anticlockwise) the regulation screw. This ensures that there will be no gas flow through the regulator upon initially opening the cylinder valve, reducing strain on the regulator's internal safety component (known as a diaphragm) and increasing the lifespan of the regulator.

Remove the plastic dust seal from the cylinder valve. Before attaching the regulator/flowmeter, ensure the cylinder valve outlet is free from any impurities that could block the orifices or damage the seats. Briefly open then immediately close the valve, directing the outlet away from both people and any potential sources of ignition. Clean the outlet with a lint-free cloth.

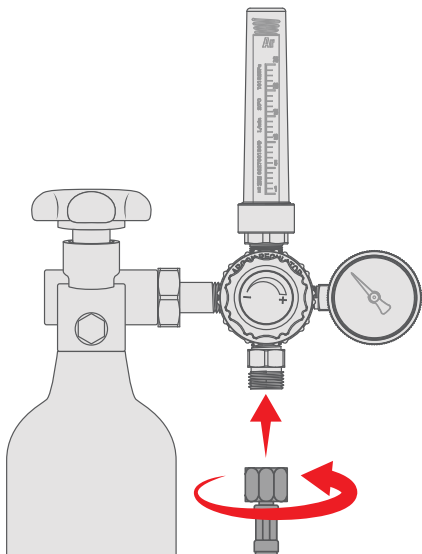
If grit, dirt, oil or dirty water enters the cylinder valve outlet, this may cause damage to the valve internals and result in leakage.

⚠ Match the regulator/flowmeter to the cylinder. Never connect a regulator/flowmeter designed for a particular gas or gases to a cylinder containing any other gas.

1. Attach the inlet of the regulator/flowmeter to the cylinder, securing it snugly with a proper wrench, but avoid over-tightening. Regulator connections can be fully threaded in by hand and then only require a fraction of a turn to achieve a gas tight seal.



2. Secure the outlet hose tightly, then connect any downstream equipment.

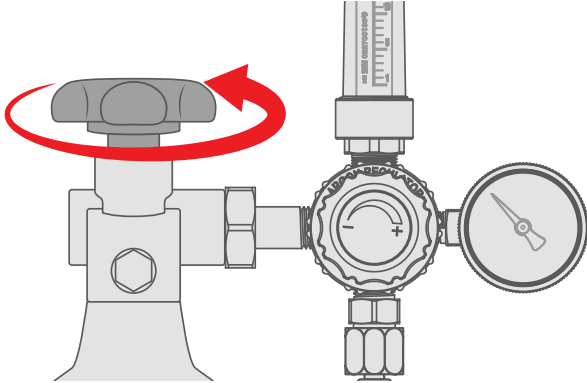


i For downstream equipment that is sensitive, consider the installation of an additional safety device if the regulator/flowmeter does not include a built-in pressure relief feature.

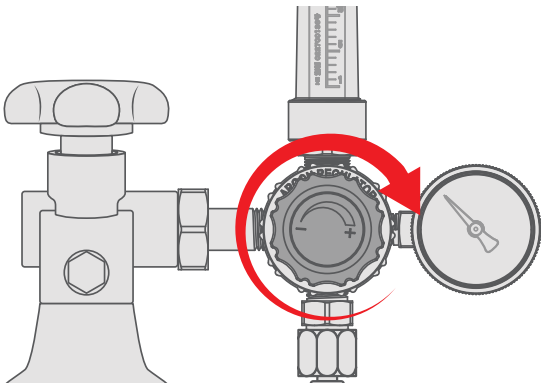
Operation

Once the regulator/flowmeter is connected to the cylinder with the regulation screw completely disengaged, follow these steps to pressurise:

1. Position yourself to the side of the regulator/flowmeter and gradually open the cylinder valve. Rapid opening can cause a sudden pressure increase, potentially damaging the internal components of the regulator/flowmeter.



2. Ensure all valves on the downstream equipment are closed, then set the regulator/flowmeter to the desired working pressure.



i It's advisable to perform a leak test at the connection points of the regulator/flowmeter using an appropriate leak detection solution or soapy water.

3. Purge any air or non-essential welding grade shielding gas from the system attached to the regulator/flowmeter by briefly opening and then closing each control valve. The duration of the purge process could last as long or longer than ten seconds, depending on both the length and diameter of the hose being cleared.

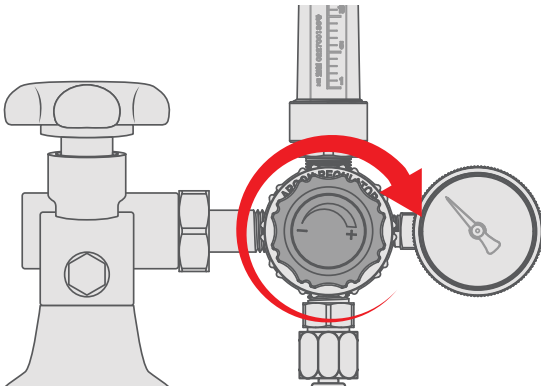
⚠ Do not purge flammable or oxidising gases when flames, lit cigarettes, or other sources of ignition are present. Open each downstream valve in turn, closing each valve before opening the next if more than one regulator is being used. This prevents explosive gas mixtures from occurring in the gas hose between regulators and equipment.

4. Close all valves after purging and test all connections for leaks. Use an appropriate leak detection solution or soapy water.

⚠ Never use flames to locate gas leaks.

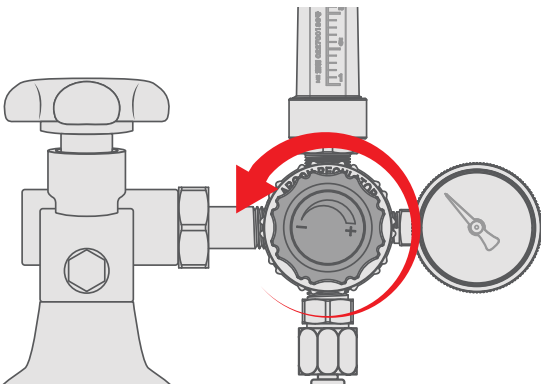
To adjust the operational flow rate of the regulator/flowmeter:

1. Slowly turn the regulator/flowmeter's regulation screw (clockwise) until the outlet gauge shows the desired flow rate.



i It might be necessary to re-evaluate the flow rate of the shielding gas through the regulator/flowmeter after completing an initial series of welds, as back pressure within the shielding gas hose assembly can affect readings.

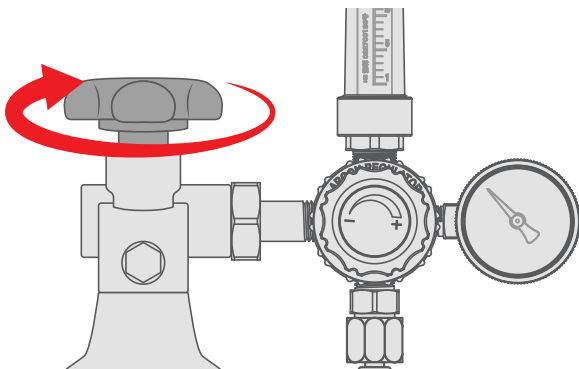
2. To decrease the flow rate, first ensure the welding-grade shielding gas is safely vented from the regulator/flowmeter by opening the downstream valve. Direct the released gas to a well-ventilated area, away from any potential sources of ignition. Then, adjust the screw (anticlockwise) until the gauge reflects the desired flow rate. Finally, shut the downstream valve.



Shutdown

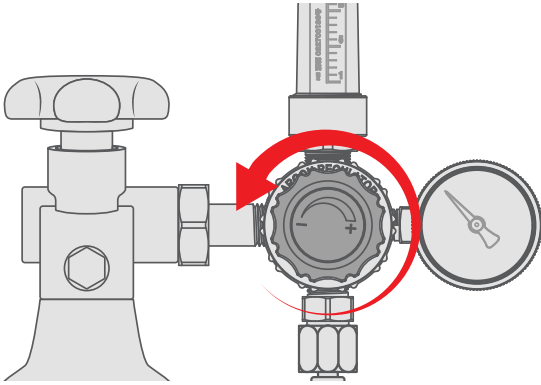
Always close the cylinder valve when the regulator/flowmeter is not in use. For shutdowns lasting longer than 30 minutes, follow these steps:

1. Close the gas cylinder or upstream valve.



2. Open downstream equipment valves to purge the lines, directing the gas to a well-ventilated area, and away from ignition sources.

3. Once the gas is fully vented, turn the regulation screw to its closed position and close the valves on the downstream equipment.



4. Prior to moving cylinders that are not fixed on a specifically designed trolley, detach the regulators/flowmeters.

7. Operation

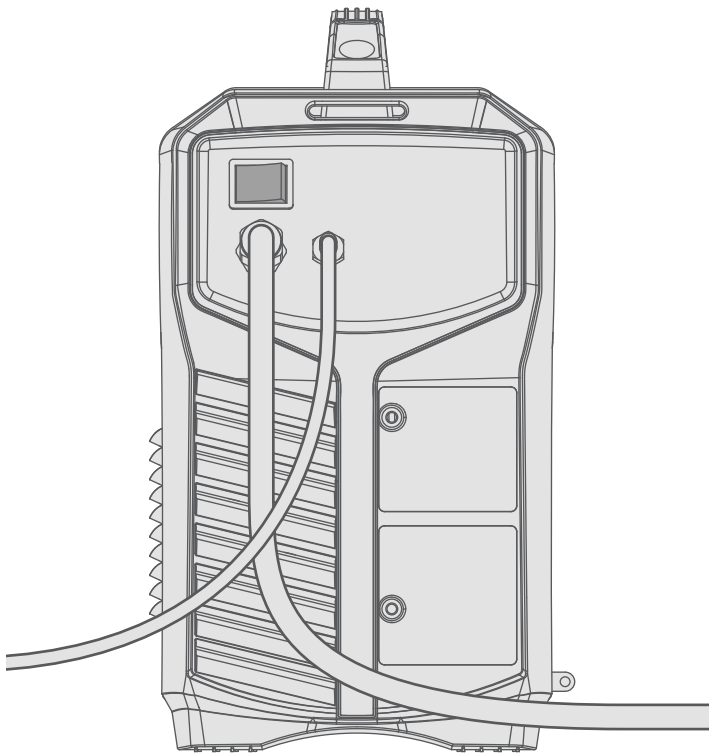
7.1 Preparing for Operation

Before using the equipment, ensure that all the necessary installation actions have been completed according to your equipment setup and instructions.

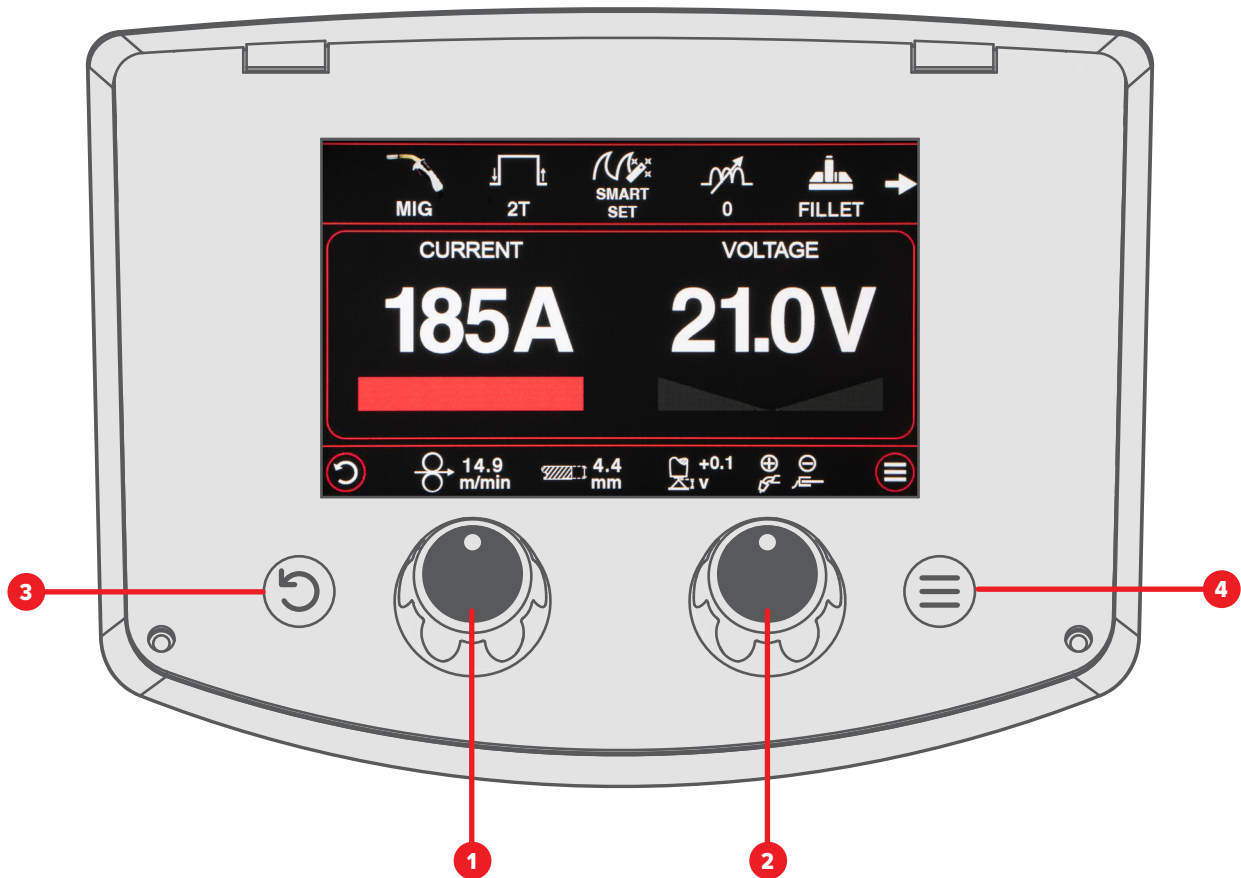
i Industry standards typically dictate the minimum and maximum welding capacity and are influenced by practical considerations for both single-pass and multi-pass welds to secure the best possible quality. The material thicknesses indicated on this machine are subject to these standards and best practices for the weld being performed.

i Always check before use that the torch cable, shielding gas hose, earth cable/clamp and power cable are in serviceable condition. Ensure that the connectors are correctly fastened. Loose connectors can impair welding performance and damage connectors.

Connect the plug into the mains socket, then switch the machine ON.



7.2 Control Panel Layout & Operation



1. Left control knob

- Turn** this knob for digital screen navigation and cycling through menu options. If a menu option is active, turning this knob will adjust the item value.
- Press** this knob to confirm actions between the weld screen and weld menu parameters.

2. Right control knob

- Turn** this knob to adjust the parameter value on the right side of the main welding screen.

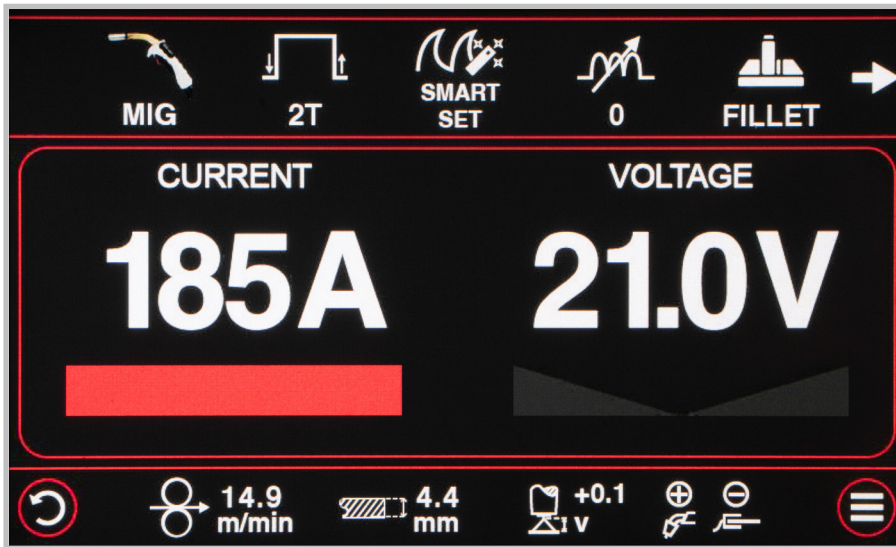
3. Back button

- Press** the Back button to return to the previous screen.

4. Menu button

- Press** the Menu button to open the Main Menu.

7.3 MIG Mode



1. **Press** the left control knob to cycle between the top settings bar and the main weld parameters.
2. **Turn** the left control knob to scroll through the settings bar or adjust the Current.
3. **Turn** the right control knob to adjust the Voltage.
4. **Press** the left control knob when hovering over a setting to select it.
5. **Press** the left control knob when hovering over the advanced settings option to enter the Advanced Settings Menu.
6. **Turn** the left control knob to scroll through the advanced parameters. **Turn** the right control knob to adjust the parameter that is being hovered over.
7. **Press** the Back button to return to the main welding screen.

7.3.1 Welding Parameters

Parameter	Value	Description
Trigger	2T / 4T / SPOT	Switch between torch trigger modes. Trigger Mode 2T Initiates welding when the torch trigger is pressed and stops when released. Trigger Mode 4T Press the torch trigger once to start welding and release it. Press again to stop the weld. This mode is useful for longer welds and reducing hand fatigue. Spot Mode Spot mode provides precision in creating timed weld spots with controlled intervals and counts. It's ideal for consistent tacking or producing uniform joints across materials.
Setup Mode	Smart Set / Manual / Pulse	Sets the machine in Smart Set, Manual, or Pulse. Smart Set Calculates optimal settings based on the selected Metal, Gas, Wire Diameter and Material Thickness (Current). Pulse Alternates the welding current between a high and low value to aid in heat control and improve weld quality.
Inductance	-10 - 10	Sets the inductance level, which controls the arc's smoothness and spatter
Joint Type	Lap / Edge / Butt / Fillet	Select the joint type being welded.
Metal	Steel / Flux Cored / Stainless / Aluminium (Almg)	Select the metal type being welded.
Gas	93%Ar 5%CO ₂ 2%O ₂ 80%Ar 20%CO ₂ 98%Ar 2%CO ₂ Ar (100%)	Select the gas mixture being used.

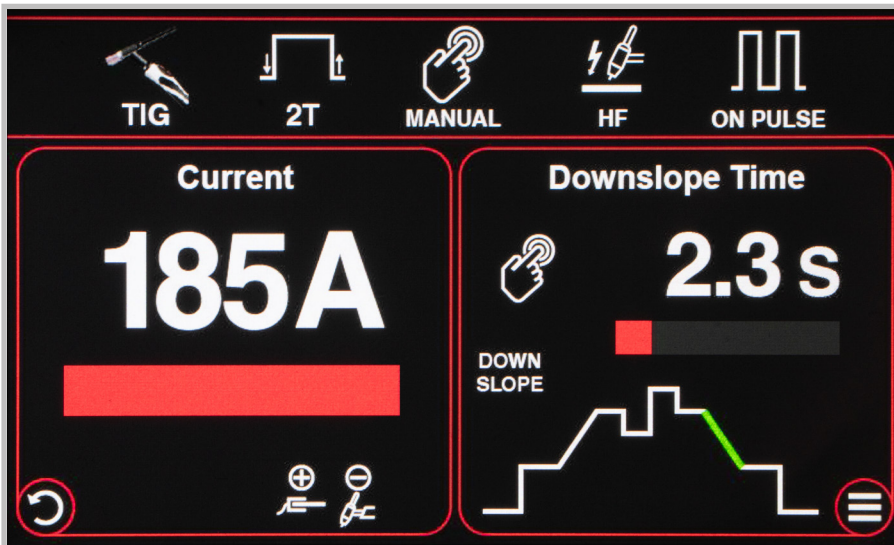
Parameter	Value	Description
Wire Diameter	0.8mm - 1.0mm	Select the wire diameter being welded.
Torch Selection	Torch / Spool Gun	Select if a standard MIG torch or spool gun is being used.
Wire Feed Speed	1.5m/min - 16.5m/min	Sets the wire feed speed while welding. Only available in Manual MIG.
Voltage	11.0V - 28.0V	Sets the voltage while welding. Only available in Manual MIG.

 The settings available will depend on the welding parameters selected.

7.3.2 Advanced Welding Parameters

Parameter	Value	Description
Pre-flow Time	0.10s - 3.00s	Sets the duration of shielding gas released before the arc ignites.
Post-flow Time	0.2s - 2.0	Sets the duration of shielding gas released after the welding arc stops.
Burnback	0.05s - 0.50s	Sets how long the wire will stay charged after feeding stops, ensuring the wire end is clean for the next start, reducing the risk of wire sticking to the workpiece.
Spot Welding Time	0.1s - 5.0s	Sets the duration for each spot weld.
Restore Default		Restores all welding parameters to their default value

7.4 TIG Mode



1. **Press** the left control knob to cycle between the top settings bar and the main weld parameters.
2. **Turn** the left control knob to scroll through the settings bar or adjust the Current.
3. **Press** the left control knob when hovering over a setting to select it.
4. **Turn** the right control knob to scroll through the TIG parameters. **Press** and turn the right control knob to select and adjust a parameter.
5. **Press** the left control knob when hovering over the advanced settings option to enter the Advanced Settings Menu.
6. **Turn** the left control knob to scroll through the advanced parameters. **Turn** the right control knob to adjust the parameter that is being hovered over.
7. **Press** the Back button to return to the main welding screen.

7.4.1 Welding Parameters

Parameter	Value	Description
Trigger	2T / 4T / SPOT	Switch between torch trigger modes. Trigger Mode 2T Initiates welding when the torch trigger is pressed and stops when released. Trigger Mode 4T Press the torch trigger once to start welding and release it. Press again to stop the weld. This mode is useful for longer welds and reducing hand fatigue. Spot Mode Spot mode provides precision in creating timed weld spots with controlled intervals and counts. It's ideal for consistent tacking or producing uniform joints across materials.
Setup Mode	Smart Set / Manual	Sets the machine in Smart Set or Manual. Smart Set Calculates optimal settings based on the selected Metal, Tungsten Size and Material Thickness (Current).
Metal	Steel / Stainless	Select the metal type being welded.
Joint Type	Lap / Edge / Butt / Fillet	Select the joint type being welded.
Tungsten Size	1.6mm / 2.4mm	Select the tungsten diameter being used.
Arc Start	HF / Lift	Switch between high-frequency arc ignition and lift arc ignition.
Pulse	On Pulse / Off Pulse	Alternates the welding current between a high and low value to aid in heat control and improve weld quality.
Remote Mode	Torch / Foot Pedal / Off	Sets the remote mode of the machine.
Gas	Ar (100%)	Select the gas mixture being used.
Current	20A - 185A	Sets the maximum current level while welding.
Pre-flow Time	0.1s - 5.0s	Sets the duration of shielding gas released before the arc ignites.

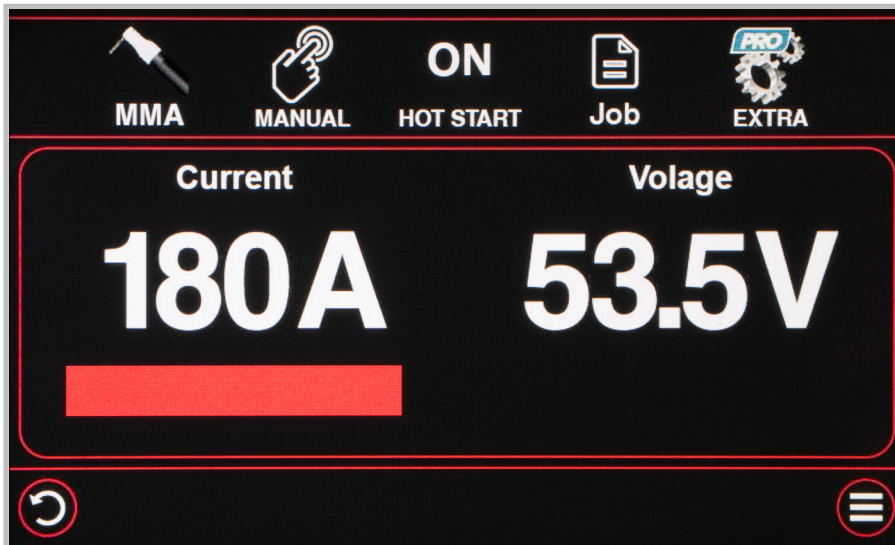
Parameter	Value	Description
Initial Current	20% - 150%	Sets the amperage at the beginning of the welding process.
Upslope Time	0.0s - 15.0s	Sets the time the welding current takes to rise from the Initial to the main welding current.
Background Current	20% - 80%	Sets the Background Current as a percentage of the main welding current.
Pulse Frequency	0.5Hz - 200Hz	Sets the number of pulse cycles every second.
Pulse Duty Ratio	1% - 99%	Sets the amount of time the arc stays at its peak amperage during the pulse cycle.
Downslope Time	0.0s - 15.0s	Sets the time the welding current takes to decrease from the main welding current to the Finish Current.
Finish Current	20% - 80%	Sets the final welding current value before the arc stops.
Post-flow Time	0.5s - 10.0s	Sets the duration of shielding gas released after the welding arc stops.

 The settings available will depend on the welding parameters selected.

7.4.2 Advanced Welding Parameters

Parameter	Value	Description
Spot Weld Time	0.1s - 5.0s	Sets the duration for each spot weld.
Minimum Remote Current	20A - 185A	Sets the minimum amperage of the machine. Only available when in a Remote Mode.
Restore Default		Restores all welding parameters to their default value

7.5 MMA Mode



1. **Press** the left control knob to cycle between the top settings bar and the main weld parameters.
2. **Turn** the left control knob to scroll through the settings bar or adjust the Current.
3. **Press** the left control knob when hovering over a setting to select it.
4. **Press** the left control knob when hovering over the advanced settings option to enter the Advanced Settings Menu.
5. **Turn** the left control knob to scroll through the advanced parameters. **Turn** the right control knob to adjust the parameter that is being hovered over.
6. **Press** the Back button to return to the main welding screen.

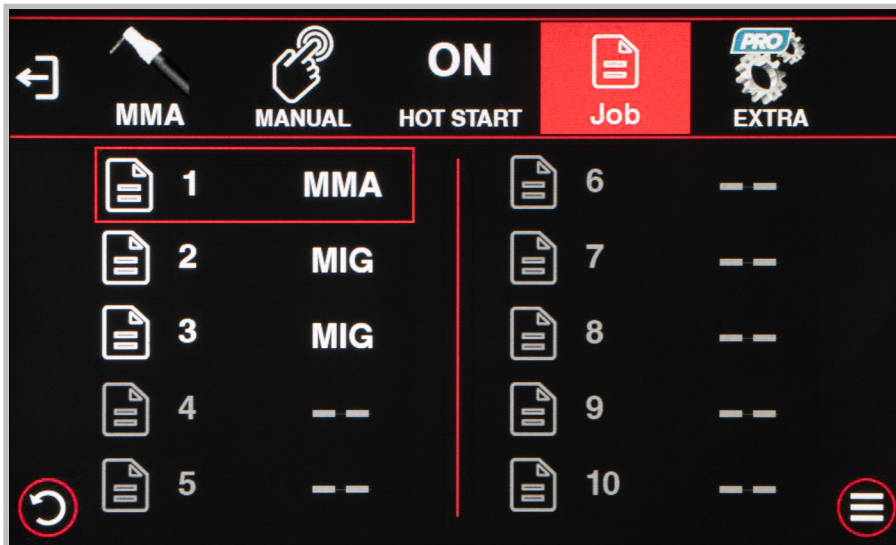
7.5.1 Welding Parameters

Parameter	Value	Description
Current	20A - 180A	Sets the current while welding.
Setup Mode	Manual	Sets the machine to Manual.
Hot Start	On / Off	Hot Start boosts the initial welding current for a short duration to ensure a reliable arc start.

7.5.2 Advanced Welding Parameters

Parameter	Value	Description
Hot Start Current	0 - 100A	Sets the amount of initial boost in the welding current. <i>Only available when Hot Start is set to On.</i>
Arcforce Current	0 - 80A	The level of current boost when the machine senses voltage drops, improving arc stability and preventing electrode sticking.
Restore Default		Restores all welding parameters to their default value

7.6 Job Menu



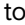
The Job Menu can be accessed via the settings bar in any of the weld modes.

1. **Press** the left control knob while hovering over the Job option in the MIG/TIG/MMA Mode to open the Job Menu screen.
2. **Turn** the left control knob to choose a Job. **Press** to select it.

7.6.1 Saving a Job

1. **Press** the left control knob to select an empty Job slot. This will display a list of the settings being saved.
2. **Press** the left control knob to select “Save as new Job.”

7.6.2 Loading a Job

1. **Press** the left control knob to select a saved Job. This will display the settings of the Job selected.
2. **Press** “Load Job” to load the parameters.
3. **Press** the Back button  to return to the welding screen with the job parameters loaded in.

7.6.3 Deleting a Job

1. **Press** the left control knob to select a saved Job. This will display the settings of the Job selected.
2. **Press** “Delete Job” to remove it from the list.

7.7 Machine Settings Menu



1. **Press** the Menu button to open the Machine Settings screen.
2. **Turn** and **press** the left control knob to select a setting and adjust it.

7.7.1 Settings Parameters

Setting	Value	Description
Brightness	High / Medium / Low	Sets the brightness level of the screen.
Machine Info		Machine information including serial number, machine model, user interface version and variant.
Restore Factory Settings	Confirm / Cancel	Factory reset the machine.

8. Maintenance

How often the machine is used and the working environment it is in should both be considered when planning the frequency of maintenance. In severe conditions, maintenance should occur more frequently.

Proper operation of the machine and regular preventive maintenance will help avoid equipment failure, increase the life-span of the machine and ensure problem-free welding.

⚠ Turn the machine off and unplug it from the mains before beginning any maintenance.

Before each use, check your gas hose, earth clamp and cable, and power cable are in good condition. Check that all connections are properly fastened. Any loose connections can inhibit welding performance and cause damage.

- Check that all covers and components are intact.
- Check all electrical cables and connections every 6 months.
- Clean any oxidised connections and tighten them.
- Clean dirt and dust from the outside and inside of the unit with a vacuum cleaner and soft brush.

ⓘ Do not use any pressure-washing devices. Do not use compressed air, the pressure may pack the dirt even more tightly into components.

⚠ Only authorised electricians or service repair agents should carry out repairs and internal servicing.

For repairs, contact UNIMIG at unimig.com.au or contact your local dealer.

9. Troubleshooting

i The issues and potential reasons outlined are not exhaustive but indicate common scenarios that might arise with regular use of the machine.

9.1 Machine Troubleshooting

Problem	Recommended Actions
The machine does not power up	<ul style="list-style-type: none"> • Check that the power cable is plugged in properly. • Check that the mains switch of the power source is at the ON position. • Check that the mains power distribution is on. • Check the mains fuse and/or the circuit breaker.
The machine stops working	<ul style="list-style-type: none"> • The torch may have overheated. Wait for it to cool down. • Check that none of the cables are loose. • The power source may have overheated. Wait for it to cool down and see that the cooling fans work properly and the air flow is unobstructed.

9.2 MIG Troubleshooting

Problem	Recommended Actions
Excessive spatter	<ul style="list-style-type: none"> • The wire feed speed may be too high, select a lower wire feed speed. • The voltage may be too high, select a lower voltage setting. • The polarity may be wrong, check the polarity (See "6.1 Connecting the MIG Torch" on page 17). • The stickout may be too long, bring the torch closer to the workpiece. • Remove materials like paint, grease, oil, and dirt, including mill scale from the base metal. Use clean, dry, rust-free wire. Do not lubricate the wire with oil, grease etc. • The gas flow may be wrong, check the gas is connected, check hoses, gas valve and torch are not restricted or leaking. Set the gas flow to the recommended flow rate.
Porosity	<ul style="list-style-type: none"> • Check that the correct gas is being used. The gas flow may be wrong, check the gas is connected, check hoses, gas valve and torch are not restricted or leaking. Set the gas flow to the recommended flow rate. Protect the welding zone from wind and drafts. • Remove all moisture from the base metal before welding. • Remove materials like paint, grease, oil, and dirt, including mill scale from the base metal. Use clean, dry, rust-free wire. Do not lubricate the wire with oil, grease etc. • The gas nozzle may need to be cleaned or replaced. • Check the gas diffuser is in place and replace if damaged. • Check the MIG torch Euro connect O-ring is in place and replace if damaged.
Wire stubbing during welding	<ul style="list-style-type: none"> • Bring the torch closer to the workpiece and maintain a stickout of 5-10mm. • The voltage may be too low, increase the voltage. • The wire feed speed may be too high, decrease the wire feed speed.

Problem	Recommended Actions
Lack of fusion	<ul style="list-style-type: none"> • Remove materials like paint, grease, oil, and dirt, including mill scale from the base metal. • Select a higher voltage range and/or adjust the wire speed to increase the heat input. • The welding technique being used may be incorrect (See "MIG Welding Basics" on page 70).
Lack of penetration	<ul style="list-style-type: none"> • The joint preparation may be incorrect, or the material is too thick. The joint preparation and design should allow access to the bottom of the groove while maintaining proper welding technique. • Select a higher voltage range and/or adjust the wire speed to increase the heat input. • Reduce the travel speed. • Remove materials like paint, grease, oil, and dirt, including mill scale, from the base metal.
Excessive penetration/Burnthrough	<ul style="list-style-type: none"> • Select a lower voltage range and/or adjust the wire speed to lower the heat input. • Increase the travel speed.
The wire doesn't feed	<ul style="list-style-type: none"> • Check that the weld mode is set to the MIG position. • Check that the torch selection is set to the 'standard' position for MIG welding and 'spool gun' when using the spool gun.
Inconsistent/interrupted wire feeding	<ul style="list-style-type: none"> • The polarity may be wrong, check the polarity (See "6.1 Connecting the MIG Torch" on page 17). • The wire feed speed or voltage settings may be incorrect. • The MIG torch lead may be too long for the wire, small diameter or soft wires like aluminium don't feed well through long torch leads. • Remove any kinks in the MIG torch and reduce any sharp angles. The torch should be held as straight as possible. • Check the contact tip is the correct size and type. • The liner maybe be worn or clogged, try to clear the liner as a temporary measure. It is recommended to replace the liner. • Check the liner is the correct size and type. • Clear or replace the inlet guide tube if it's blocked or worn. • Check the wire is properly lined up in the drive roller groove. • Check the drive rollers are the correct size and type and that they're not worn. • Check the drive roller pressure - see "6.7 Installing & Replacing the Drive Rollers" on page 26 for how to correctly tension the rollers. • Check the tension on wire spool hub. • Check the wire isn't crossed over or tangled, if it is, remove the spool and untangle or replace the wire. • Use clean, dry, rust-free wire. Do not lubricate the wire with oil, grease etc.

9.3 TIG Troubleshooting

Problem	Recommended Actions
Tungsten burning away quickly	<ul style="list-style-type: none"> • Check that the correct gas is being used. • Check the gas is connected, check hoses, gas valve and torch are not restricted or leaking. Set the gas flow to the recommended flow rate. • Check the back cap is fitted correctly and that the O-ring is inside the torch body. • The polarity may be wrong, check the polarity (see "6.3 Connecting the TIG Torch" on page 20). • Check the right tungsten is being used and change the tungsten type if necessary. • Keep the shielding gas flowing 10-15 seconds after arc stoppage to prevent tungsten oxidation.
Contaminated tungsten	<ul style="list-style-type: none"> • Don't let the tungsten touch the weld pool. Raise the torch so that the tungsten is off the workpiece 2-5mm. • Don't let filler rod touch the tungsten during welding. Feed the filler rod into the leading edge of the weld pool in front of the tungsten.
Porosity	<ul style="list-style-type: none"> • Check that the correct gas is being used. • Check the gas is connected, check hoses, gas valve and torch are not restricted or leaking. Set the gas flow to the recommended flow rate. • Remove materials like paint, grease, oil, and dirt, including mill scale, from the base metal & filler rod. • Check the filler rod is correct and change if necessary.
Yellowish residue/smoke on the ceramic cup & discoloured tungsten	<ul style="list-style-type: none"> • Check that the correct gas is being used. • Check the gas is connected, check hoses, gas valve and torch are not restricted or leaking. Set the gas flow to the recommended flow rate. • The cup size may be too small, use a bigger cup size.
Unstable arc while welding	<ul style="list-style-type: none"> • The polarity may be wrong, check the polarity (see "6.3 Connecting the TIG Torch" on page 20). • Remove materials like paint, grease, oil, and dirt, including mill scale, from the base metal. • The tungsten may be contaminated, remove 10mm of the contaminated tungsten and re-grind the tungsten. • The arc length may be too long, lower the torch so that the tungsten is off the workpiece 2-5mm.
Arc wandering while welding	<ul style="list-style-type: none"> • Check the gas is connected, check hoses, gas valve and torch are not restricted or leaking. Set the gas flow to the recommended flow rate. • The amperage may be too low, increase the amperage. • The arc length may be too long, lower the torch so that the tungsten is off the workpiece 2-5mm. • Check that correct type of tungsten is being used and it's not contaminated. Remove 10mm of the contaminated tungsten and re-grind the tungsten. • The tungsten may be poorly prepared. Grind marks should run lengthwise with tungsten, not circular. • Remove materials like paint, grease, oil, and dirt, including mill scale, from the base metal & filler rod.
Arc difficult to start or won't start	<ul style="list-style-type: none"> • Check the machine set up is correct. • Check that the correct gas is being used. • Check the gas is connected, check hoses, gas valve and torch are not restricted or leaking. • Check the right type & size tungsten is being used and change the tungsten type if necessary. • Check all the connections are tight. • Connect the earth clamp directly to the workpiece.

9.4 MMA Troubleshooting

Problem	Recommended Actions
No arc	<ul style="list-style-type: none"> • Check the earth lead and all connections are tight. • Check that the machine is switched on and has a power supply. • Check that the weld mode is set to the MMA position.
Porosity	<ul style="list-style-type: none"> • The arc length may be too long, move the electrode closer to the workpiece. • Remove materials like paint, grease, oil, and dirt, including mill scale, from the base metal. • Only use dry electrodes.
Excessive spatter	<ul style="list-style-type: none"> • The amperage may be too high, reduce the amperage. • The arc length may be too long, move the electrode closer to the workpiece.
Lack of fusion	<ul style="list-style-type: none"> • The amperage may be too low, increase the amperage. • Remove materials like paint, grease, oil, and dirt, including mill scale, from the base metal. • Use the correct welding technique (See "13. MMA Welding Guide" on page 81).
Lack of penetration	<ul style="list-style-type: none"> • The amperage may be too low, increase the amperage. • Use the correct welding technique (See "13. MMA Welding Guide" on page 81). • Check the joint design and fit up is correct and the material isn't too thick.
Excessive penetration/Burnthrough	<ul style="list-style-type: none"> • The amperage may be too high, reduce the amperage. • Increase the travel speed.
Uneven weld appearance	<ul style="list-style-type: none"> • Use two hands where possible to hold the electrode steady. • Use the correct welding technique (See "13. MMA Welding Guide" on page 81).
Distortion	<ul style="list-style-type: none"> • The amperage may be too high, reduce the amperage. • Use the correct welding technique - (See "13. MMA Welding Guide" on page 81). • Check the joint design and fit up is correct and the material isn't too thick.
Unusual or poor arc characteristics	<ul style="list-style-type: none"> • The polarity may be wrong, check the polarity (See "6.6 Connecting the MMA Electrode Holder" on page 21).

9.5 Error Codes

Error Code	Name	Description	Potential Action
E10	Over-current	The machine output is exceeding its limit.	Restart the machine. If the problem persists, contact UNIMIG customer service.
E20	Wire Feeder Over-current	The wire drive output is exceeding its limit.	The resistance on the wire may be too high, lower the tension on the wire. If the problem persists, contact UNIMIG customer service.
E31	Low Input Voltage	The machine isn't getting enough voltage to operate.	Remove extension leads or try a different outlet. If the problem persists, contact UNIMIG customer service.
E32	High Input Voltage	The machine is receiving too much voltage, which can cause damage to the internal components.	Try a different outlet. If the problem persists, contact UNIMIG customer service.
E33	PFC Output Malfunction	The PFC board in the machine isn't working.	If the problem occurs, contact UNIMIG customer service.
E34	Driver Under Voltage Malfunction	The main control board's PWM driver module has malfunctioned.	If the problem occurs, contact UNIMIG customer service.
E60	Overheat	The welder is overheating.	Check the fan is operating, wait for the welder to cool down. Check the fan cable wiring is properly connected and in good condition and restart the machine. If the problem persists, contact UNIMIG customer service.
E61	Overheat	The welder is overheating.	Check the fan is operating, wait for the welder to cool down. Check the fan cable wiring is properly connected and in good condition and restart the machine. If the problem persists, contact UNIMIG customer service.

10. General Welding Information

10.1 Metal Preparation

Proper preparation of the metal surface is crucial for achieving a good quality weld and cannot be overstated. Each type of metal may require slightly different approaches, especially in terms of cleaning and edge preparation, to adapt to its specific properties and behavior during welding.

Mild Steel

- **Cleaning:** Start by removing any rust, paint, oil, or grease from the surface. Use a wire brush or grinder to clean the metal. It's essential to start with a clean surface to avoid contamination of the weld pool.
- **Degreasing:** Wipe down the surface with a solvent such as acetone or a commercial degreaser to remove any residual oils or contaminants that might interfere with the welding process.
- **Edge Preparation:** If welding thicker pieces, bevel the edges to allow the weld to fully penetrate the joint. The angle and depth of the bevel depend on the thickness of the metal.
- **Fit up:** Ensure that the pieces to be welded fit together well without large gaps. A good fitup helps achieve a strong and uniform weld.

Stainless Steel

- **Cleaning:** Similar to mild steel, all surfaces must be cleaned of any contaminants. Use a stainless steel wire brush (one dedicated to stainless steel to avoid cross-contamination with other metals) to remove any surface debris.
- **Degreasing:** Clean the surface with a high-purity solvent like acetone to remove any oils or residues. This step is crucial for stainless steel to prevent any interference with the weld quality.
- **Edge Preparation:** Bevel the edges if necessary, especially for thicker pieces. Stainless steel requires precise edge alignment to ensure a quality weld, so take extra care during this step.
- **Avoiding Contamination:** Use dedicated tools for stainless steel to avoid iron contamination from regular steel tools. This can lead to rust and corrosion.

Aluminium

- **Cleaning:** Aluminium oxidises very quickly when exposed to air. Use a stainless steel wire brush to remove the oxide layer just before welding, as this layer can contaminate the weld pool if not removed.
- **Degreasing:** Clean the metal with a solvent like acetone immediately after brushing to ensure that no oils or moisture are present, which can cause porosity in the welds.
- **Edge Preparation:** Beveling may be necessary depending on the thickness of the metal. Aluminium requires careful preparation as it is more sensitive to heat and can warp easily.
- **Drying:** Aluminium has a high affinity for moisture, so ensure that the metal is completely dry before welding. Moisture can lead to hydrogen porosity in the weld.

10.2 Beveling

The standard bevel for pipe and plate in welding is primarily determined by the thickness of the materials and the type of weld joint being prepared. Beveling is done to ensure that the weld can fully penetrate the joint, which is crucial for the structural integrity of the weld. It is primarily used to prepare butt joints for welding.

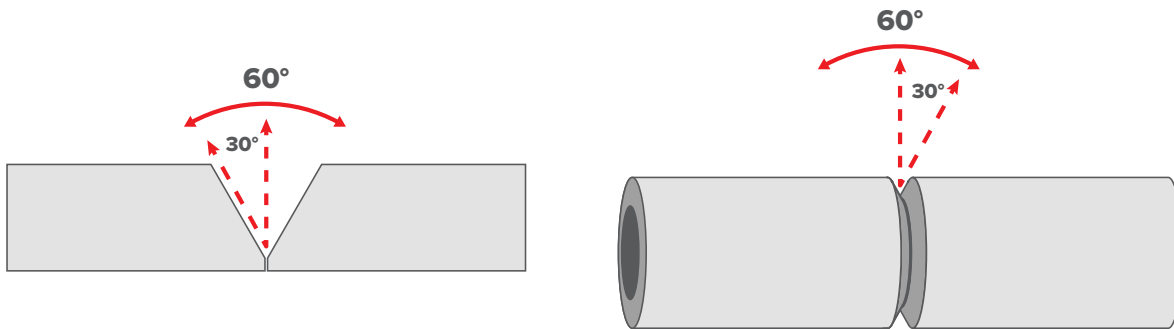
Here's a general breakdown of typical bevels used for both pipes and plates:

Thickness below 3mm: Typically, no beveling is required for material thinner than 3mm. A square butt joint is usually sufficient as the weld can penetrate through the entire thickness.

Thickness 3mm to 12mm: A single-V bevel is often used. The angle might start from about 30° for thinner sections up to about 37.5° for closer to 12mm thick material.

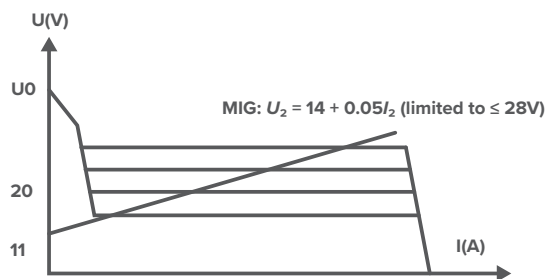
Thickness above 12mm: Double-V bevels become more common as the thickness increases, reducing the amount of filler material needed and ensuring better weld penetration.

The specific bevel angle and type also depend on the welding standards being followed (such as AWS, ASME, etc.), the welding process used, and the requirements of the specific project or industry. For precise applications, always refer to the welding specification or consult a welding engineer to determine the most appropriate bevel for a given situation.



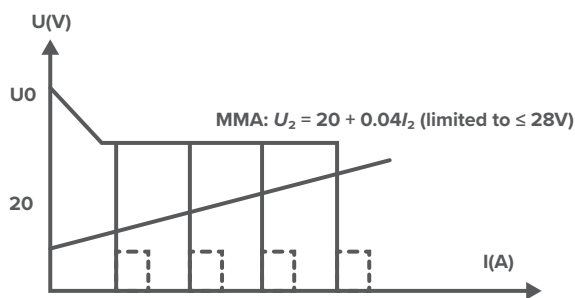
10.3 External (Static) Characteristic Curves

MIG Welding



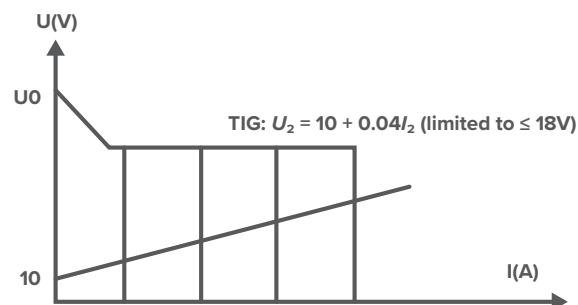
MIG welding has a flat characteristic curve. The external (static) voltage-current relationship is shown in the graph.

MMA Welding



MMA welding has a drooping (or falling) characteristic curve. The external (static) voltage-current relationship is shown in the graph.

DC TIG Welding



DC TIG welding has a drooping (or falling) characteristic curve. The external (static) characteristic curve is shown in the graph.

11. MIG Welding Guide

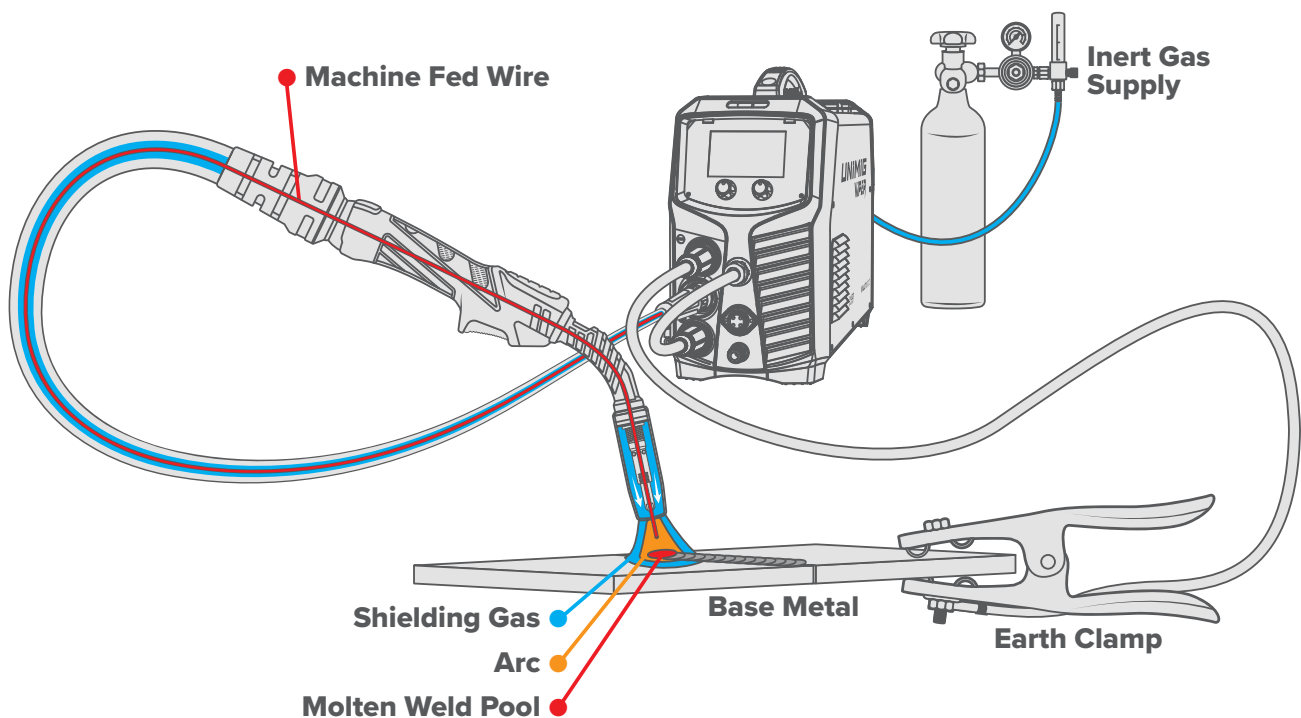
What is MIG Welding?

Metal Inert Gas (MIG) welding is an arc welding process in which a solid wire electrode is continuously fed through a welding gun into a weld pool. An arc is formed between the wire electrode and base metal, melting the base material while consumable filler wire is deposited, creating the weld.

At the same time, a shielding gas is fed through the welding torch to protect the weld from outside contaminants.

MIG welding is also known as Gas Metal Arc Welding (GMAW).

MIG welding can be done with both solid wires and flux-cored wires. Flux-cored welding is a variant of MIG welding.



What is Flux-Cored Welding?

Flux-cored welding is an arc welding process where a tubular (hollow) wire electrode is continuously fed through a welding gun into a weld pool. An arc is formed between the wire electrode and base metal, melting the base material while consumable filler wire is deposited, creating the weld.

Flux-cored welding doesn't require a shielding gas. Instead, as the wire melts and deposits metal, the flux compound in the wire dissolves and releases vapours (gases). These gases rise to the surface of the weld pool, where they solidify and create a protective slag layer over the weld.

Flux-cored welding is also known as Flux-Cored Arc Welding (FCAW) and gasless MIG.

How MIG Welding Works

A constant voltage, direct current power source is used with MIG welding. It feeds wire through the driver rollers, into the torch liner and out of the contact tip and nozzle of the MIG torch. When the wire passes through the copper contact tip, it becomes electrically charged with the welding current. The wire comes out of the torch and touches the base metal, creating an arc between the two.

MIG welding is considered a semi-automatic process because the wire feeding is automatic, but the torch movement is done by hand.

There are two main parameters when MIG welding: voltage and wire feed speed.

The voltage determines how much heat is in the weld. Turning it up or down will adjust how much welding current is added to the weld.

The wire feed speed determines how much wire per minute is added to the weld. The more wire that's added, the cooler the weld will be, and vice versa.

Your voltage and wire feed speed generally work in harmony together and will determine the mode of metal transfer.

Modes of Metal Transfer

There are four main ways filler metal can be transferred from the torch into the base:

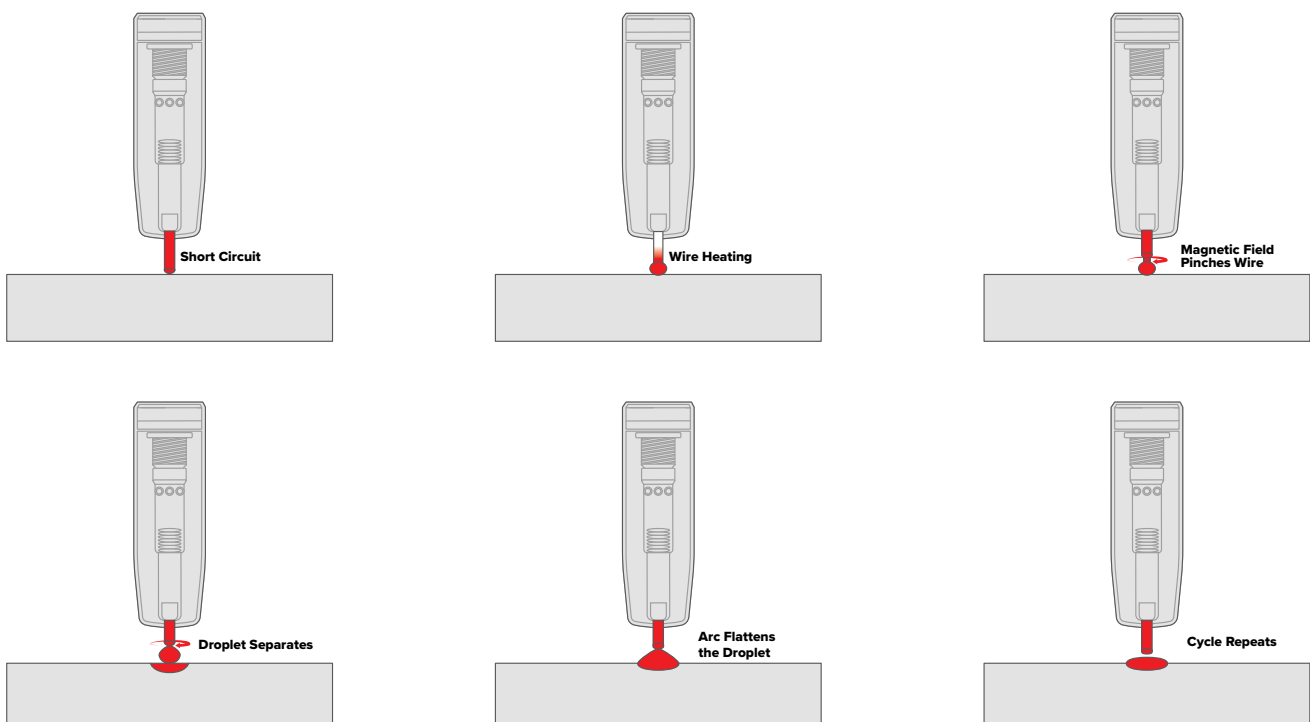
- Short Circuit
- Globular
- Spray
- Pulse Spray

Short Circuit Transfer

Metal is transferred by the short circuit mode when the wire is fed into and connects with the puddle, shorting the circuit. It is also known as dip transfer.

Short circuit is the most common mode of metal transfer, as it's done with low volts and it can be used in every position – flat, horizontal, vertical, or overhead. It can be run on straight CO₂ or an argon/CO₂ gas mixture.

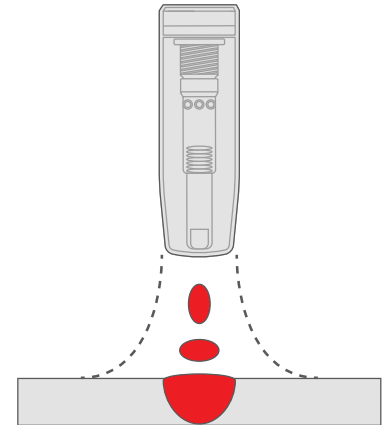
The wire heats up and begins to form a molten bead, which then separates from the end of the wire and forms a droplet that is transferred into the weld pool. This shorting occurs roughly 20 to 200 times a second which makes the arc appear constant to the human eye.



Globular Transfer

Metal is transferred by the globular mode when the wire creates globs of molten metal on the tip that fall into the puddle to make the weld. It looks like a small ball is constantly forming and reforming on the end of your wire. It can be run on straight CO₂ or an argon/CO₂ gas mixture.

Globular is hotter in value, with more wire feed speed and voltage than short circuit, so the weld pool is more fluid. Because the pool is more fluid, it's restricted to flat and horizontal positions only. The bead appearance isn't as smooth, and the process often results in excessive spatter, but it has good penetration.

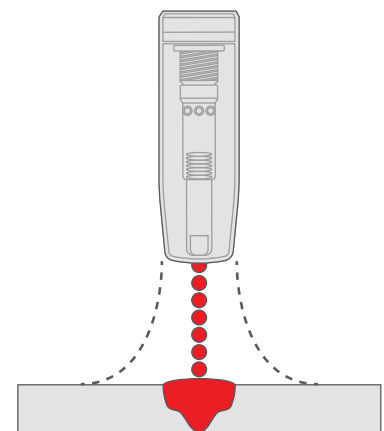


Spray Transfer

Metal is transferred by the spray mode when the amps and voltage are high enough that the wire begins to spray tiny droplets into the pool. These droplets are generally the same size as the wire diameter.

The spray method is usually limited to 6mm or greater thicknesses because of the necessary voltage and wire feed speed needed to move into the spray transfer. Unlike short circuit and globular, it needs to be run on an argon/CO₂ mix of 82% or more.

It's good for heavy fabrication and thick material as it has a deep penetration profile. However, it's so hot and fluid that it's not suitable for vertical up, vertical down, or overhead welding. It's a much cleaner process, though, with almost no spatter.



i To MIG weld aluminium, it's recommended to use a pulse welder to do so. If you want to use a constant voltage, you must use the spray transfer mode. It is not possible to MIG weld aluminium using short circuit or globular.

Pulse Spray Transfer

Pulse spray is similar to the standard spray method, but it 'pulses' between the set amps (the peak amps) and a low point. Having a low point means that the weld has a moment to cool each time, making the pulse spray transfer more versatile. Because the weld pool has time to (briefly) cool, it isn't as fluid, so it can be used in more than just flat positions.

Pulse spray still needs an argon/CO₂ gas mix of 82%/18% and it also requires a machine with the ability to pulse MIG.

Pulse MIG Welding

Pulse welding is a form of spray transfer MIG in which the current alternates between a peak current and a base current.

It offers several advantages, including higher welding speeds and deposition rates, a lower heat input, a spatter-free arc, and a smooth weld appearance. Pulse welding is suitable for all welding positions and is particularly effective for welding aluminum and stainless steel, especially when working with thinner materials.



Pulse

Pulse is a welding process where the current alternates between the base current and the pulse current.



Double Pulse

Double pulse is a welding process that involves two distinct pulse levels, with the welding power fluctuating between these levels.

MIG Welding Basics

The quality of your weld and the weld bead profile depends on several factors, including the direction of travel, the travel angle, the wire stickout, the work angle and how fast you travel along your workpiece.

Torch Length

When MIG welding mild or stainless steel, a 4m or 5m torch will work without issue. When MIG welding aluminium, it is recommended to use a 3m torch, as the shorter length helps to reduce potential wire feeding issues.

If more distance is required, for mild and stainless steel (5m+), or aluminium (3m+), a push-pull gun should be used instead. The addition of the motor on the torch allows the wire to be fed longer distances without problems.

Travel Direction

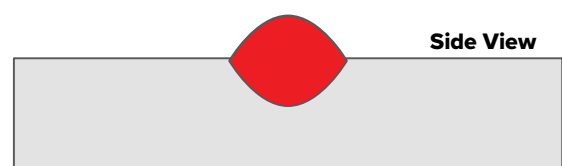
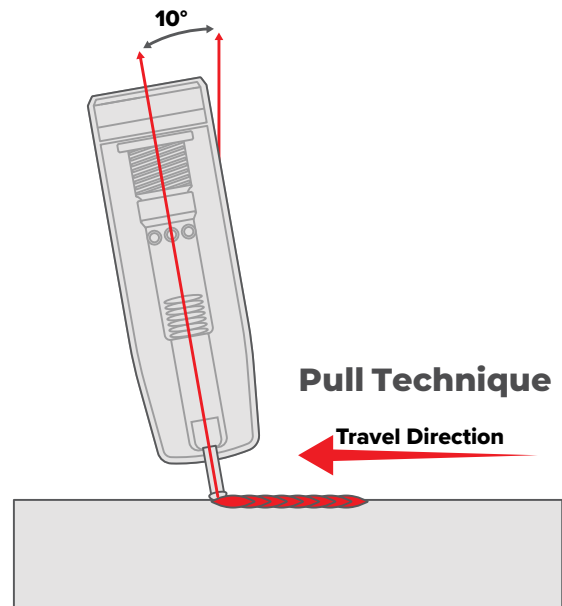
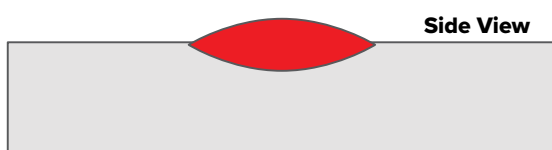
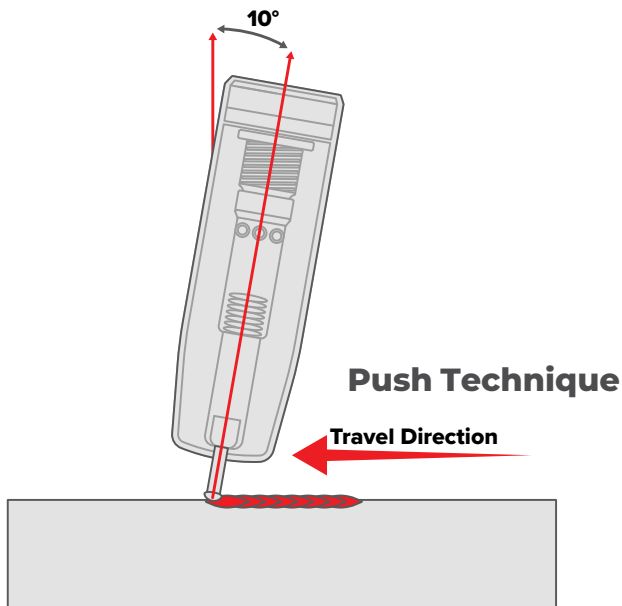
The direction you'll need to travel in will be determined by the type of wire you're using. A push technique should be used when welding with a gas-shielded wire and a pull technique should be used when welding with a flux-cored (gasless) wire.

Push Technique

The push technique is where the wire is located at the leading edge of the weld pool and pushed towards the not yet welded part of the joint. This technique offers a better view of the weld joint and direction of the wire into the weld joint. It directs heat away from the weld puddle, allowing faster travel speeds and providing a flatter and wider weld profile for minimal clean-up.

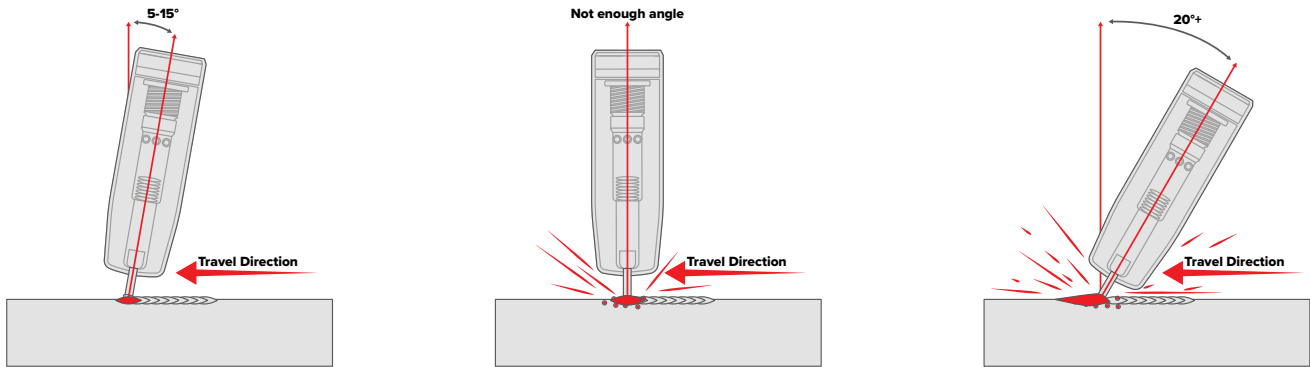
Pull Technique

The pull or drag technique is where the torch and wire are pulled away from the weld bead. The arc and heat are concentrated on the weld pool. The base metal receives more heat, deeper melting, more penetration, and the weld profile is higher with more build-up.

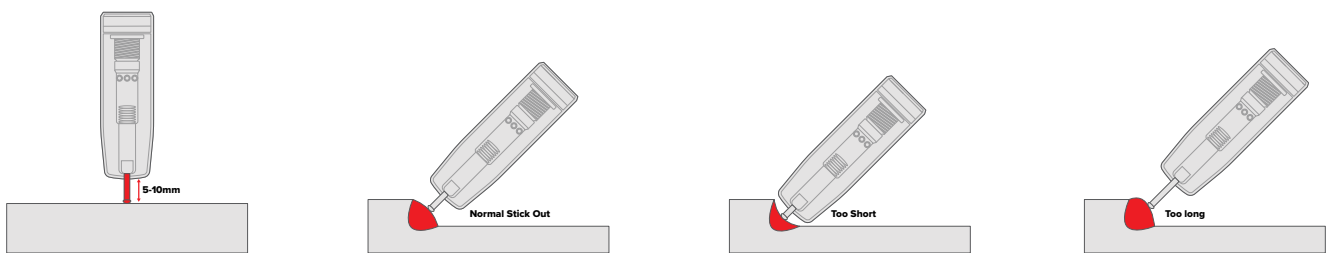


Travel Angle & Distance

The travel angle is the right to left angle of the torch, relative to the direction of welding. Whether you're pushing or pulling, you want to keep your torch at a 10° to 15° angle. If your angle becomes too deep or parallel with the metal you're welding, you increase the spatter amount, decrease penetration, and create more mess that you'll have to clean up later.



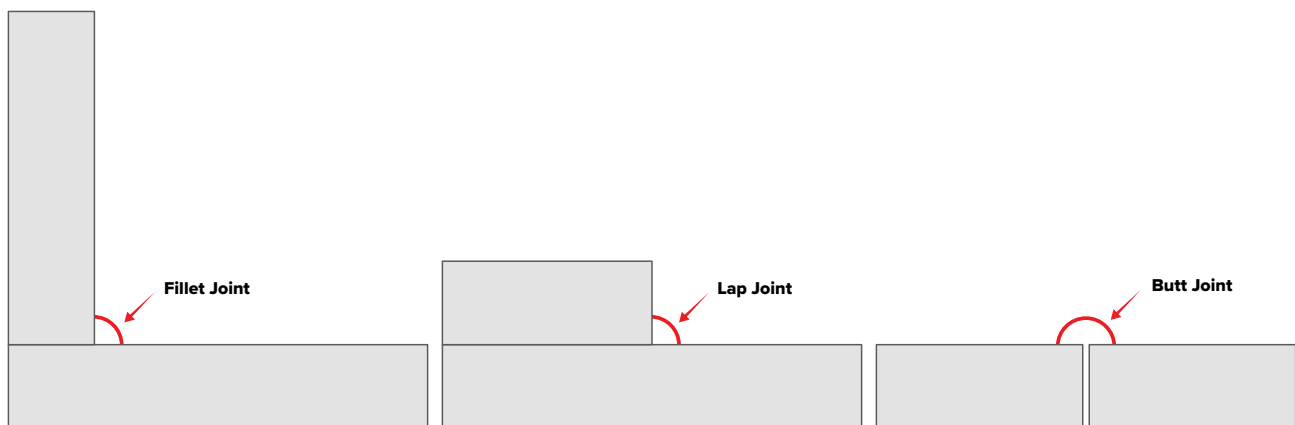
The other important thing to watch is the distance of your wire 'stickout'. The stickout is the length of unmelted wire protruding from the end of the contact tip. You want to maintain the 1cm of stickout throughout the joint for the best weld. If your wire is sticking out too far as it's feeding and your torch nozzle is getting further away from your workpiece, it will cause a few problems.



Work Angle

The work angle is the up and down of your torch in relation to the angle of the joint. There are a few different joint types, and several positions these joints can be found.

T-joint / Fillet Joint	Butt Joint	Lap Joint
90° joint angle	180° joint angle	90° joint angle
45° work angle	90° work angle	60°/70° work angle



Travel Speed

Travel speed is the rate that the gun is moved along the weld joint and is usually measured in mm per minute. The travel speed needs to match the wire feed speed and will decrease as the material thickness and wire feed speed increase.

Travel Speed Too Fast

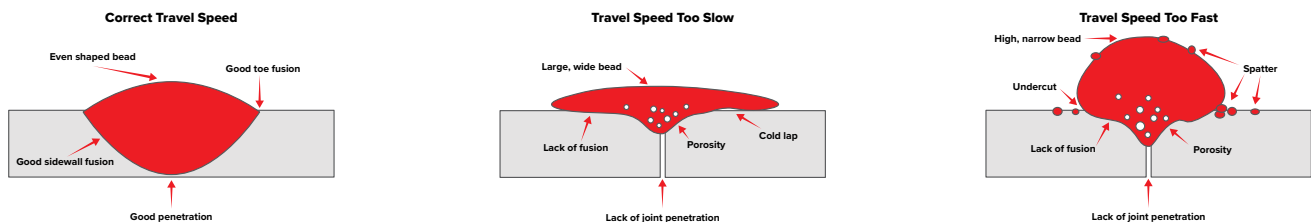
Too fast a travel speed produces too little heat, resulting in less penetration and reduced weld fusion. The weld bead solidifies very quickly, trapping gases inside the weld metal and causing porosity. Undercutting of the base metal can also occur, and an unfilled groove in the base metal is created when the travel speed is too fast to allow molten metal to flow into the weld crater created by the arc's heat.

Travel Speed Too Slow

Too slow a travel speed produces a large weld with a lack of penetration and fusion. The energy from the arc dwells on top of the weld pool rather than penetrating the base metal. This produces a wider weld bead with more deposited weld metal than is required, resulting in a weld deposit of poor quality.

Correct Travel Speed

The correct travel speed keeps the arc at the leading edge of the weld pool, allowing the base metal to melt sufficiently to create good penetration, fusion and wetting out of the toes, producing a weld deposit of good quality.



Wire Type & Size

Use the correct wire type for the base metal being welded. Use stainless steel wire for stainless steel, aluminium wires for aluminium and steel wires for steel.

Using poor quality milled wire can result in poor performance and appearance. To ensure optimal performance when welding, use standards approved wire such as UNIMIG HYPERMIG wire.

Use a smaller diameter wire for thin base metals. For thicker materials use a larger wire diameter and larger machine. Check the recommended welding capability of your machine.

Drive Rollers

The drive rollers in the machine help to guide and feed the wire from the spool and out through the torch. They're designed for different metal types, so make sure you're using the correct drive roller for your metal type.

V Groove Drive Rollers

V groove drive rollers are used for solid wires, such as mild and stainless steel. They're characterised by their 'V' shape and aren't knurled or textured. The shape of the roller is ideal for solid wires as it works to feed the wire without it slipping or deforming the wire.

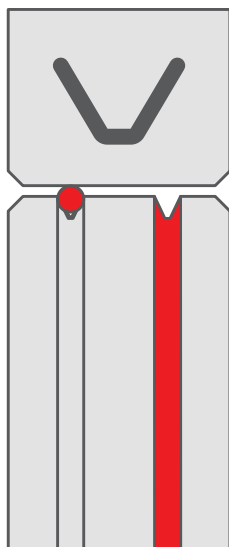
F Groove Drive Rollers

F groove drive rollers, sometimes called knurled drive rollers, are specifically designed for flux-cored (gasless) wires. As their name suggests, these rollers are knurled and can look almost zig-zagged in pattern, or like teeth, in the groove.

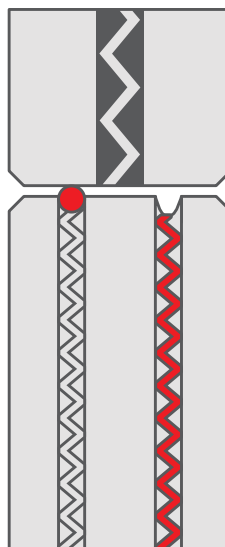
These knurls allow the roller to properly grip the wire as it is fed into the torch without any extra tension. That way, the wire isn't distorted through excessive tension and doesn't lose its shape, which can cause feeding issues.

U Groove Drive Rollers

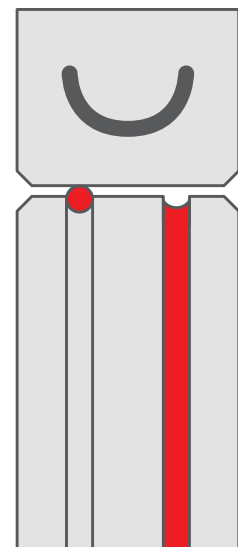
U groove drive rollers are used specifically for aluminium wire, which is a softer wire, so it's more prone to deforming under too much tension. These rollers are also characterised by their 'U' shape and are smooth inside. The U-shaped groove helps to maintain the wire's shape as it is fed through the torch, giving you a smooth wire feed.



V Groove



**F (Knurled)
Groove**



U Groove

12. TIG Welding Guide

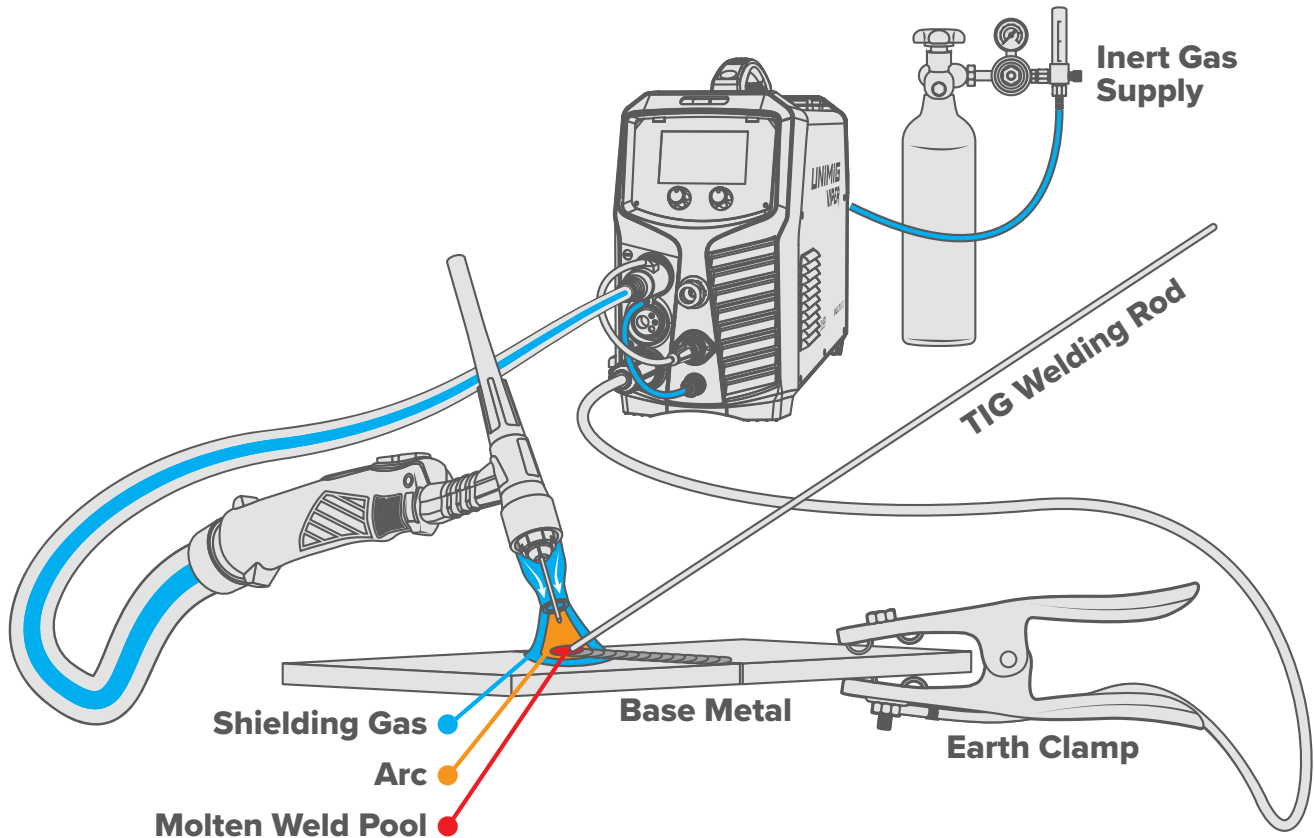
What is TIG Welding?

Tungsten Inert Gas (TIG) welding is an arc welding process in which an arc is formed between a non-consumable tungsten electrode and the workpiece to create the weld.

Filler metal is added manually, though it isn't always necessary.

An inert shielding gas is fed through the TIG torch to protect the weld from outside contaminants.

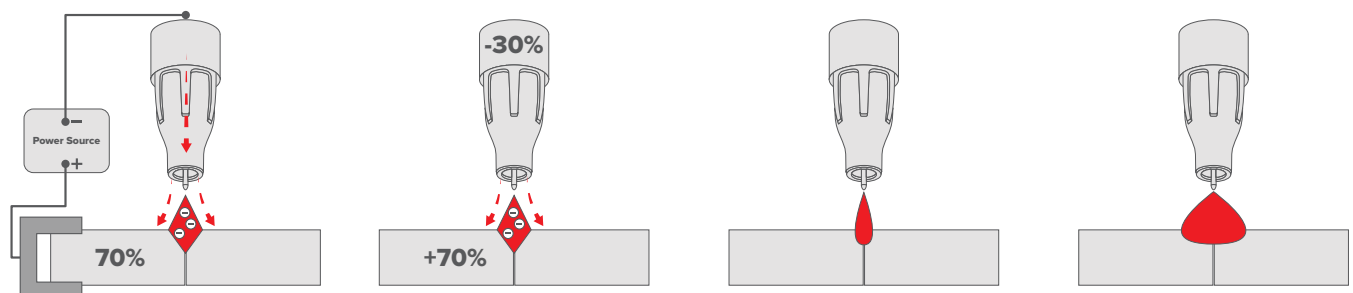
TIG welding is also known as Gas Tungsten Arc Welding (GTAW).



How TIG Welding Works

You can TIG weld two different ways: with alternating current (AC) or direct current (DC). Both need to be run on a constant-current power source to work. Both AC and DC TIG welding are done in negative polarity or Direct Current Electrode Negative (DCEN).

The current is negatively charged and runs from the positive to the negative. This means that 70% of the heat of the arc is concentrated in the workpiece.



An arc is formed between the tungsten electrode and the workpiece. Tungsten has a melting point of 3,422°C, so it can withstand the heat of a welding arc. That's why it is a 'non-consumable' electrode. It doesn't melt and enter the weld pool. To add metal, an additional filler rod can be fed into the weld puddle by hand to form a proper weld.

TIG welding is the only welding process that requires the use of both hands to create the weld, so it is a completely manual process that has a steeper learning curve than MIG or MMA.

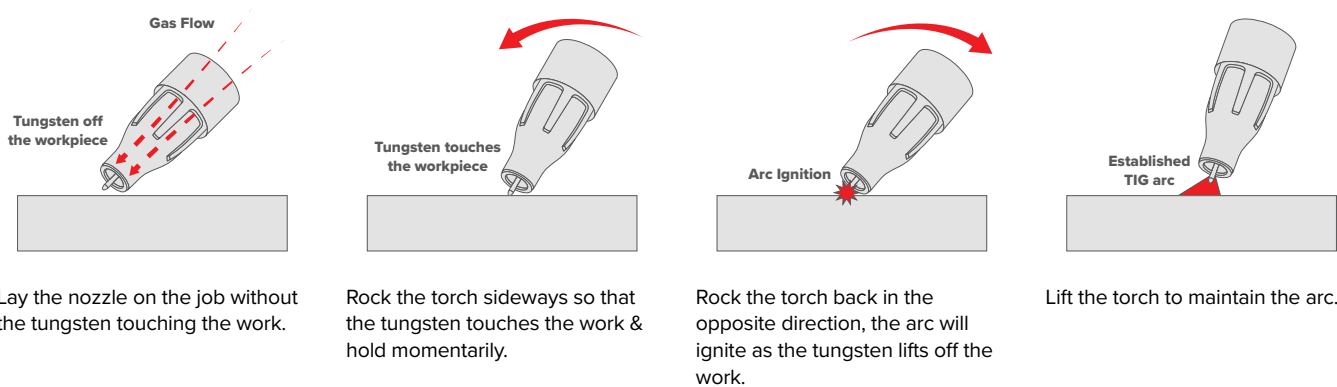
Lift Arc TIG Welding

Lift arc is a form of arc ignition which is done by touching the tungsten electrode to the workpiece and lifting it up to start the arc. When the machine detects that the tungsten has left the surface and a spark is present, it immediately (within microseconds) increases power, converting the spark to a full arc.

Lift arc ignition stops the tungsten tip from sticking to the workpiece and breaking the tungsten electrode, and is a superior option to scratch start.

There is a particular technique called "rocking the cup" used which is the easiest way to start an arc with lift arc.

Hold your torch at a 45° angle, with the gas shroud resting on the workpiece, without touching your tungsten to the metal. Then, in one motion, move the torch up to a 90° angle as the tungsten electrode touches the metal, and then lift it off the workpiece roughly 3mm to initiate the arc.



High-Frequency TIG Welding

High-frequency ignition allows the arc to be started without touching the tungsten to the workpiece. By pressing the torch trigger the machine will activate the gas flow and the high-frequency spark. The spark 'ionises' the air gap, making it conductive, and allowing an arc to be created without touching the tungsten to the workpiece.

High-frequency arc starts remove any chance of tungsten contamination and are the easiest way to start an arc. A high-frequency machine also allows the addition of a foot pedal and other remotes.

Pulse TIG

Pulse welding is a form of welding in which the amperage alternates between a high point and a low point. The high point is referred to as the peak amperage, and the low point is referred to as the base amperage. Pulse welding keeps the overall heat input of a weld low while still maintaining proper penetration.

There are four main variables when it comes to pulse welding: what the peak amperage is, what the base amperage is, how often it pulses, and how long it spends in either amperage setting.

Peak Amperage

The peak amperage is the main welding current set to melt the material being welded and works much the same as setting the maximum amperage values for regular TIG.

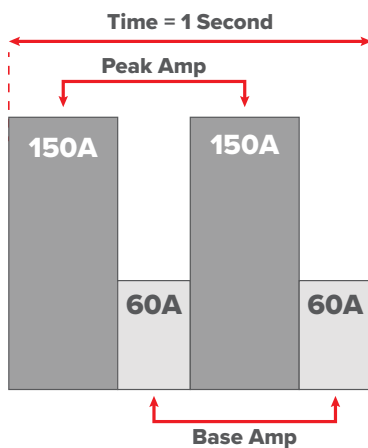
Base Amperage

The base amperage is the set level of background current which cools the weld puddle and effects the overall heat input. As a rule, you want enough background current to reduce the weld pool to about half its normal size while still keeping the weld pool fluid, or around 20%-30% of the peak amperage.

Pulse Frequency

The pulse frequency is the number of pulses per second. 1PPS equals one pulse per second, and 50PPS is 50 pulses per second.

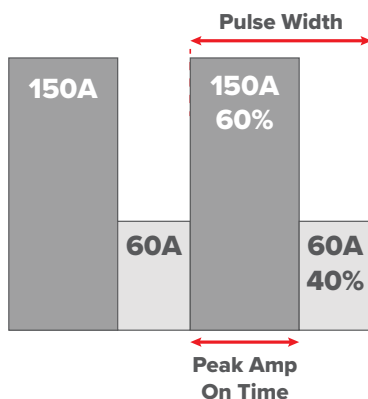
If you're welding thin material, then a fast pulse is better, and it will produce a high profile bead. If you're welding thick material, then a slow pulse is better, and it will produce a low profile bead.



Pulse Width

The pulse percentage is the amount of time spent in the peak and base amperage for each pulse. If you set the percentage to 50%, that means 50% of the pulse cycle will be the peak amperage, and 50% of the pulse will be the base amperage.

You can adjust this either way, where 90% is almost entirely peak amperage and 20% is almost no peak amperage. The more time spent on the peak amperage part of the pulse, the more penetration you're going to get and vice versa.

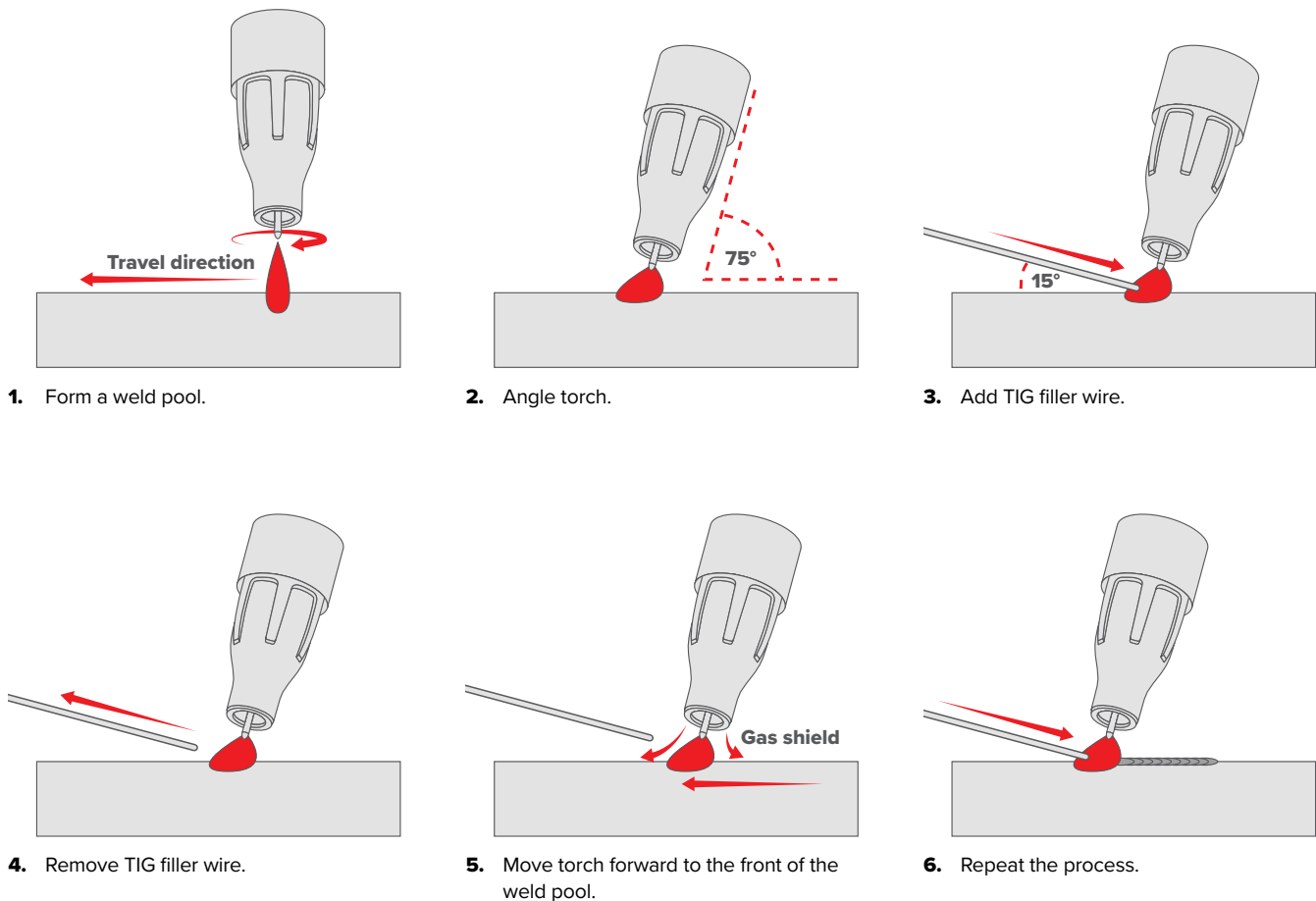


Filler Technique

When TIG welding, you'll almost always need to add filler for good reinforcement and a strong weld. Start the arc and hold the torch in place until a weld pool of the desired size has formed. Once the weld pool is established, tilt the torch at about a 75° angle and move along the joint.

The filler rod is usually held at about a 15° angle and fed into the leading edge of the molten pool. The arc will melt the filler rod into the weld pool as the torch is moved forward. A dabbing technique can be used to control the amount of filler rod that's added. A good rule of thumb is to add the same amount on each dab as the rod's width.

The rod is fed into the molten pool and retracted in a repeating sequence as the torch is moved slowly and evenly forward. It is essential during the welding to keep the molten end of the filler wire inside the gas shield as this protects the end of the wire from being oxidised and contaminating the weld pool.

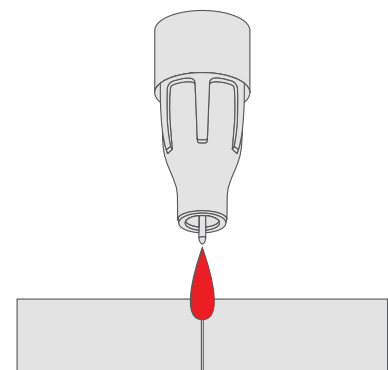


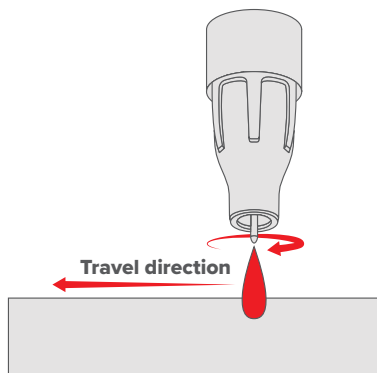
Fusion Technique

While filler material is required a majority of the time, there are some instances when TIG welding where it isn't needed. This is known as fusion, or autogenous, welding. The edges of the metal pieces are melted together using only the heat and arc force generated by the TIG arc.

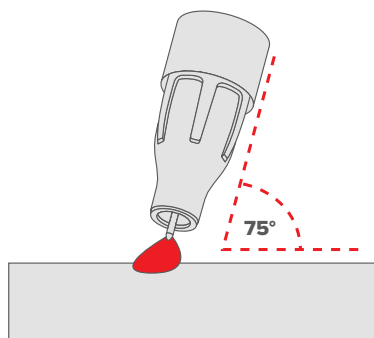
Fusion welding is done the exact same way as TIG welding with filler, minus the filler rod. Start the arc and hold the torch in place until a weld pool of the desired size has formed. Once the weld pool is established, tilt the torch at about a 75° angle and move slowly and evenly along the joint, fusing the materials together.

Fusion welding is primarily used when combining thin materials on edge, corner, and butt joints.

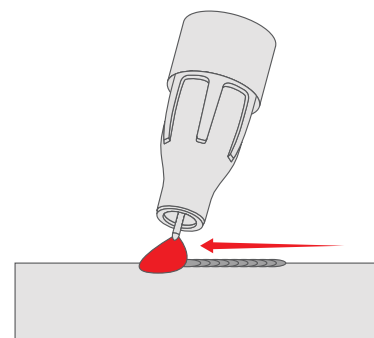




1. Form a weld pool.








2. Angle torch.



3. Move the torch slowly and evenly forward.

Tungsten Selection

	 LANTHANATED (GOLD)	 ZIRCONIATED (WHITE)	 THORIATED (RED)	 RARE EARTH (PURPLE)	 CERIATED (GREY)
AC CURRENT	✓	✓		✓	✓
DC CURRENT	✓		✓	✓	✓
ALUMINIUM	✓	✓		✓	✓
MILD STEEL	✓		✓	✓	✓
STAINLESS STEEL	✓		✓	✓	✓
TITANIUM / COPPER ALLOYS	✓		✓	✓	✓
ARC IGNITION	●●●●●	●●●●●	●●●●●	●●●●●	●●●●●
TUNGSTEN LIFE	●●●●●	●●●●●	●●●●●	●●●●●	●●●●●
ARC STABILITY	●●●●●	●●●●●	●●●●●	●●●●●	●●●●●
RESISTANCE TO CONTAMINATION	●●●●●	●●●●●	●●●●●	●●●●●	●●●●●
AC PERFORMANCE	●●●●●	●●●●●	N/A	●●●●●	●●●●●

This information is intended to act as a guide only, individual results may vary depending on technique, skill and material.

Tungsten Preparation

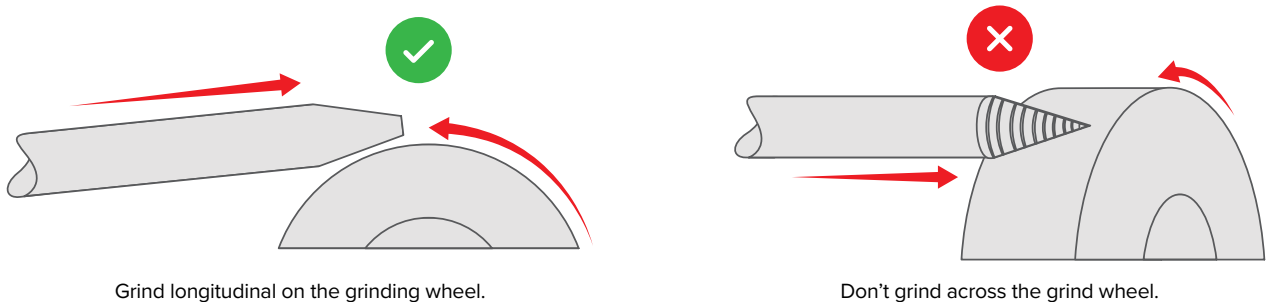
There are a few different ways to prepare your tungsten, and different shapes will give different results on different applications.



The most common tungsten shape to weld stainless and mild steel with is pointed, which produces a focused and stable arc, and works for all DC applications. To get this pointed shape, you'll need a tungsten grinder or a bench grinder (a diamond wheel is best).

If you use a bench grinder, it needs to be dedicated to tungsten preparation, as you can contaminate your tungsten with anything that's leftover on the grinder.

Press your tungsten vertically to the grinder at a 30° angle and rotate at a consistent pace until a point has formed. It's essential to grind with the tungsten's grain (lengthwise) and not against it (horizontal on the grinder) for a few reasons.



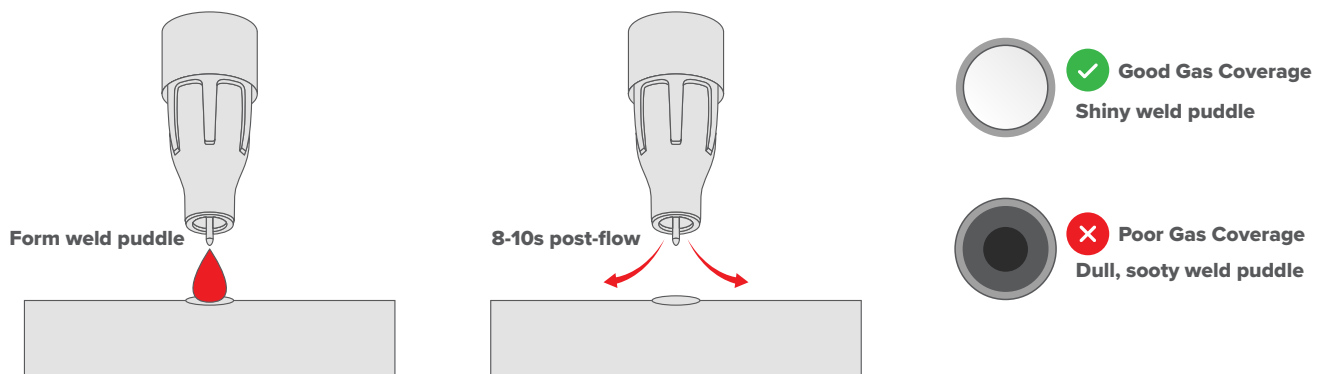
The main reason is that it lowers the number of ridges in the tip of the tungsten. More ridges mean that the arc has more surface to cover, increasing your chances of it wandering or the tip melting off and falling into your weld pool. Your tungsten will also stay sharper for longer if you follow the grain, so you won't need to re-grind it as often.

A truncated/flat tip follows the same preparation as a pointed tip but with the added step of grinding the end, so you get a flat top. This shape works well for both AC and DC applications.

Gas Coverage Check

To ensure you have adequate gas coverage, first form a weld pool on a test piece of metal, then release the trigger and allow for 8-10 seconds of post-flow. If the gas coverage is sufficient, the weld pool will appear shiny and clear. Conversely, if the gas coverage is poor, the weld pool will look dark and sooty.

To address gas coverage issues, make sure the post-flow timing is accurate and adjust the flow rate according to the type of gas and the thickness of the material (see *"Recommended Gas Flow Rates"* on page 43).

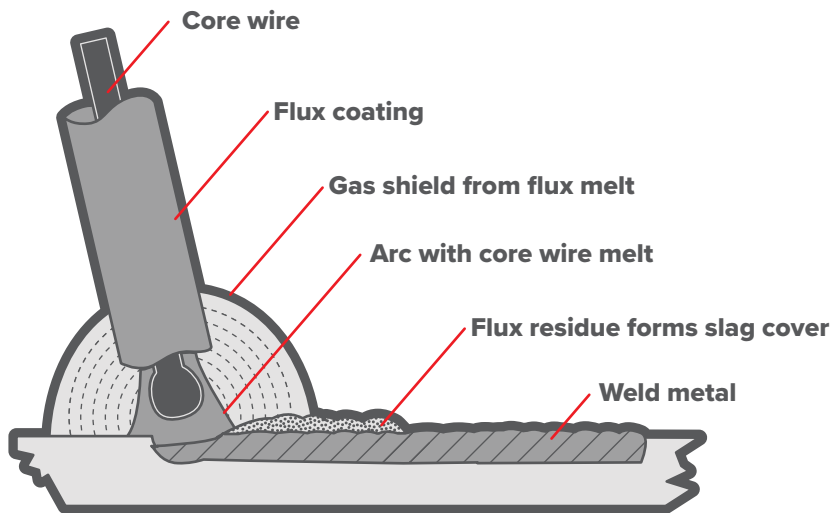


13. MMA Welding Guide

What is MMA Welding?

Manual Metal Arc (MMA) welding is an arc welding process in which an arc is formed between a flux-covered electrode and the base metal. The arc melts the electrode into the workpiece, forming the weld.

MMA is also referred to as Shielded Metal Arc Welding (SMAW), but it's most commonly known as 'stick' welding.



How MMA Welding Works

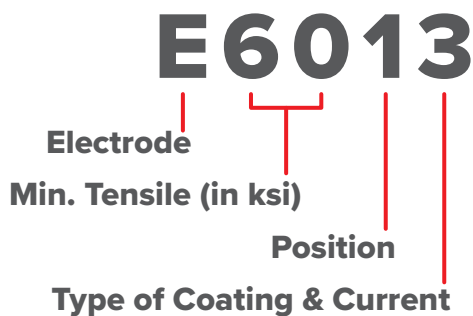
You can MMA weld two different ways: with alternating current (AC) or direct current (DC). Both need to be run on a constant-current power source to work. The electrode is tapped or struck against the base metal, which ignites the arc between the two. The electrodes used in MMA welding are consumable electrodes, as they melt into the base metal to form the weld.

An external gas isn't needed as the outer flux coating on each electrode works to shield the weld as it melts. The flux coating melts with the metal, releasing gases from within which bubble to the surface.

These internal gases protect the weld from outside contaminants until the puddle begins to cool. The flux coating, once melted, forms a layer of slag over the final weld, which needs to be chipped off to achieve a clean, finished weld.

Electrode Selection

There is a range of different electrodes available for MMA welding. Each is stamped with its own classification code, which details the properties of each electrode. For mild steel electrodes, there is an 'E' followed by a 4-digit code, for example, E6013.



You'll need to select an electrode with a similar composition to the base metal. Generally speaking, the most common electrodes used for mild steel are E6010, E6011, E6013, E7016, E7018 and E7024. Stainless steel electrodes are marked with their metal grade, e.g., 309L.

The size of the electrode generally depends on the thickness of the section being welded, and the thicker the section,

the larger the electrode required. The table gives the maximum size of electrodes that may be used for various thicknesses of section based on using a general-purpose type 6013 electrode.

Average Thickness of Material	Maximum Recommended Electrode Diameter
3-6mm	2.6mm
6-12mm	3.2mm
12-20mm	4.0mm
20mm+	5.0mm

The amperage you'll need is dependent on the electrode size and base metal thickness.

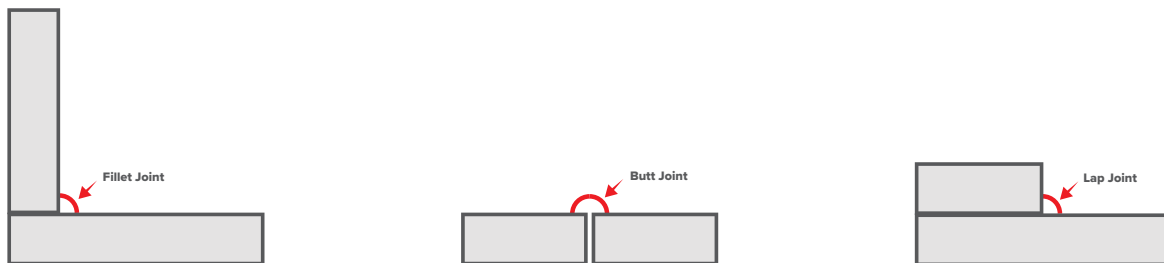
With the amperage set too low, it's difficult to strike and maintain a stable arc. The penetration is reduced and beads with a distinct rounded profile will be deposited. Too high an amperage is accompanied by overheating of the electrode, resulting in undercut, burning through of the base metal and producing excessive spatter.

Electrodes will usually come with a recommended amperage rating. The table shows current ranges generally recommended for a general-purpose type 6013 electrode.

Electrode Size	Current Range
3-6mm	60-100A
6-12mm	100-130A
12-20mm	130-165A
20mm+	165-260A

Work Angle

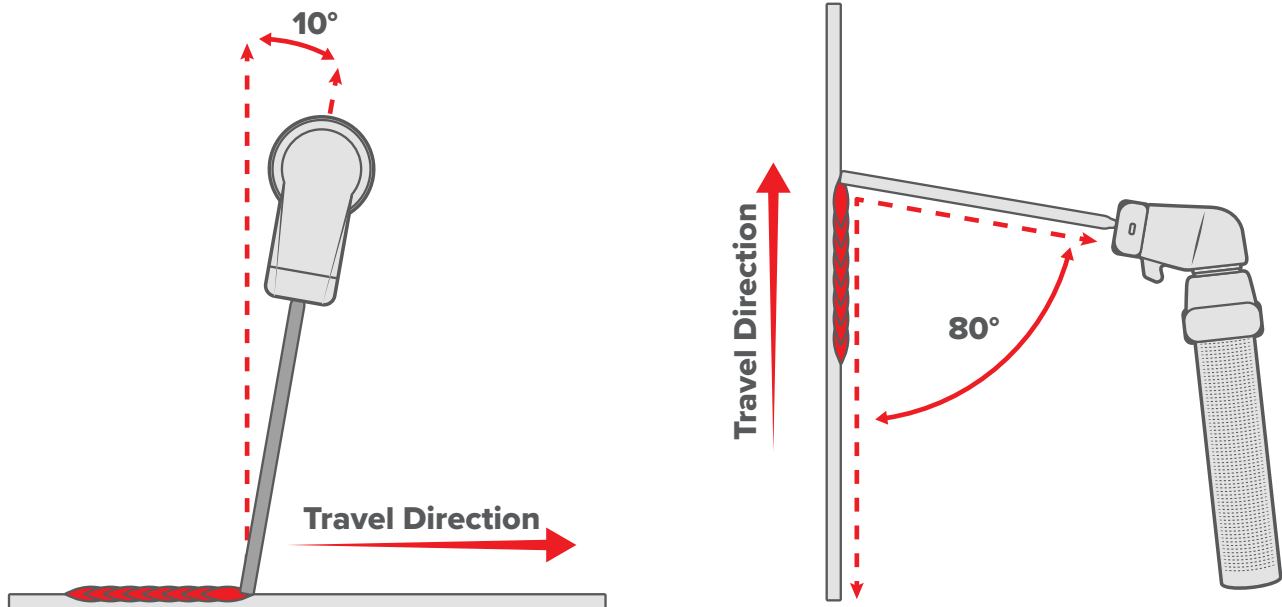
The work angle is the up and down of the electrode in relation to the angle of the joint. There are a few different joint types, and several positions these joints can be found.



Fillet Joint (T-Joint)	Butt Joint	Lap Joint
90° joint angle	180° joint angle	90° joint angle
45° work angle	90° work angle	60-70° work angle

Travel Direction & Angle

When MMA welding, you only want to drag (pull) your weld. If you use a push angle, you risk having slag trapped in the weld pool and contaminating the weld. To drag your weld, place your electrode into the joint then tilt it slightly sideways by 10° to 15° . Your torch should hover over where you're going to be welding, rather than hovering over where you've already welded. When welding vertical up, the electrode should sit in the joint at roughly an 80° angle.



Arc Length

To strike the arc, the electrode should be gently scraped on the work until the arc is established. When welding, keep the arc length short. A good rule of thumb is that your arc length shouldn't be longer than your electrode diameter.

An arc too long reduces penetration, produces spatter and gives a rough surface finish to the weld. An excessively short arc will cause sticking of the electrode and result in poor quality welds.

Travel Speed

The electrode should be moved along in the direction of the joint being welded at a speed that will give the size of run required. At the same time, the electrode is fed downwards to keep the correct arc length at all times.

Travelling too fast will lead to poor fusion and a lack of penetration, while travelling too slow will frequently lead to arc instability, slag inclusions and burnthrough.

14. Welding Settings Guides

14.1 TIG Mild Steel


Material Thickness (mm)	Butt Weld Amperage (A)	Lap Weld Amperage (A)	Fillet Weld Amperage (A)	1.6mm Filler / Tungsten	2.4mm Filler / Tungsten	3.2mm Filler / Tungsten	Post-Gas
0.8 mm	25-35 A	20-30 A	25-30 A	✓	✓		2s
1.0 mm	35-45 A	30-40 A	35-40 A	✓	✓		2s
1.2 mm	40-50 A	35-45 A	40-50 A	✓	✓		2s
1.6 mm	70-90 A	60-80 A	70-85 A	✓	✓	✓	3s
2.0 mm	90-110 A	80-100 A	90-105 A	✓	✓	✓	3s
2.5 mm	110-130 A	100-120 A	110-125 A	✓	✓	✓	3s
3.0 mm	130-150 A	120-140 A	130-145 A		✓	✓	4s
4.0 mm	160-180 A	150-170 A	160-175 A		✓	✓	4s
5.0 mm	190-210 A	180-200 A	190-205 A			✓	5s
6.0 mm	210-230 A	200-220 A	210-230 A			✓	6s

Material Thickness (mm)	Joint Type	Pass Type	Amperage (A)	Number of Passes	Tungsten Diameter
8mm	Butt Weld	Root Pass	275–330A	1	3.2mm
		Filler Pass	165–220A	1	3.2mm
	Fillet Weld	Filler Pass	220–275A	2	3.2mm
	Lap Weld	Filler Pass	200–255A	2	3.2mm
10mm	Butt Weld	Root Pass	310–365A	1	4.0mm
		Filler Pass	220–275A	1-2	4.0mm
	Fillet Weld	Filler Pass	275–330A	2	4.0mm
	Lap Weld	Filler Pass	240–300A	2	4.0mm
12mm	Butt Weld	Root Pass	330–440A	1	4.0mm
		Filler Pass	165–220A	1	4.0mm
	Fillet Weld	Filler Pass	330–440A	2	4.0mm
	Lap Weld	Filler Pass	310–400A	2	4.0mm

14.2 TIG Stainless Steel

Material Thickness (mm)	Butt Weld Amperage (A)	Lap Weld Amperage (A)	Fillet Weld Amperage (A)	1.6mm Filler / Tungsten	2.4mm Filler / Tungsten	3.2mm Filler / Tungsten	Post-Gas
0.8 mm	20-30 A	15-25 A	20-25 A	☑			2s
1.0 mm	30-40 A	25-35 A	30-35 A	☑	☑		2s
1.2 mm	35-45 A	30-40 A	35-45 A	☑	☑		2s
1.6 mm	60-80 A	50-70 A	60-75 A	☑	☑	☑	3s
2.0 mm	80-100 A	70-90 A	80-95 A	☑	☑	☑	3s
2.5 mm	100-120 A	90-110 A	100-115 A	☑	☑	☑	3s
3.0 mm	120-140 A	110-130 A	120-135 A		☑	☑	4s
4.0 mm	140-160 A	130-150 A	140-155 A		☑	☑	4s
5.0 mm	160-180 A	150-170 A	160-175 A		☑	☑	5s
6.0 mm	190-210 A	180-200 A	190-210 A			☑	6s

Material Thickness (mm)	Joint Type	Pass Type	Amperage (A)	Number of Passes	Tungsten Diameter
8mm	Butt Weld	Root Pass	250-300A	1	3.2mm
		Filler Pass	150-200A	1	3.2mm
	Fillet Weld Lap Weld	Filler Pass	200-250A	2	3.2mm
		Filler Pass	180-230A	2	3.2mm
10mm	Butt Weld	Root Pass	280-330A	1	4.0mm
		Filler Pass	200-250A	1	3.2mm
	Fillet Weld Lap Weld	Filler Pass	250-300A	2	4.0mm
		Filler Pass	220-270A	2	4.0mm
12mm	Butt Weld	Root Pass	300-400A	1	4.0mm
		Filler Pass	150-200A	1	3.2mm
	Fillet Weld Lap Weld	Filler Pass	300-400A	2	4.0mm
		Filler Pass	280-360A	2	4.0mm

 This setup information is intended to act as a guide only. Individual results may vary depending on technique, skill and material.

15. Gas Selection

15.1 MIG

Gas	Material Thickness (mm)													Thickness Range per MIG Wire (mm)						
	1	2	3	4	5	6	7	8	9	10	11	12	13+	0.6	0.8	0.9	1.0	1.2	1.6	
Mild Steel																				
Ar + 5%-10% CO2	■	■	■	■	■	■	■	■	■						Up to 4mm	Up to 6mm	Up to 8mm			
Ar + 15-25% CO2		■	■	■	■	■	■	■	■	■	■	■	■		2-4mm	2-8mm	2-12mm		4-13+	
Ar + 25%-30% He + CO2										■	■	■	■				10mm+		10mm+	
CO2 100%				■	■	■	■	■	■	■	■	■	■			4-8mm	4-12mm		4-13+	
Stainless Steel																				
Ar + 2-5% CO2	■	■	■	■	■	■	■	■	■							up to 6	upto 8			
Ar + 20-40% He			■	■	■	■	■	■	■	■	■	■	■			3-8mm	3mm+			
Aluminium																				
Ar 100%	■	■	■	■	■	■	■	■	■	■	■	■	■					1-6mm	2-10mm	6mm+
Ar + 10-30% He		■	■	■	■	■	■	■	■	■	■	■	■					1-6mm	2-10mm	6mm+
Ar + 50-75% He																			6-10mm	6mm+
FCAW																				
Ar + 15-25% CO2		■	■	■	■	■	■	■	■	■	■	■	■						2mm+	3mm+
CO2 100%				■	■	■	■	■	■	■	■	■	■						3mm+	4mm+

15.2 TIG

Gas	Material Thickness (mm)															Thickness Range per Rod Diameter (mm)			
	1	2	3	4	5	6	7	8	9	10	11	12	13	14	15+	1.6	2.4	3.2	4.0
Ar 100%	■	■	■	■	■	■	■	■	■	■	■	■	■			Up to 5mm	2-12mm	4-12mm	5-12mm
Ar + 10-30% He		■	■	■	■	■	■	■	■	■	■	■	■	■		2-6mm	3-13mm	5-14mm	6mm+
Ar + 50-75% He			■	■	■	■	■	■	■	■	■	■	■	■		3-7mm	4-14mm	5-15mm	7mm+

i This setup information is intended to act as a guide only. Individual results may vary depending on technique, skill and material.

16. Welding Processes & Features Glossary

A

Arc Force - The level of current boost when the machine senses voltage drops, improving arc stability and preventing electrode sticking. A higher value gives a more forceful arc, especially useful in vertical or overhead positions.

B

Background Current - The lower current level in the pulse cycle.

Burnback - Burnback determines how long the wire will stay charged after feeding stops. It ensures the wire end is clean for the next start and reduces the risk of wire sticking to the workpiece.

D

Downslope - The time the welding current takes to decrease from the main welding current to the End Amp.

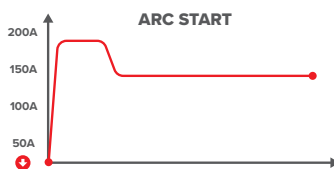
F

Finish Current - The final welding current value before the arc stops. A higher finish current keeps more heat and ensures a smooth finish, while a lower finish current reduces heat, minimising the chance of the weld warping or distorting.

H

HF TIG - High-frequency TIG is a non-contact method for arc initiation. Ensures a cleaner start by preventing tungsten contamination and reducing the risk of weld defects.

Hot Start Current - Hot Start boosts the initial welding current for a short duration to ensure a reliable arc start.



I

Inductance - The inductance controls the arc's smoothness and spatter. A higher inductance gives a softer arc with less spatter. A lower inductance makes the arc more focused and offers better penetration.

Initial Current - The amperage at the beginning of the welding process. A higher start amp provides a strong arc start, suitable for thicker materials, while a lower setting offers a gentler start for thin or sensitive materials.

L

Lift TIG - Lift Arc TIG is an arc ignition mode that initiates the arc by making brief contact between the tungsten and the workpiece. Once lifted, the arc continues without touching.

M

Minimum Remote Current - Sets the minimum amperage available on the machine when in a Remote Mode.

Min Amp - Sets the minimum amperage available on the machine when in a Remote Mode.

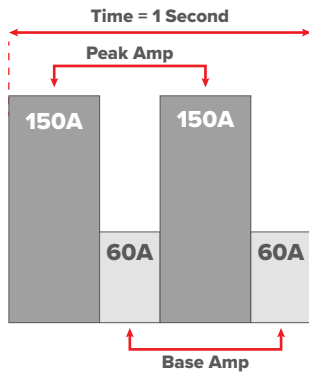
P

Peak Amp - The maximum current level during the weld. This also sets the peak in pulse cycle.

Pre-flow Time - The duration of shielding gas released before the arc ignites. This ensures a protective environment, minimising contamination and improving weld quality.

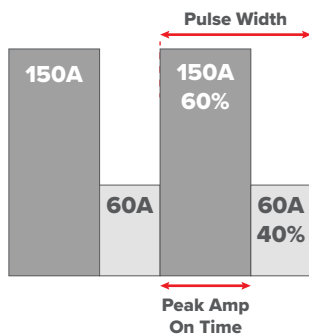
Post-flow Time - The duration of shielding gas released after the welding arc stops. This provides continued protection to the welded area, preventing oxidation and ensuring a cleaner weld finish.

Pulse - Alternates the welding current between a high and low value to aid in heat control and improve weld quality.



Pulse Duty Ratio - The time the arc stays at its peak amperage during the pulse cycle. Wider widths mean more penetration, while narrower widths offer more heat control.

Pulse Frequency - The number of pulse cycles every second. Higher frequencies result in a more focused arc, while lower frequencies create a wider arc with more spread-out heat.



R

Remote Mode - Turn the remote control off or on for torch controls, wireless and wired foot pedals.

S

Smart-Set MIG - The Smart-Set MIG mode is a set of synergic programs that guide the user through the selection of required parameters in an easily understandable way for the optimal settings on every job.

Smart-Set TIG - The Smart-Set TIG mode is a set of synergic programs that guide the user through the selection of required parameters in an easily understandable way for the optimal settings on every job.

Spot Mode - Spot Mode provides precision in creating timed weld spots with controlled intervals and counts. It's ideal for consistent tacking or producing uniform joins across materials.

Spot Weld Time - The duration for each spot weld.

T

Trigger Mode 2T - Initiates welding when the torch trigger is pressed and stops when released.

Trigger Mode 4T - Press the torch trigger once to start welding and release it. Press again to stop the weld. This mode is useful for longer welds and reducing hand fatigue.

Tungsten Diameter - Specify the diameter of your tungsten electrode.

U

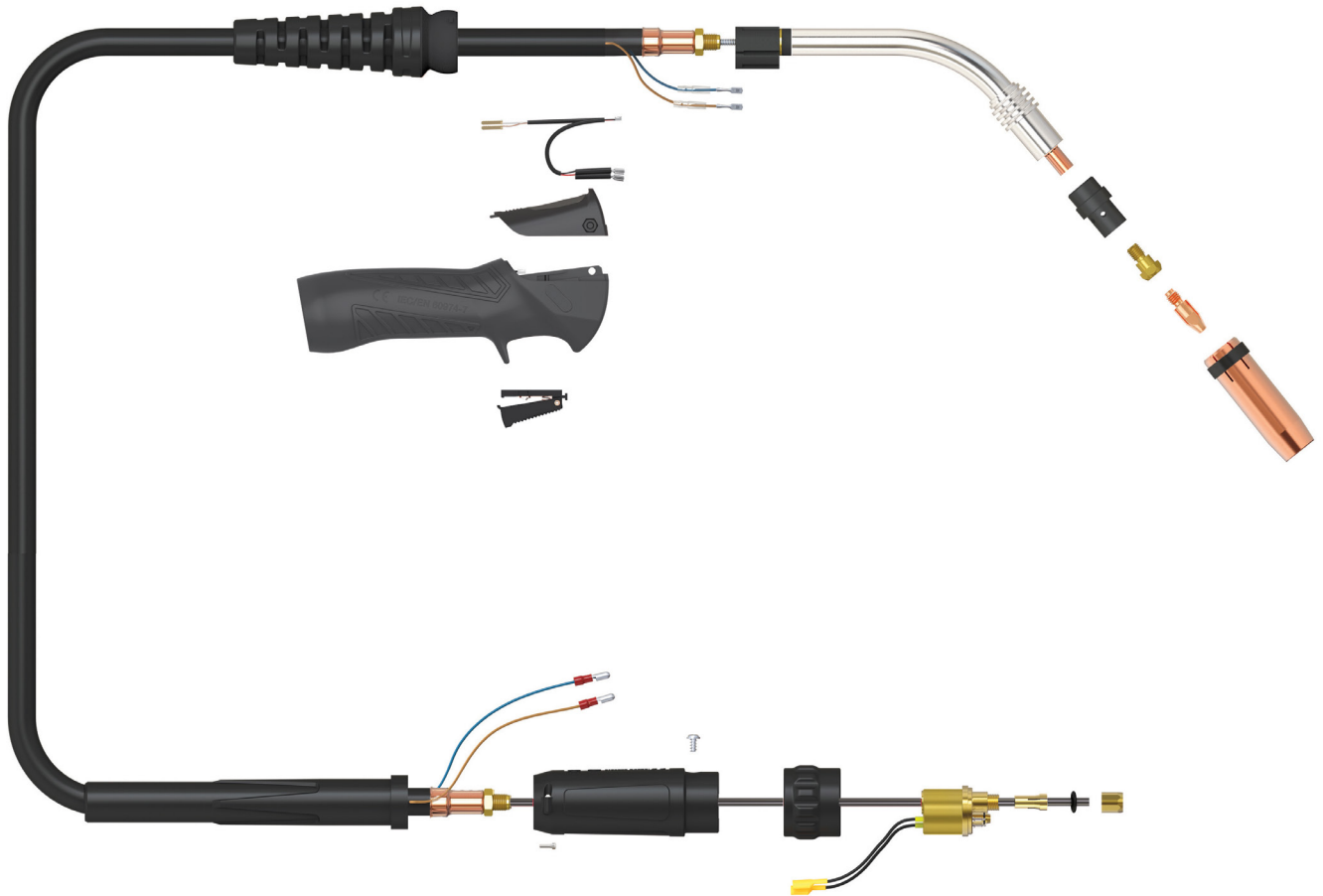
Upslope Time - The time the welding current takes to rise from the start amp to the main welding current. Longer up slope times ensure smoother transitions, reducing sudden heat input.

V

VRD - A Voltage Reduction Device is a safety device that reduces the open-circuit voltage of a welding machine. This minimises the risk of electric shock, especially in hazardous areas like enclosed or moist environments.

17. MIG Torch & Consumables

17.1 M26 Binzel Style MIG Torch



Length	3m	
SKU	U11544	
1	UG1515	ERGO HANDLE LOCATION BODY
2	UG8015	HANDLE CABLE SUPPORT C/W BALL JOINT
3	UB1518	GUN PLUG HOUSING C/W NUT
4	UC1528	HYBRID GUN PLUG BODY C/W SPRING PINS
5	UB1524	GUN PLUG 'O' RING
6	UB1525	LINER NUT
7	U11257	MIG TORCH MODULE BLANK SUIT M26
	COOLING METHOD	Air-Cooled
	DUTY CYCLE - CO2	60% @ 270A
	DUTY CYCLE - MIXED GAS	60% @ 240A
	WIRE SIZE	0.8-1.2mm
	STANDARD	EN60974-7

17.2 M26 Binzel Style MIG Torch Consumables



Gas Diffuser

PCGD26	GAS DIFFUSER SUIT SB38 QTY 2
---------------	------------------------------

Tip Holder

PCTH26M8S	TIP HOLDER SUIT DM26 QTY 2
------------------	----------------------------

Contact Tip

PCTAL0005-08	CONTACT TIPS ALUMINIUM BINZEL STYLE M8 0.8MM QTY 10
PCTAL0005-09	CONTACT TIPS ALUMINIUM BINZEL STYLE M8 0.9MM QTY 10
PCTAL0005-10	CONTACT TIPS ALUMINIUM BINZEL STYLE M8 1.0MM QTY 10
PCTAL0005-12	CONTACT TIPS ALUMINIUM BINZEL STYLE M8 1.2MM QTY 10
PCTAL0005-16	CONTACT TIPS ALUMINIUM BINZEL STYLE M8 1.6MM QTY 10
PCT0005-08	CONTACT TIPS BINZEL STYLE M8 0.8MM QTY 10
PCT0005-09	CONTACT TIPS BINZEL STYLE M8 0.9MM QTY 10
PCT0005-10	CONTACT TIPS BINZEL STYLE M8 1.0MM QTY 10
PCT0005-12	CONTACT TIPS BINZEL STYLE M8 1.2MM QTY 10

Gas Nozzle

PGN38CYL	GAS NOZZLE CYLINDRICAL SUIT SB38 QTY 2
PGN38CON	GAS NOZZLE CONICAL SUIT SB38 QTY 2

Liners

SLB3M	BLUE STEEL LINER 3 METRE
SLB4M	BLUE STEEL LINER 4 METRE
SLB5M	BLUE STEEL LINER 5 METRE
SLR3M	RED STEEL LINER 3 METRE
SLR4M	RED STEEL LINER 4 METRE
SLR5M	RED STEEL LINER 5 METRE
SLY3M	YELLOW STEEL LINER 3 METRE
SLY4M	YELLOW STEEL LINER 4 METRE
SLY5M	YELLOW STEEL LINER 5 METRE
TLB3M	BLUE ALUMINIUM LINER 3 METRE
TLB4M	BLUE ALUMINIUM LINER 4 METRE
TLR3M	RED ALUMINIUM LINER 3 METRE
TLR4M	RED ALUMINIUM LINER 4 METRE
TLY3M	YELLOW ALUMINIUM LINER 3 METRE
TLY4M	YELLOW ALUMINIUM LINER 4 METRE
NKSTL-3.5MM	NECK SPRING FOR ALUMINIUM

18. Recommended Accessories



M26 Consumables Starter Kit
UMSK26



T2 TIG Torch
UMT2F4M (4m)
UMT2F8M (8m)



T2 Consumable Starter Kit
U42005



Small Welding Trolley
UMJRTROLLEY2

Drive Rollers



0.8-0.9F30/22	DRIVE ROLLER 30/22 F KNURLED 0.8/0.9MM
0.8-1.0U30/22	DRIVE ROLLER 30/22 U ALUMINIUM 0.8/1.0MM
0.9-1.0U30/22	DRIVE ROLLER 30/22 U ALUMINIUM 0.9/1.0MM
0.6-0.8V30/22	DRIVE ROLLER 30/22 V STEEL 0.6/0.8MM
0.8-0.9V30/22	DRIVE ROLLER 30/22 V STEEL 0.8/0.9MM
0.8-1.0V30/22	DRIVE ROLLER 30/22 V STEEL 0.8/1.0MM
0.9-1.0V30/22	DRIVE ROLLER 30/22 V STEEL 0.9/1.0MM

TIG Tungsten Electrodes



PTR0003-10	CERIATED TUNGSTEN GREY 1.0MM QTY 10
PTR0003-16	CERIATED TUNGSTEN GREY 1.6MM QTY 10
PTR0003-24	CERIATED TUNGSTEN GREY 2.4MM QTY 10
PTR0003-32	CERIATED TUNGSTEN GREY 3.2MM QTY 10
PTR0002-16	LANTHANATED TUNGSTEN GOLD 1.6MM QTY 10
PTR0002-24	LANTHANATED TUNGSTEN GOLD 2.4MM QTY 10
PTR0002-32	LANTHANATED TUNGSTEN GOLD 3.2MM QTY 10
PTR0005-16	RARE EARTH TUNGSTEN PURPLE 1.6MM QTY 10
PTR0005-24	RARE EARTH TUNGSTEN PURPLE 2.4MM QTY 10
PTR0005-32	RARE EARTH TUNGSTEN PURPLE 3.2MM QTY 10
PTR0004-10	THORIATED TUNGSTEN RED 1.0MM QTY 10
PTR0004-16	THORIATED TUNGSTEN RED 1.6MM QTY 10
PTR0004-24	THORIATED TUNGSTEN RED 2.4MM QTY 10
PTR0004-32	THORIATED TUNGSTEN RED 3.2MM QTY 10

MIG Wire



AM4043-0.9MM-0.5KG	4043 ALUMINIUM MIG WIRE 0.9MM 0.5KG
AM5356-0.8MM-0.50KG	5356 ALUMINIUM MIG WIRE 0.8MM 0.5KG
AM5356-0.9MM-0.50KG	5356 ALUMINIUM MIG WIRE 0.9MM 0.5KG
AM5356-1.0MM-0.50KG	5356 ALUMINIUM MIG WIRE 1.0MM 0.5KG
AM5356-1.0-2.0KG	5356 ALUMINIUM MIG WIRE 1.0MM 2KG
XA-E71TGS-08-09	E71T-GS GASLESS WIRE 0.8MM 1KG
XA-E71TGS-09-09	E71T-GS GASLESS WIRE 0.9MM 1KG
U61001	HYPERCORE T-11 FLUX-CORED SELF-SHIELDED WIRE 0.8MM 4.54KG
U61002	HYPERCORE T-11 FLUX-CORED SELF-SHIELDED WIRE 0.9MM 4.54KG
MS.6A	ER70S-6 MILD STEEL WIRE 0.6MM 1KG
MS.6B	ER70S-6 MILD STEEL WIRE 0.6MM 5KG
MS.8A	ER70S-6 MILD STEEL WIRE 0.8MM 1KG
MS.8B	ER70S-6 MILD STEEL WIRE 0.8MM 5KG
MS.9A	ER70S-6 MILD STEEL WIRE 0.9MM 1KG
MS.9B	ER70S-6 MILD STEEL WIRE 0.9MM 5KG
SS316LSI-0.8-1	316L STAINLESS STEEL WIRE 0.8MM 1KG
SS316LSI-0.8-5	316L STAINLESS STEEL WIRE 0.8MM 5KG
SS316LSI-0.9-1	316L STAINLESS STEEL WIRE 0.9MM 1KG
SS316LSI-0.9-5	316L STAINLESS STEEL WIRE 0.9MM 5KG

TIG Welding Rods



TG102ER70S-2-1.6	ER70S-2-TIG FILLER ROD 1.6MM 5KG TRIPLE DEOXIDISED
TG102ER70S-2-2.4	ER70S-2-TIG FILLER ROD 2.4MM 5KG TRIPLE DEOXIDISED
TG4ER70S-4-1.6	ER70S-4-TIG FILLER ROD 1.6MM 5KG DOUBLE DEOXIDISED
TG4ER70S-4-2.4	ER70S-4-TIG FILLER ROD 2.4MM 5KG DOUBLE DEOXIDISED
TG2ER70S-6-1.6	ER70S-6-TIG FILLER ROD 1.6MM 5KG
TG2ER70S-6-2.4	ER70S-6-TIG FILLER ROD 2.4MM 5KG
TI308L-1.6	308L TIG FILLER ROD 1.6MM 5KG
TI308L-2.4	308L TIG FILLER ROD 2.4MM 5KG
TI309L-1.6	309L TIG FILLER ROD 1.6MM 5KG
TI309L-2.4	309L TIG FILLER ROD 2.4MM 5KG
TI316L-1.2	316L TIG FILLER ROD 1.2MM 5KG
TI316L-1.6-1	316L TIG FILLER ROD 1.6MM 1KG
TI316L-1.6	316L TIG FILLER ROD 1.6MM 5KG
TI316L-2.4-1	316L TIG FILLER ROD 2.4MM 1KG
TI316L-2.4	316L TIG FILLER ROD 2.4MM 5KG
TI316L-3.2	316L TIG FILLER ROD 3.2MM 5KG

MMA Welding Electrodes



U63028	HYPERARC NI 55 CAST IRON ELECTRODES 2.6MM 1KG
U63029	HYPERARC NI 55 CAST IRON ELECTRODES 3.2MM 1KG
U63026	HYPERARC NI 98 CAST IRON ELECTRODES 2.6MM 1KG
U63027	HYPERARC NI 98 CAST IRON ELECTRODES 3.2MM 1KG
U63025	HYPERARC 531 HARDFACING ELECTRODES 3.2MM 1KG
U63014	HYPERARC 309L STAINLESS STEEL ELECTRODES 2.6MM 2KG
U63015	HYPERARC 309L STAINLESS STEEL ELECTRODES 3.2MM 2KG
U63017	HYPERARC 312L STAINLESS STEEL ELECTRODES 2.6MM 1KG
U63019	HYPERARC 312L STAINLESS STEEL ELECTRODES 2.6MM 2KG
U63018	HYPERARC 312L STAINLESS STEEL ELECTRODES 3.2MM 1KG
U63020	HYPERARC 312L STAINLESS STEEL ELECTRODES 3.2MM 2KG
U63021	HYPERARC 316L STAINLESS STEEL ELECTRODES 2.6MM 1KG
U63023	HYPERARC 316L STAINLESS STEEL ELECTRODES 2.6MM 2KG
U63022	HYPERARC 316L STAINLESS STEEL ELECTRODES 3.2MM 1KG
U63024	HYPERARC 316L STAINLESS STEEL ELECTRODES 3.2MM 2KG
U63006	HYPERARC 16 TWIN COAT LOW-HYDROGEN ELECTRODES 2.6MM 1KG
U63008	HYPERARC 16 TWIN COAT LOW-HYDROGEN ELECTRODES 2.6MM 2KG
U63007	HYPERARC 16 TWIN COAT LOW-HYDROGEN ELECTRODES 3.2MM 1KG
U63009	HYPERARC 16 TWIN COAT LOW-HYDROGEN ELECTRODES 3.2MM 2KG
U63010	HYPERARC 16 TWIN COAT LOW-HYDROGEN ELECTRODES 4.0MM 2KG
U63002	HYPERARC 6013 GENERAL PURPOSE ELECTRODES 3.2MM 1KG
U63030	HYPERARC 6013 GENERAL PURPOSE ELECTRODES 2.0MM 1KG
U63031	HYPERARC 6013 GENERAL PURPOSE ELECTRODES 2.0MM 2.5KG
U63001	HYPERARC 6013 GENERAL PURPOSE ELECTRODES 2.6MM 1KG
U63032	HYPERARC 6013 GENERAL PURPOSE ELECTRODES 2.6MM 2.5KG
U63003	HYPERARC 6013 GENERAL PURPOSE ELECTRODES 2.6MM 5KG
U63033	HYPERARC 6013 GENERAL PURPOSE ELECTRODES 3.2MM 2.5KG
U63004	HYPERARC 6013 GENERAL PURPOSE ELECTRODES 3.2MM 5KG
U63005	HYPERARC 6013 GENERAL PURPOSE ELECTRODES 4.0MM 5KG
U63011	HYPERARC 7018 LOW-HYDROGEN ELECTRODES 2.6MM 2KG
U63012	HYPERARC 7018 LOW-HYDROGEN ELECTRODES 3.2MM 2KG
U63013	HYPERARC 7018 LOW-HYDROGEN ELECTRODES 4.0MM 2KG

UNIMIG

B U I L T F O R W E L D E R S



100%
AUSTRALIAN
OWNED

unimig.com.au

    @UNIMIG