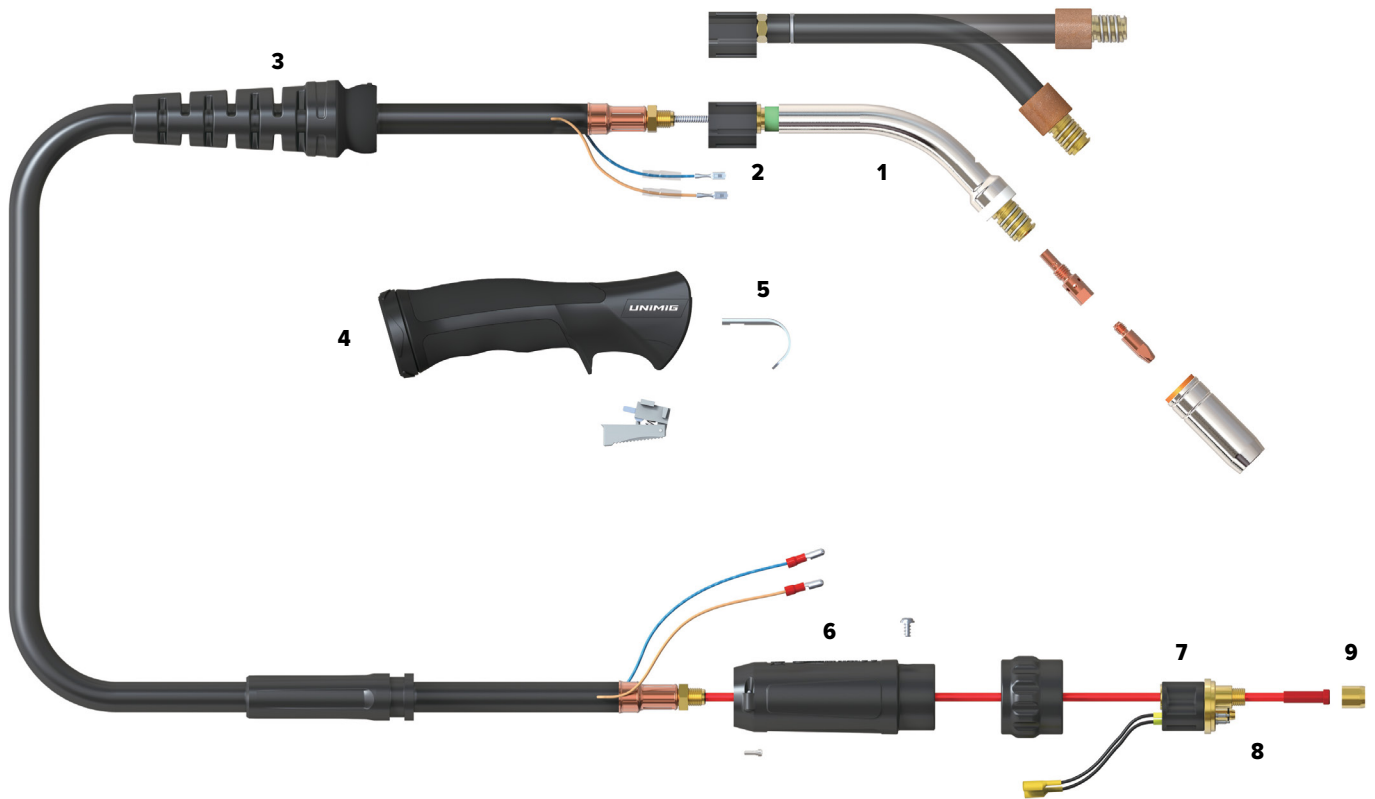


SB25 BINZEL Style MIG Torch



Length	3m	4m	5m
SKU	SB253M	SB254M	SB255M

1	SNK25	SWAN NECK SUIT SB25
2	UG1515	ERGO HANDLE LOCATION BODY
3	UG8015	HANDLE CABLE SUPPORT C/W BALL JOINT
4	UG2514	ERGO HANDLE KIT C/W LOCK NUT
5	UB2517	HANGER HOOK
6	UB1518	GUN PLUG HOUSING C/W NUT
7	UC1528	HYBRID GUN PLUG BODY C/W SPRING PINS
8	UB1524	GUN PLUG 'O' RING
9	UB1525	LINER NUT

COOLING METHOD	Air-Cooled
DUTY CYCLE - CO2	60% @ 230A
DUTY CYCLE - MIXED GAS	60% @ 200A
WIRE SIZE	0.6-1.2mm
STANDARD	EN60974-7

SB25 BINZEL Style MIG Torch Consumables



Nozzle Spring

PGNS25	NOZZLE SPRING SUIT SB25 QTY2
---------------	------------------------------

Tip Holder

PCTH25	TIP HOLDER SUIT SB25 QTY 2
---------------	----------------------------

Contact Tip

PCTAL0009-09	CONTACT TIPS ALUMINIUM BINZEL STYLE M6 0.9MM QTY 10
PCTAL0009-10	CONTACT TIPS ALUMINIUM BINZEL STYLE M6 1.0MM QTY 10
PCTAL0009-12	CONTACT TIPS ALUMINIUM BINZEL STYLE M6 1.2MM QTY 10
PCT0009-06	CONTACT TIPS BINZEL STYLE M6 0.6MM QTY 10
PCT0009-08	CONTACT TIPS BINZEL STYLE M6 0.8MM QTY 10
PCT0009-09	CONTACT TIPS BINZEL STYLE M6 0.9MM QTY 10
PCT0009-10	CONTACT TIPS BINZEL STYLE M6 1.0MM QTY 10
PCT0009-12	CONTACT TIPS BINZEL STYLE M6 1.2MM QTY 10

Gas Nozzle

PGN25CON	GAS NOZZLE CONICAL SUIT SB25 QTY 2
PGN25CYL	GAS NOZZLE CYLINDRICAL SUIT SB25 QTY 2
PGN25SPOT	GAS NOZZLE SPOT SUIT SB25 QTY 2

Liners



TLB3M	LINER BINZEL STYLE ALUMINIUM BLUE 0.6-0.8MM 3M
TLB4M	LINER BINZEL STYLE ALUMINIUM BLUE 0.6-0.8MM 4M
TLR3M	LINER BINZEL STYLE ALUMINIUM RED 0.9-1.2MM 3M
TLR4M	LINER BINZEL STYLE ALUMINIUM RED 0.9-1.2MM 4M
SLB3M	LINER BINZEL STYLE STEEL BLUE 0.6-0.8MM 3M
SLB4M	LINER BINZEL STYLE STEEL BLUE 0.6-0.8MM 4M
SLB5M	LINER BINZEL STYLE STEEL BLUE 0.6-0.8MM 5M
SLR3M	LINER BINZEL STYLE STEEL RED 0.9-1.2MM 3M
SLR4M	LINER BINZEL STYLE STEEL RED 0.9-1.2MM 4M
SLR5M	LINER BINZEL STYLE STEEL RED 0.9-1.2MM 5M
NKSTL-3.5MM	NECK SPRING FOR ALUMINIUM