

# ***UNIMIG***



## ***ORIGIN SERIES WELDING HELMET***

Operating Manual



**Origin Series  
Welding Helmet - Black**

U21033

## Contents

<b>1. Safety</b> .....	<b>3</b>
<b>2. Features</b> .....	<b>4</b>
<b>3. Specifications</b> .....	<b>5</b>
<b>4. Parts Breakdown</b> .....	<b>6</b>
<b>5. Operating Instructions</b> .....	<b>7</b>
<b>6. Harness Operating Instructions</b> .....	<b>12</b>
<b>7. Troubleshooting</b> .....	<b>14</b>
<b>8. Warranty</b> .....	<b>14</b>
<b>9. Shade Guide</b> .....	<b>15</b>

# 1. Safety

## **Please read and understand all instructions before using.**

- Be sure that the dark shade of the lens in the welding helmet is on the correct shade number for your application.
- The helmet and lenses are not suitable for “overhead” welding application, laser welding, or laser cutting applications.
- Welding helmets are designed to protect the eyes and face from sparks, spatter, and harmful radiation under normal welding conditions.
- This helmet will not protect against explosive devices or corrosive liquids. Machine guards or eye splash protection must be used when these hazards are present.
- Impact resistant, primary eye protection, spectacles or goggles that meet current ANSI specifications, must be worn at all times when using this welding helmet.
- Avoid work positions that could expose unprotected areas of the body to sparks, spatter, direct and/or reflected radiation. Use appropriate protection if exposure cannot be avoided.
- Before each use, check that the protection plates are clean and that no dirt is covering the sensors on the front of the lens.
- Inspect all operating parts before each use for signs of wear or damage. Any scratched, cracked, or pitted parts should be replaced immediately.
- Do not make any modifications to either the welding lens or helmet, other than those specified in this manual. Do not use any replacement parts other than those specified in this manual. Unauthorised modifications and replacement parts will void the warranty and expose the user to the risk of personal injury.
- If this lens does not darken when striking arc, stop welding immediately and check the helmet is in Weld Mode and not Grind Mode. If the issue persists, contact your local UNIMIG Service Department.
- Do not immerse this lens in water.
- Do not use any solvents on any lens or helmet components.
- The recommended operating temperature range for this welding lens is -5°C to 55°C. Do not use this device beyond these temperature limits.
- Failure to follow these warnings and/or failure to follow all of the operating instructions could result in severe personal injury.



**WARNING:** Contains button battery, hazardous if swallowed. Keep out of reach from children. Battery can cause severe or fatal injuries in 2 hours or less if it is swallowed or placed inside any part of the body. Medical attention should be sought immediately if it is suspected the battery has been swallowed or placed inside any part of the body.

## **2. Features**

### **92x41mm View Size**

Get clear visibility in every situation. The 92x41mm viewing area lets you see every weld with complete clarity.

### **External Grind**

Seamlessly switch to grind mode with the twist of a knob. No need to take the helmet off and on.

### **9-13 Shade Control**

Keep your eyes protected no matter the weld type. With a 9 to 13 shade range, you'll be covered while MIG, TIG or STICK welding, even when running as high as 500A.

### **2 Arc Sensors**

Detect every arc instantly. The two optimally positioned arc sensors trigger the lens, darkening it and keeping your eyes shielded from the start.

### **EliteVision Lens Technology**

See your weld clearly in true colour. EliteVision technology allows more colours from the spectrum to pass through the view, giving you better optical clarity and reducing eye fatigue.

## 3. Specifications

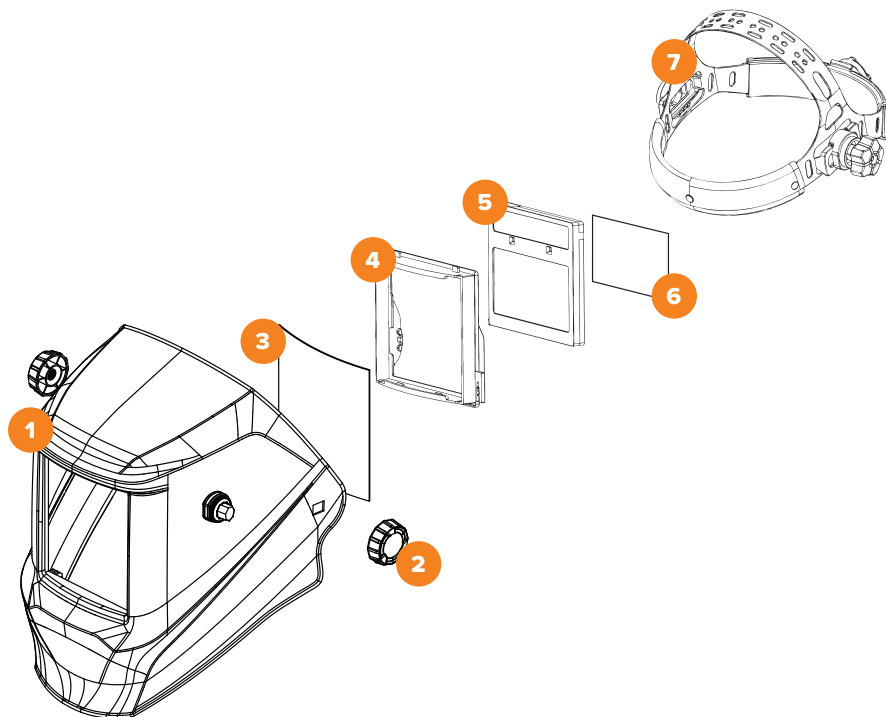
### 3.1 Technical Data

Parameter	Values
Filter Dimensions	110x90x9mm
View Size	92x41mm
Arc Sensors	2
Classification	1/1/1/2
Light State	4
Dark State	9-13
UV/IR Protection	DIN15
Time from Light to Dark	0.3ms
Time from Dark to Light	0.1-0.8s
Sensitivity Delay	Adjustable
Power Supply	Solar Cells
Warranty	2 Years
Operating Temperature	-5°C to 65°C
Storage Temperature	-20°C to 85°C
Shade Control	Yes
Grind Mode	Yes (External)
Minimum TIG Amperage	15A
Standards	AS/NZS 1337.1 B (High Impact) AS/NZS 1338.1 (Auto-Darkening)

### 3.2 Replaceable Parts

Part	SKU
Origin Series Welding Helmet Lens Kit	U21040
Magnification Lens	U21010 - 1.5x Magnification Lens U21011 - 2.0x Magnification Lens U21012 - 2.5x Magnification Lens

## 4. Parts Breakdown

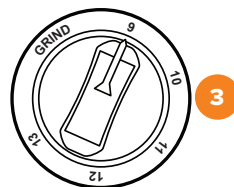


1. Helmet Shell
2. Adjustment Knob
3. Outer Lens Cover (U21040)
4. ADF Frame
5. Auto-Darkening Filter (ADF)
6. Inner Lens Cover (U21040)
7. 3 Point Harness

## 5. Operating Instructions



1. Sensitivity Dial (Low to High)
2. Delay Dial (Short to Long)
3. Shade/Grind Selector Knob



### Manual Shade Control

Choose your preferred shade by twisting the **Shade Selector Knob (5)** to the matching shade number (9-13).

#### Note:

Choose an optimum shade number for the required welding process or application.

If this lens does not darken when striking an arc, stop welding immediately and check the helmet is in Weld Mode and not Grind Mode. If the issue persists, contact your local UNIMIG Service Department.

## Sensitivity Control

The responsiveness to different light levels in various welding processes can be adjusted in the range from low to high.

Set the **Sensitivity Dial (1)** to your preferred level. Turn the dial **counter-clockwise** ↺ to decrease sensitivity, and rotate it **clockwise** ↻ to increase sensitivity.

### Low Sensitivity

- Suitable for high amperage welding and welding in bright light conditions (lamp light or sunlight).

### High Sensitivity

- Suitable for low amperage welding and use in poor light conditions.
- Suitable for use with steady arc process such as TIG welding.
- Under normal use, a higher sensitivity setting is recommended.

## Delay Control

The length of time delay for the ADF to return to the light state after welding can be adjusted in the range from fast to slow (0.1-0.8s). The time delay is for the protection of the welder's eyes from strong residual rays after welding.

Set the **Delay Dial (2)** to your preferred level. Turn the dial **counter-clockwise** ↺ to decrease delay time, and rotate it **clockwise** ↻ to increase delay time.

### Short Delay

- The time the ADF takes to lighten after welding becomes shorter. The shortest time is about 0.1s depending on the welding point temperature and shade setting. This setting is ideal for tack welding or production welding with short welds.

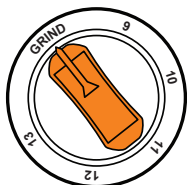
### Long Delay

- The time the ADF takes to lighten after welding becomes longer. The longest time is about 0.8s depending on the welding point temperature and shade setting. This setting is ideal for welding at high amperage where there is an afterglow from the weld.

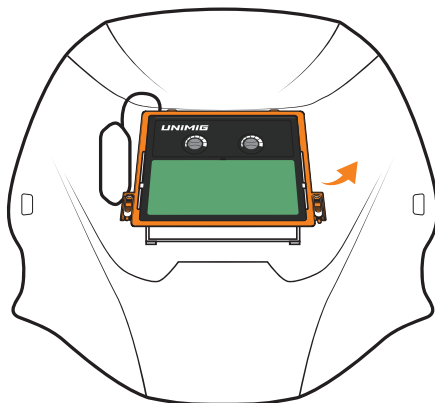
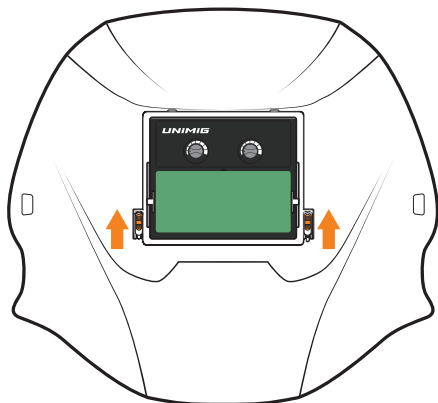
## Grind Mode

Turn the **Shade/Grind Selector Knob(3)** to "GRIND" to initiate grind mode.

**Note: Do not weld in the grind mode, the ADF will not darken.**

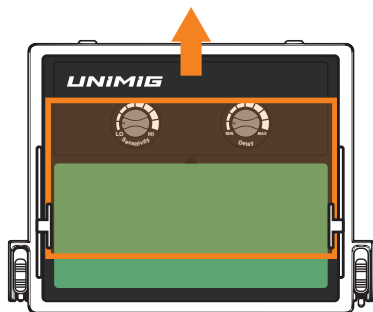


## Removing The ADF From The Helmet Shell



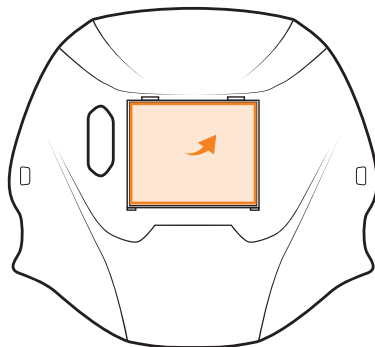
1. Switch both ADF frame locks to the up position to unlock it from the helmet shell.
2. Lift the bottom of the ADF up then slide the unit down to remove it from the helmet shell.

## Changing The Inner Lens Cover



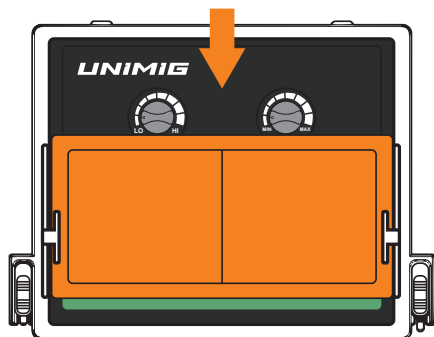
Pry the inner lens cover up from the finger groove at the top of the ADF. The inner lens cover can then slide up and out of the ADF. Replace with new inner lens cover.

## Changing The Outer Lens Cover



With the ADF frame removed, simply lift out the existing outer lens cover. Replace with new outer lens cover.

## Installing A Magnification Lens

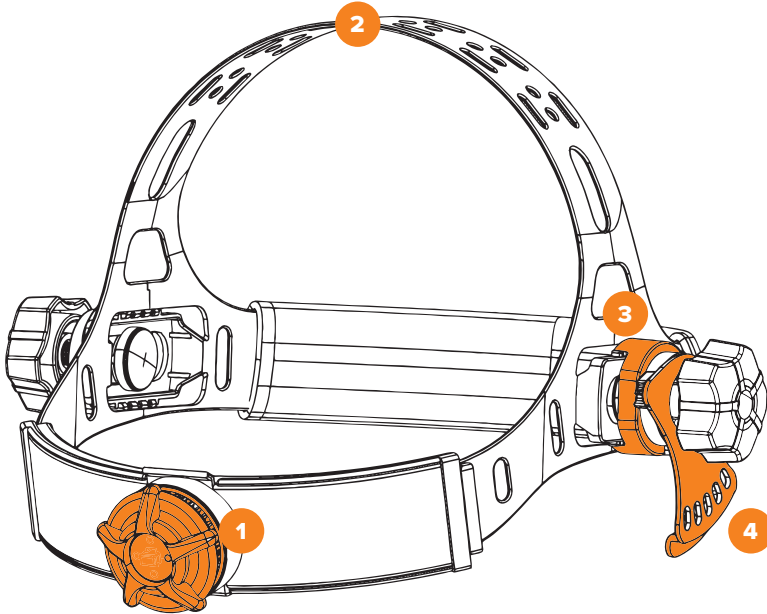


Slide the magnification lens down through the magnification lens holder.

## **Additional Instructions**


- Be sure that the helmet is used in the correct condition and according to the safety requirements.
- There is a liquid crystal-valve in the filter, although it has inner and outer protection covers, it is important to avoid heavy knocks to the helmet.
- The outer protective shell of the helmet should be periodically inspected and cleaned. In the case of a break, crack, pitting or other damage, the helmet shell must be replaced.
- To operate more efficiently and safely, please select the correct dark shade number.
- The arc light must be visible completely by all arc sensors. If not, the ADF may struggle to detect an arc and may not activate the selected shade.
- Please use the automatic filter at a temperature between -5°C - 65°C.
- Do not disassemble the filter. If any problems arise, please contact your local UNIMIG service department.

## 6. Harness Operating Instructions

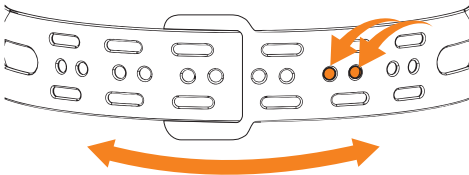


### 6.1 Neck Band Adjustment

To **tighten** the neck band, turn the neck band adjustment dial  clockwise .

To **loosen** the neck band, turn the neck band adjustment dial  anti-clockwise.

### 6.2 Head Strap Adjustment

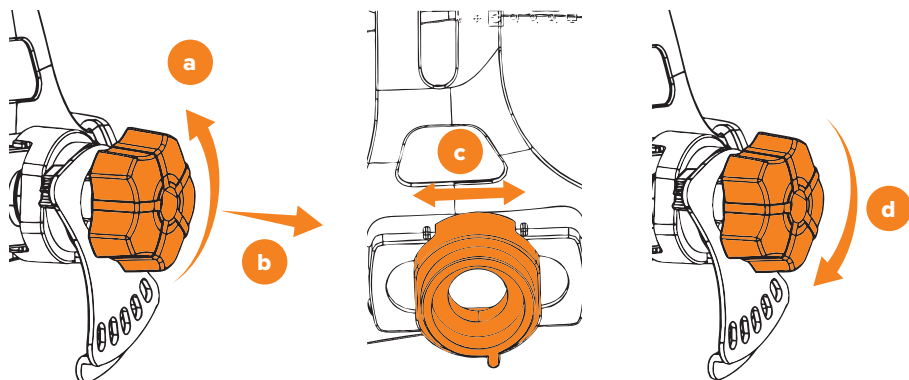


To adjust the head straps, first push the head strap lock out of the current position. Then adjust the strap to the desired length, and push the head strap lock into the corresponding position.

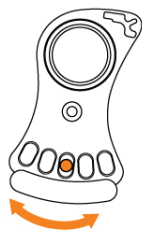
## 6.3 Distance Adjustment

- a. Loosen the adjustment knob fully and remove it so that the distance adjustment tab on the harness becomes accessible.
- b. Gently remove the distance adjustment tab from the harness.
- c. Align the distance adjustment tab with the guide buttons, adjusting it to your preferred length.
- d. Once aligned, secure the distance adjustment tab back onto the harness and fasten the adjustment knob securely in place.

Ensure that both sides are equally positioned for proper vision.



## 6.4 Angle Adjustment



There are 5 positions available to set the angle of the helmet. To adjust, lift and reposition the locking tab into the desired angle position.

## **7. Troubleshooting**

### **1. The ADF does not darken when welding**

- Stop welding or cutting immediately.
- Make sure the sensors are facing the arc and there are no obstructions.
- Check the mode is on WELD, not GRIND.
- Review sensitivity recommendations and adjust sensitivity if possible.

### **2. The ADF stays dark after welding or there is no arc present**

- Adjust the sensitivity to a lower level.
- If the worksite is too bright, it is recommended to reduce the surrounding light level.

### **3. The ADF switches during welding**

- Increase the sensitivity if possible.
- Make sure the sensors are facing the arc and there are no obstructions.
- Increasing Delay 0.1–0.3 seconds may also reduce switching.

## **8. Warranty**

UNIMIG Origin Series auto-darkening welding helmets are covered for warranty for up to two years from the date of purchase from authorised UNIMIG dealers. The duration of use depends on various factors such as use, cleaning storage and maintenance. Frequent inspections are recommended.

## 9. Shade Guide

### MMA/STICK

Current	Shade
<40A	9
40-60A	10
60-175A	11
175-300A	12
300-500A	13
>500A	14

### TIG

Current	Shade
<20A	9
20-40A	10
40-100A	11
100-175A	12
175-250A	13
>250A	14

### MIG

Current	Shade
<100A	10
100-175A	11
175-300A	12
300-500A	13
>500A	14

### Arc Gouging

Current	Shade
<175A	10
175-225A	11
225-275A	12
275-350A	13
350-450A	14
>450A	15

### MAG

Current	Shade
<60A	10
60-125A	11
125-175A	12
175-300A	13
300-500A	14
>500A	15

### Plasma Cutting

Current	Shade
<150A	11
150-250A	12
>250A	13

# UNIMIG

B U I L T F O R W E L D E R S

[unimig.com.au](http://unimig.com.au)

[f](#) [@](#) [v](#) [j](#) [@UNIMIG](#)

**HEAD OFFICE:**

112 Christina Rd,  
Villawood NSW 2163

PH: (02) 9780 4200  
FAX: (02) 9780 4210

E: [sales@unimig.com.au](mailto:sales@unimig.com.au)

**QLD OFFICE:**

19 Commerce Cct,  
Yatala QLD 4207

PH: (07) 3333 2855  
FAX: (07) 3274 5829

E: [qld@unimig.com.au](mailto:qld@unimig.com.au)

**VIC OFFICE:**

48-52 Micro Cct,  
Dandenong South VIC 3175

PH: (03) 8682 9911  
FAX: (03) 9333 7867

E: [sales@unimig.com.au](mailto:sales@unimig.com.au)

**WA OFFICE:**

26 Sustainable Ave,  
Bibra Lake WA 6163

PH: (08) 6363 5111  
FAX: (08) 9417 4781

E: [wasales@unimig.com.au](mailto:wasales@unimig.com.au)