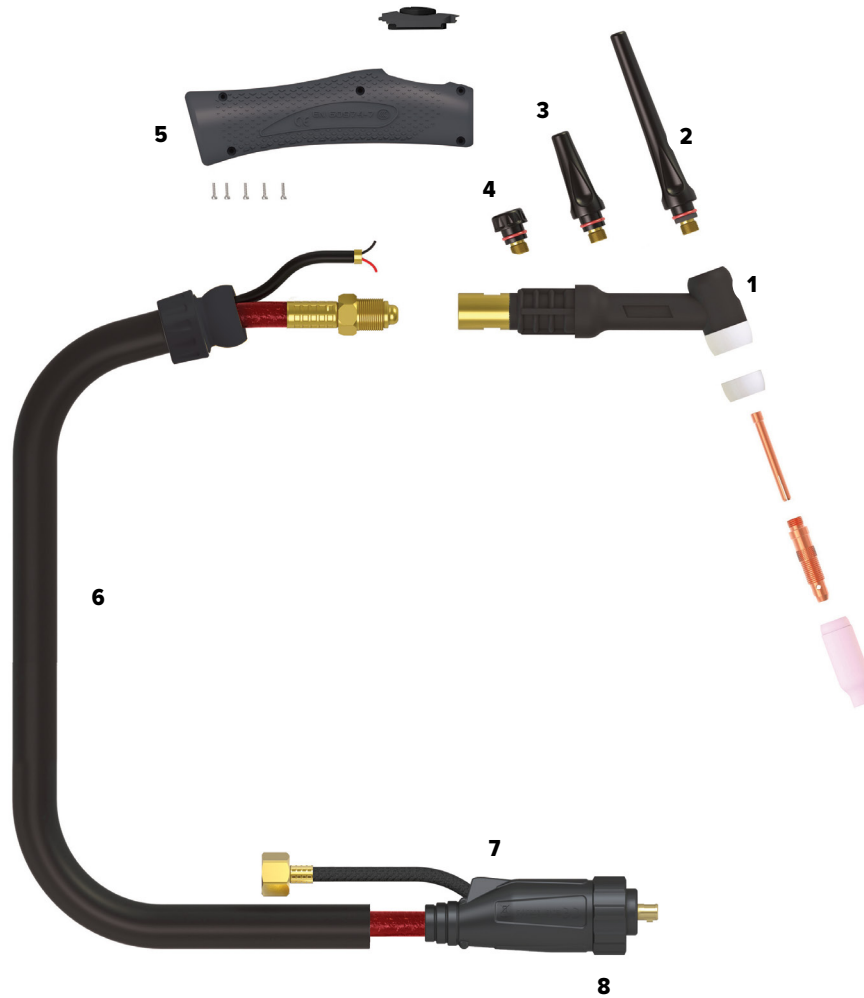


# 26V TIG Torch



Length	4m	8m
SKU	SR-26-4MCP50-1	SR-26-8MCP50

1	WP26	TORCH HEAD SUIT 26V
1	WP26F	TORCH HEAD FLEXIBLE SUIT 26V
2	P57Y02	LONG BACK CAP SUIT 17/18/26 QTY 2
3	P57Y03	MEDIUM BACK CAP 17/18/26 QTY 2
4	P57Y04	SHORT BACK CAP 17/18/26 QTY 2
5	UER1MS	MOMENTARY KIT
6	UERSWL4	TRIGGER LEAD 12.5FT
6	UERSWL8	TRIGGER LEAD 25FT
7	UERH200	LARGE ERGO TIG HANDLE
8	UERCO200-40	SHEATH X 12.5FT INC LEATHER COVER
9	ML3550H-L	"SURELOK" HOUSING LARGE
10	USL46V28AR	POWER CABLE X 12.5FT SURELOK
10	USL46V30AR	POWER CABLE X 25FT SURELOK

COOLING METHOD	Air-Cooled
DUTY CYCLE - DC	35% @ 180A
DUTY CYCLE - AC	35% @ 125A
DINSE SIZE	35/50
ELECTRODE SIZE	1.0-4.0mm
STANDARD	EN60974-7

# 26V TIG Torch Consumables

## Standard



### Insulator

<b>P18CG</b>	INSULATOR SUIT 17/18/26 QTY 2
--------------	-------------------------------

### Collet

<b>P10N22</b>	COLLET SUIT 17/18/26 1.0MM QTY 2
<b>P10N23</b>	COLLET SUIT 17/18/26 1.6MM QTY 2
<b>P10N24</b>	COLLET SUIT 17/18/26 2.4MM QTY 2
<b>P10N25</b>	COLLET SUIT 17/18/26 3.2MM QTY 2

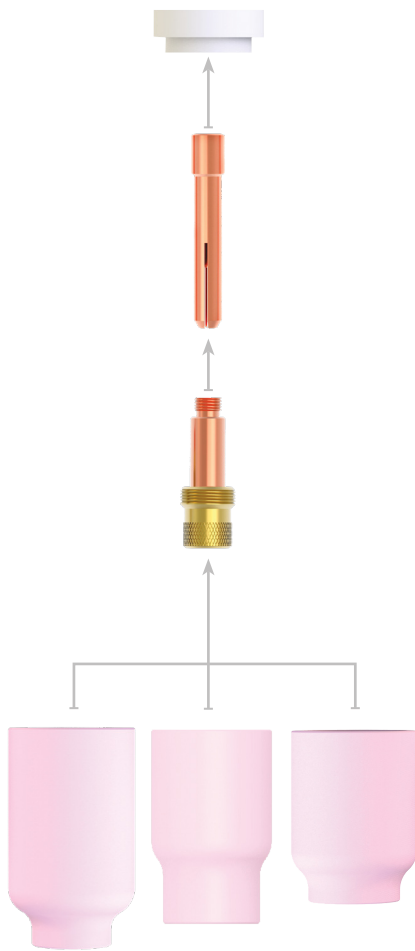
### Collet Body

<b>P10N30</b>	COLLET BODY SUIT 17/18/26 1.0MM QTY 2
<b>P10N31</b>	COLLET BODY SUIT 17/18/26 1.6MM QTY 2
<b>P10N32</b>	COLLET BODY SUIT 17/18/26 2.4MM QTY 2
<b>P10N28</b>	COLLET BODY SUIT 17/18/26 3.2MM QTY 2

### Ceramic Cup

<b>P10N50</b>	CERAMIC CUP SUIT 17/18/26 SIZE 4 QTY 2
<b>P10N49</b>	CERAMIC CUP SUIT 17/18/26 SIZE 5 QTY 2
<b>P10N48</b>	CERAMIC CUP SUIT 17/18/26 SIZE 6 QTY 2
<b>P10N47</b>	CERAMIC CUP SUIT 17/18/26 SIZE 7 QTY 2
<b>P10N46</b>	CERAMIC CUP SUIT 17/18/26 SIZE 8 QTY 2
<b>P10N45</b>	CERAMIC CUP SUIT 17/18/26 SIZE 10 QTY 2
<b>P10N44</b>	CERAMIC CUP SUIT 17/18/26 SIZE 12 QTY 2
<b>P10N44</b>	CERAMIC CUP SUIT 17/18/26 SIZE 12 QTY 2

## Gas Lens



### Insulator

<b>P54N01</b>	GAS LENS INSULATOR SUIT 17/18/26 QTY 2
---------------	--

### Collet

<b>P10N22</b>	COLLET SUIT 17/18/26 1.0MM QTY 2
<b>P10N23</b>	COLLET SUIT 17/18/26 1.6MM QTY 2
<b>P10N24</b>	COLLET SUIT 17/18/26 2.4MM QTY 2
<b>P10N25</b>	COLLET SUIT 17/18/26 3.2MM QTY 2

### Gas Lens

<b>P45V25</b>	GAS LENS SUIT 17/18/26 1.6MM QTY2
<b>P45V26</b>	GAS LENS SUIT 17/18/26 2.4MM QTY2
<b>P45V27</b>	GAS LENS SUIT 17/18/26 3.2MM QTY2

### Ceramic Cup

<b>P54N17</b>	GAS LENS CERAMIC CUP SUIT 17/18/26 SIZE 5 QTY 2
<b>P54N15</b>	GAS LENS CERAMIC CUP SUIT 17/18/26 SIZE 7 QTY 2
<b>P54N14</b>	GAS LENS CERAMIC CUP SUIT 17/18/26 SIZE 8 QTY 2

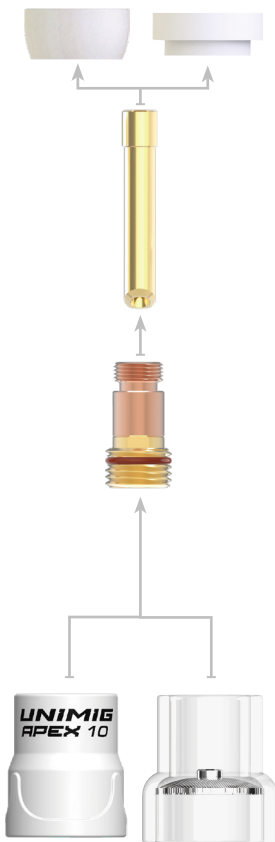
### Short Ceramic Cup

<b>P54N15SW</b>	GAS LENS CERAMIC CUP SHORT SUIT 17/18/26 SIZE 7 QTY 2
<b>P54N14SW</b>	GAS LENS CERAMIC CUP SHORT SUIT 17/18/26 SIZE 8 QTY 2
<b>P54N12SW</b>	GAS LENS CERAMIC CUP SHORT SUIT 17/18/26 SIZE 10 QTY 2

### Stubby Ceramic Cup

<b>P53N58</b>	GAS LENS CERAMIC CUP SUIT 9/17/18/20/26 SIZE 4 QTY 2
<b>P53N59</b>	GAS LENS CERAMIC CUP SUIT 9/17/18/20/26 SIZE 5 QTY 2
<b>P53N60</b>	GAS LENS CERAMIC CUP SUIT 9/17/18/20/26 SIZE 6 QTY 2
<b>P53N61</b>	GAS LENS CERAMIC CUP SUIT 9/17/18/20/26 SIZE 7 QTY 2
<b>P53N61S</b>	GAS LENS CERAMIC CUP SUIT 9/17/18/20/26 SIZE 8 QTY 2

## APEX



### Insulator

<b>USTB80300236</b>	INSULATOR QUARTZ SUIT 17/18/26 QTY 2
<b>P18CG</b>	INSULATOR CERAMIC SUIT 17/18/26 QTY 2

### Wedge Collet

<b>U11166</b>	WEDGE COLLET SUIT 17/18/26 1.6MM QTY 2
<b>U11167</b>	WEDGE COLLET SUIT 17/18/26 2.4MM QTY 2
<b>U11168</b>	WEDGE COLLET SUIT 17/18/26 3.2MM QTY 2

### Stubby Gas Lens

<b>U11187</b>	GAS LENS BODY STUBBY WITH O RING SUIT 17/18/26 1.6MM QTY 2
<b>U11188</b>	GAS LENS BODY STUBBY WITH O RING SUIT 17/18/26 2.4MM QTY 2
<b>U11189</b>	GAS LENS BODY STUBBY WITH O RING SUIT 17/18/26 3.2MM QTY 2
<b>U42029</b>	SILICONE RUBBER O-RING SUIT APEX QTY 5

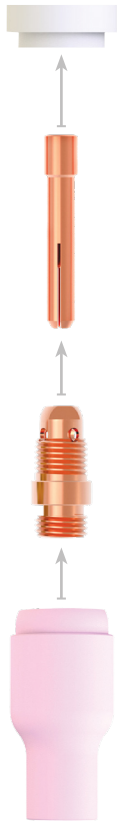
### Ceramic Cup

<b>U42020</b>	CERAMIC CUP APEX10 SUIT 9/17/18/20/26 SIZE 10 QTY 1
<b>U42021</b>	CERAMIC CUP APEX12 SUIT 9/17/18/20/26 SIZE 12 QTY 1
<b>U42022</b>	CERAMIC CUP APEX14 SUIT 9/17/18/20/26 SIZE 14 QTY 1
<b>U42023</b>	CERAMIC CUP APEX19 SUIT 9/17/18/20/26 SIZE 19 QTY 1
<b>U11017</b>	FILTER SCREEN KIT APEX10 1.6MM, 2.4MM, 3.2MM QTY 1
<b>U11018</b>	FILTER SCREEN KIT APEX12 1.6MM, 2.4MM, 3.2MM QTY 1
<b>U11019</b>	FILTER SCREEN KIT APEX14 1.6MM, 2.4MM, 3.2MM QTY 1
<b>U11020</b>	FILTER SCREEN KIT APEX19 1.6MM, 2.4MM, 3.2MM QTY 1

### Quartz Cup

<b>U42024</b>	QUARTZ CUP APEX12 SUIT 9/17/18/20/26 SIZE 12 QTY 1
<b>U42025</b>	QUARTZ CUP APEX19 SUIT 9/17/18/20/26 SIZE 19 QTY 1

**Stubby**



**Insulator**

<b>USTB80300236</b>	STUBBY GAS LENS INSULATOR SUIT 17/18/26 QTY 2
---------------------	---

**Collet**

<b>P10N22S</b>	COLLET STUBBY SUIT 17/18/26 1.0MM QTY 2
<b>P10N23S</b>	COLLET STUBBY SUIT 17/18/26 1.6MM QTY 2
<b>P10N24S</b>	COLLET STUBBY SUIT 17/18/26 2.4MM QTY 2
<b>P10N25S</b>	COLLET STUBBY SUIT 17/18/26 3.2MM QTY 2

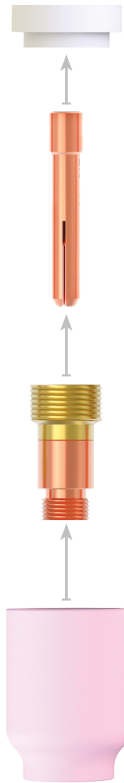
**Collet Body**

<b>P17CB20</b>	COLLET BODY STUBBY SUIT 17/18/26 QTY 2
----------------	--

**Ceramic Cup**

<b>P13N08</b>	CERAMIC CUP SUIT 9/20 SIZE 4 QTY 2
<b>P13N09</b>	CERAMIC CUP SUIT 9/20 SIZE 5 QTY 2
<b>P13N10</b>	CERAMIC CUP SUIT 9/20 SIZE 6 QTY 2
<b>P13N11</b>	CERAMIC CUP SUIT 9/20 SIZE 7 QTY 2
<b>P13N12</b>	CERAMIC CUP SUIT 9/20 SIZE 8 QTY 2
<b>P13N13</b>	CERAMIC CUP SUIT 9/20 SIZE 10 QTY 2

## Stubby Gas Lens



### Insulator

<b>USTB80300236</b>	STUBBY GAS LENS INSULATOR SUIT 17/18/26 QTY 2
---------------------	---

### Collet

<b>PSTB13N22</b>	GAS LENS COLLET STUBBY SUIT 17/18/26 1.6MM QTY 2
<b>PSTB13N23</b>	GAS LENS COLLET STUBBY SUIT 17/18/26 2.4MM QTY 2

### Collet Body

<b>PSTB45V43</b>	GAS LENS BODY STUBBY SUIT 17/18/26 1.6MM QTY 2
<b>PSTB45V44</b>	GAS LENS BODY STUBBY SUIT 17/18/26 2.4MM QTY 2
<b>PSTB45V45</b>	GAS LENS BODY STUBBY SUIT 17/18/26 3.2MM QTY 2

### Ceramic Cup

<b>P53N58</b>	GAS LENS CERAMIC CUP SUIT 9/17/18/20/26 SIZE 4 QTY 2
<b>P53N59</b>	GAS LENS CERAMIC CUP SUIT 9/17/18/20/26 SIZE 5 QTY 2
<b>P53N60</b>	GAS LENS CERAMIC CUP SUIT 9/17/18/20/26 SIZE 6 QTY 2
<b>P53N61</b>	GAS LENS CERAMIC CUP SUIT 9/17/18/20/26 SIZE 7 QTY 2
<b>P53N61S</b>	GAS LENS CERAMIC CUP SUIT 9/17/18/20/26 SIZE 8 QTY 2