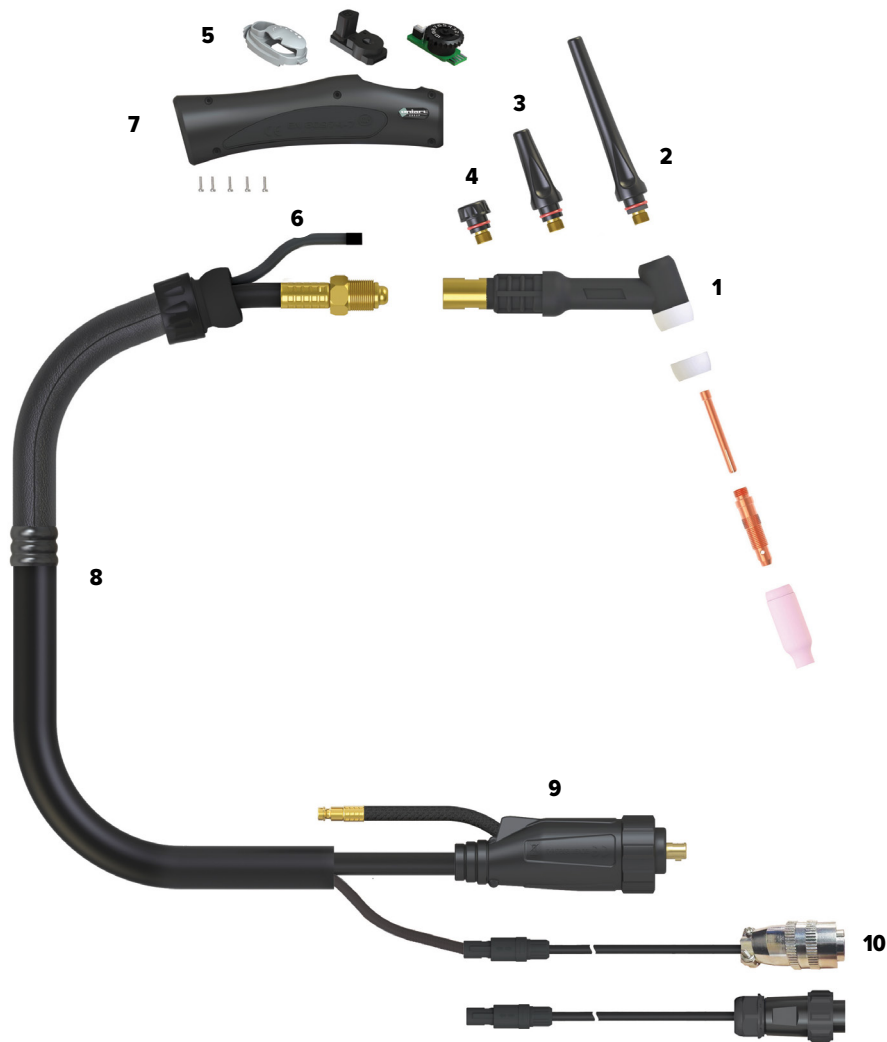


SR26 TIG Torch



Length	4m	8m
SKU	SR-26-4MCP50-1	SR-26-8MCP50

1	WP26	TORCH HEAD SUIT SR26
1	WP26F	TORCH HEAD FLEXIBLE SUIT SR26
2	P57Y02	LONG BACK CAP SUIT 17/18/26 QTY 2
3	P57Y03	MEDIUM BACK CAP SUIT 17/18/26 QTY 2
4	P57Y04	SHORT BACK CAP SUIT 17/18/26 QTY 2
5	UER1MS	TIG TORCH SWITCH SINGLE BUTTON SUIT SR
6	UERSWL4	TRIGGER LEAD 12.5FT
6	UERSWL8	TRIGGER LEAD 25FT
7	UERH200	LARGE ERGO TIG HANDLE
8	UERCO200-40	SHEATH X 12.5FT INC LEATHER COVER
9	ML3550H-L	"SURELOK" HOUSING LARGE
10	USL46V28AR	POWER CABLE X 12.5FT SURELOK
10	USL46V30AR	POWER CABLE X 25FT SURELOK

COOLING METHOD	Air-Cooled
DUTY CYCLE - DC	35% @ 180A
DUTY CYCLE - AC	35% @ 125A
DINSE SIZE	35/50
ELECTRODE SIZE	1.0-4.0mm
STANDARD	EN60974-7

SR26 TIG Torch Consumables

Standard



Insulator

P18CG	INSULATOR SUIT 17/18/26 QTY 2
--------------	-------------------------------

Collet

P10N22	COLLET SUIT 17/18/26 1.0MM QTY 2
P10N23	COLLET SUIT 17/18/26 1.6MM QTY 2
P10N24	COLLET SUIT 17/18/26 2.4MM QTY 2
P10N25	COLLET SUIT 17/18/26 3.2MM QTY 2

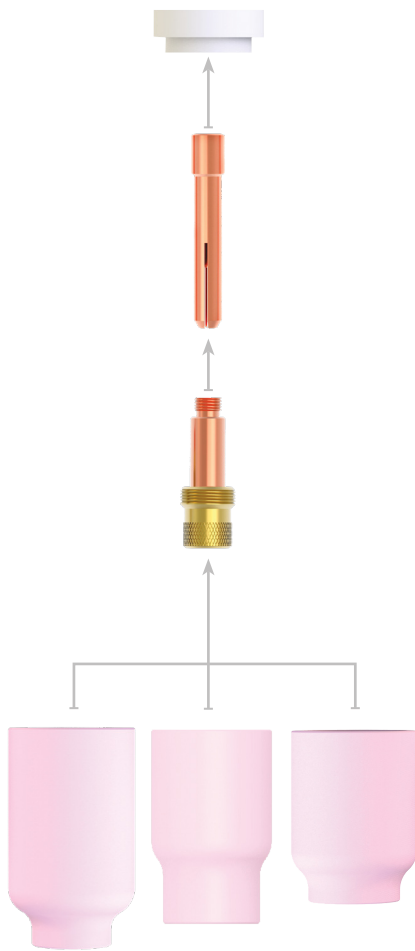
Collet Body

P10N30	COLLET BODY SUIT 17/18/26 1.0MM QTY 2
P10N31	COLLET BODY SUIT 17/18/26 1.6MM QTY 2
P10N32	COLLET BODY SUIT 17/18/26 2.4MM QTY 2
P10N28	COLLET BODY SUIT 17/18/26 3.2MM QTY 2

Ceramic Cup

P10N50	CERAMIC CUP SUIT 17/18/26 SIZE 4 QTY 2
P10N49	CERAMIC CUP SUIT 17/18/26 SIZE 5 QTY 2
P10N48	CERAMIC CUP SUIT 17/18/26 SIZE 6 QTY 2
P10N47	CERAMIC CUP SUIT 17/18/26 SIZE 7 QTY 2
P10N46	CERAMIC CUP SUIT 17/18/26 SIZE 8 QTY 2
P10N45	CERAMIC CUP SUIT 17/18/26 SIZE 10 QTY 2
P10N44	CERAMIC CUP SUIT 17/18/26 SIZE 12 QTY 2
P10N44	CERAMIC CUP SUIT 17/18/26 SIZE 12 QTY 2

Gas Lens



Insulator

P54N01	GAS LENS INSULATOR SUIT 17/18/26 QTY 2
---------------	--

Collet

P10N22	COLLET SUIT 17/18/26 1.0MM QTY 2
P10N23	COLLET SUIT 17/18/26 1.6MM QTY 2
P10N24	COLLET SUIT 17/18/26 2.4MM QTY 2
P10N25	COLLET SUIT 17/18/26 3.2MM QTY 2

Gas Lens

P45V25	GAS LENS SUIT 17/18/26 1.6MM QTY2
P45V26	GAS LENS SUIT 17/18/26 2.4MM QTY2
P45V27	GAS LENS SUIT 17/18/26 3.2MM QTY2

Ceramic Cup

P54N17	GAS LENS CERAMIC CUP SUIT 17/18/26 SIZE 5 QTY 2
P54N15	GAS LENS CERAMIC CUP SUIT 17/18/26 SIZE 7 QTY 2
P54N14	GAS LENS CERAMIC CUP SUIT 17/18/26 SIZE 8 QTY 2

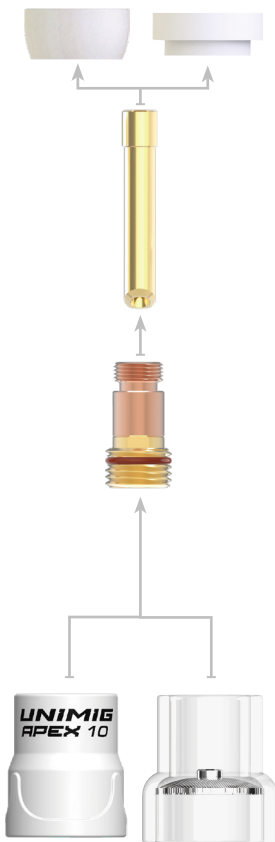
Short Ceramic Cup

P54N15SW	GAS LENS CERAMIC CUP SHORT SUIT 17/18/26 SIZE 7 QTY 2
P54N14SW	GAS LENS CERAMIC CUP SHORT SUIT 17/18/26 SIZE 8 QTY 2
P54N12SW	GAS LENS CERAMIC CUP SHORT SUIT 17/18/26 SIZE 10 QTY 2

Stubby Ceramic Cup

P53N58	GAS LENS CERAMIC CUP SUIT 9/17/18/20/26 SIZE 4 QTY 2
P53N59	GAS LENS CERAMIC CUP SUIT 9/17/18/20/26 SIZE 5 QTY 2
P53N60	GAS LENS CERAMIC CUP SUIT 9/17/18/20/26 SIZE 6 QTY 2
P53N61	GAS LENS CERAMIC CUP SUIT 9/17/18/20/26 SIZE 7 QTY 2
P53N61S	GAS LENS CERAMIC CUP SUIT 9/17/18/20/26 SIZE 8 QTY 2

APEX



Insulator

USTB80300236	INSULATOR QUARTZ SUIT 17/18/26 QTY 2
P18CG	INSULATOR CERAMIC SUIT 17/18/26 QTY 2

Wedge Collet

U11166	WEDGE COLLET SUIT 17/18/26 1.6MM QTY 2
U11167	WEDGE COLLET SUIT 17/18/26 2.4MM QTY 2
U11168	WEDGE COLLET SUIT 17/18/26 3.2MM QTY 2

Stubby Gas Lens

U11187	GAS LENS BODY STUBBY WITH O RING SUIT 17/18/26 1.6MM QTY 2
U11188	GAS LENS BODY STUBBY WITH O RING SUIT 17/18/26 2.4MM QTY 2
U11189	GAS LENS BODY STUBBY WITH O RING SUIT 17/18/26 3.2MM QTY 2
U42029	SILICONE RUBBER O-RING SUIT APEX QTY 5

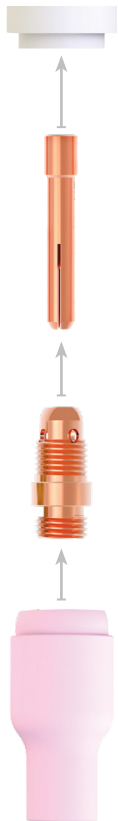
Ceramic Cup

U42020	CERAMIC CUP APEX10 SUIT 9/17/18/20/26 SIZE 10 QTY 1
U42021	CERAMIC CUP APEX12 SUIT 9/17/18/20/26 SIZE 12 QTY 1
U42022	CERAMIC CUP APEX14 SUIT 9/17/18/20/26 SIZE 14 QTY 1
U42023	CERAMIC CUP APEX19 SUIT 9/17/18/20/26 SIZE 19 QTY 1
U11017	FILTER SCREEN KIT APEX10 1.6MM, 2.4MM, 3.2MM QTY 1
U11018	FILTER SCREEN KIT APEX12 1.6MM, 2.4MM, 3.2MM QTY 1
U11019	FILTER SCREEN KIT APEX14 1.6MM, 2.4MM, 3.2MM QTY 1
U11020	FILTER SCREEN KIT APEX19 1.6MM, 2.4MM, 3.2MM QTY 1

Quartz Cup

U42024	QUARTZ CUP APEX12 SUIT 9/17/18/20/26 SIZE 12 QTY 1
U42025	QUARTZ CUP APEX19 SUIT 9/17/18/20/26 SIZE 19 QTY 1

Stubby



Insulator

USTB80300236	STUBBY GAS LENS INSULATOR SUIT 17/18/26 QTY 2
---------------------	---

Collet

P10N22S	COLLET STUBBY SUIT 17/18/26 1.0MM QTY 2
P10N23S	COLLET STUBBY SUIT 17/18/26 1.6MM QTY 2
P10N24S	COLLET STUBBY SUIT 17/18/26 2.4MM QTY 2
P10N25S	COLLET STUBBY SUIT 17/18/26 3.2MM QTY 2

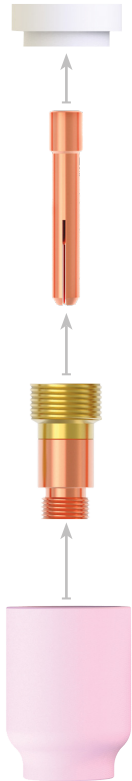
Collet Body

P17CB20	COLLET BODY STUBBY SUIT 17/18/26 QTY 2
----------------	--

Ceramic Cup

P13N08	CERAMIC CUP SUIT 9/20 SIZE 4 QTY 2
P13N09	CERAMIC CUP SUIT 9/20 SIZE 5 QTY 2
P13N10	CERAMIC CUP SUIT 9/20 SIZE 6 QTY 2
P13N11	CERAMIC CUP SUIT 9/20 SIZE 7 QTY 2
P13N12	CERAMIC CUP SUIT 9/20 SIZE 8 QTY 2
P13N13	CERAMIC CUP SUIT 9/20 SIZE 10 QTY 2

Stubby Gas Lens



Insulator

USTB80300236	STUBBY GAS LENS INSULATOR SUIT 17/18/26 QTY 2
---------------------	---

Collet

PSTB13N21	GAS LENS COLLET STUBBY SUIT 17/18/26 1.0MM QTY 2
PSTB13N22	GAS LENS COLLET STUBBY SUIT 17/18/26 1.6MM QTY 2
PSTB13N23	GAS LENS COLLET STUBBY SUIT 17/18/26 2.4MM QTY 2

Collet Body

PSTB45V43	GAS LENS BODY STUBBY SUIT 17/18/26 1.6MM QTY 2
PSTB45V44	GAS LENS BODY STUBBY SUIT 17/18/26 2.4MM QTY 2
PSTB45V45	GAS LENS BODY STUBBY SUIT 17/18/26 3.2MM QTY 2

Ceramic Cup

P53N58	GAS LENS CERAMIC CUP SUIT 9/17/18/20/26 SIZE 4 QTY 2
P53N59	GAS LENS CERAMIC CUP SUIT 9/17/18/20/26 SIZE 5 QTY 2
P53N60	GAS LENS CERAMIC CUP SUIT 9/17/18/20/26 SIZE 6 QTY 2
P53N61	GAS LENS CERAMIC CUP SUIT 9/17/18/20/26 SIZE 7 QTY 2
P53N61S	GAS LENS CERAMIC CUP SUIT 9/17/18/20/26 SIZE 8 QTY 2